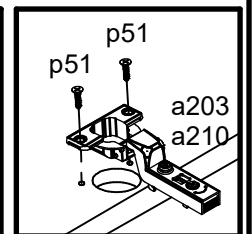
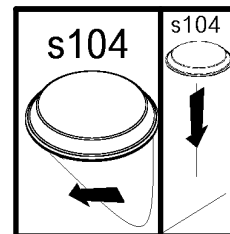
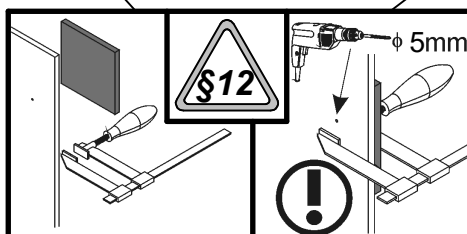
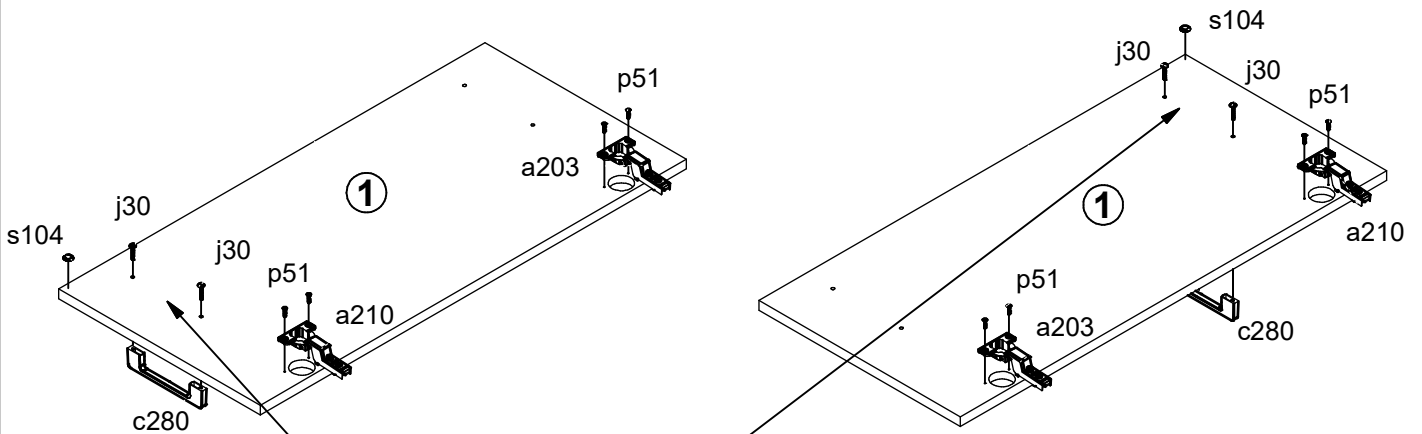
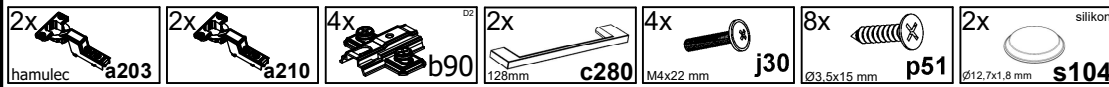
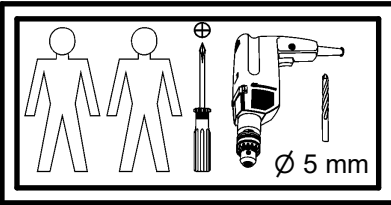
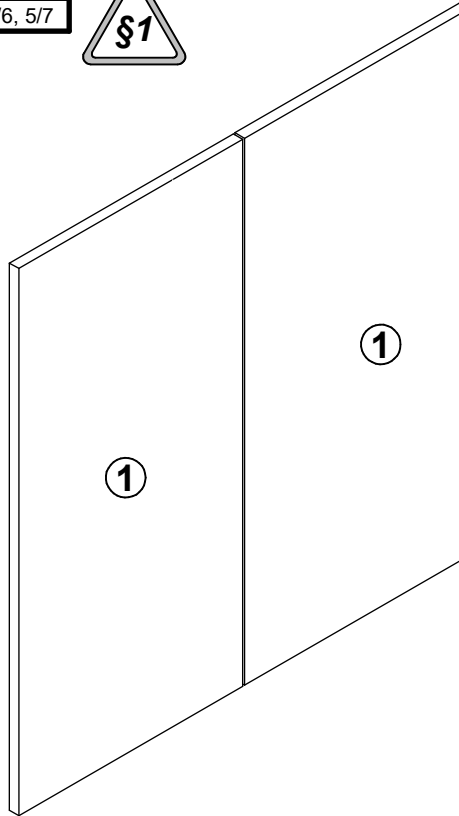
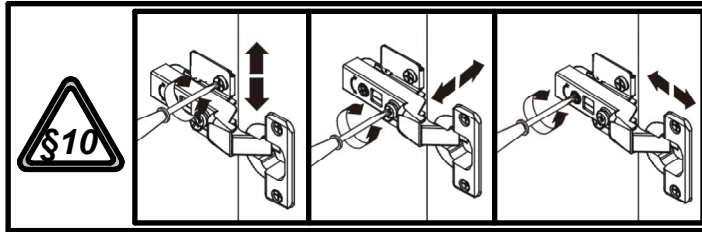
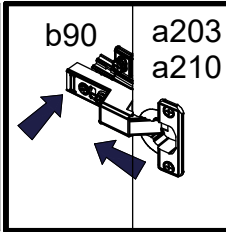
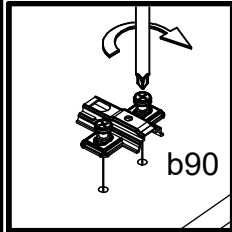
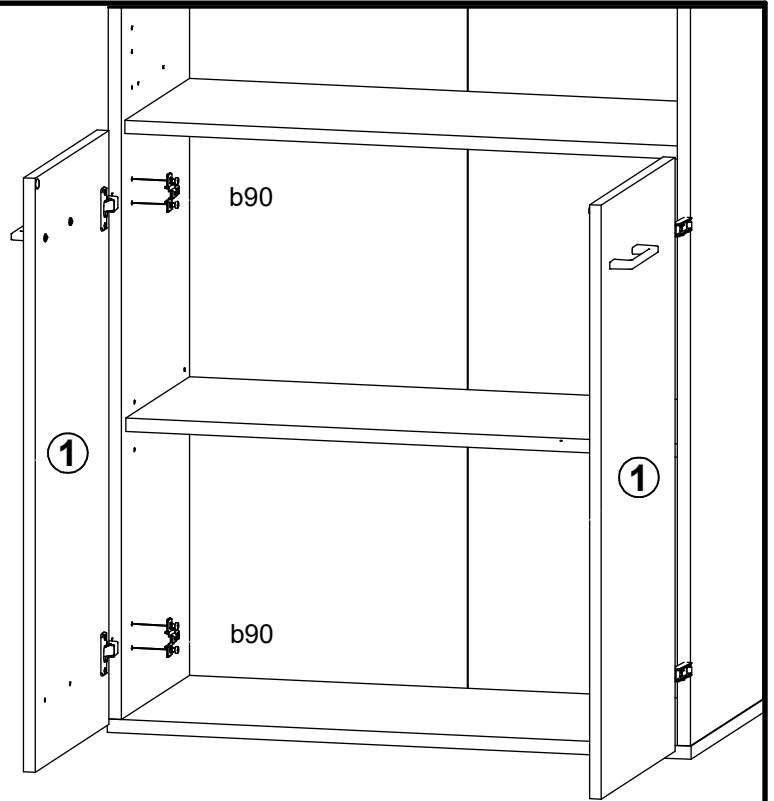
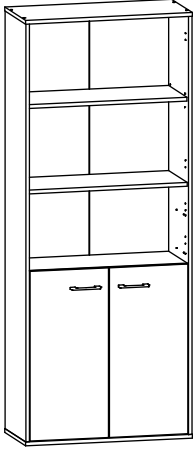


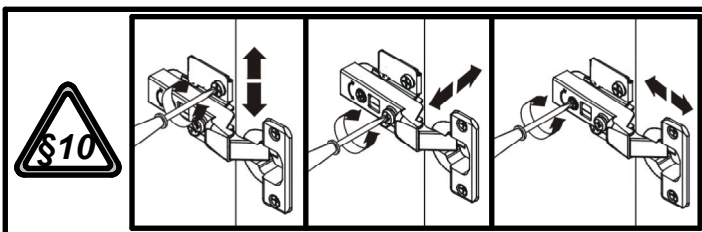
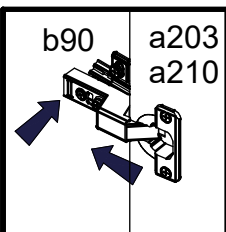
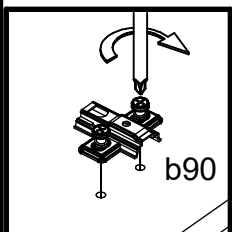
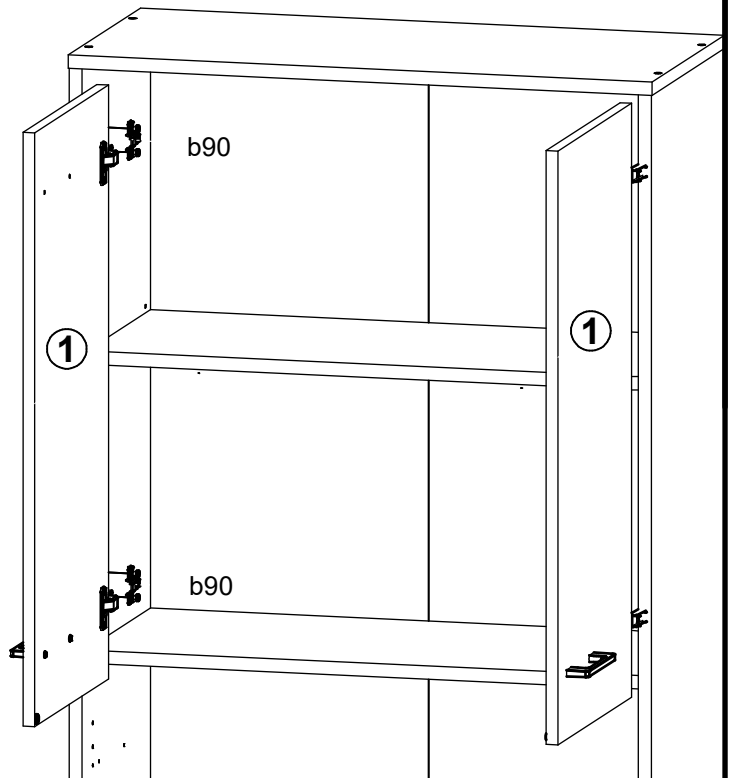
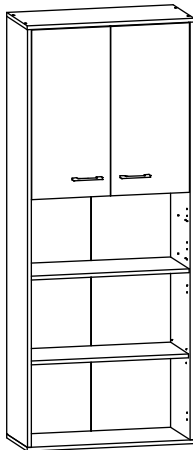
A	B	C	D
1	S479-0001	798	377
3/4, 3/5, 3/6, 3/7, 5/6, 5/7			



# 2A



# 2B



# 2C

