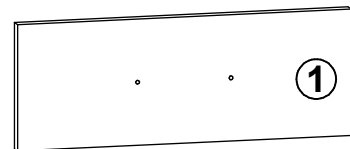
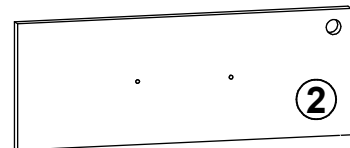
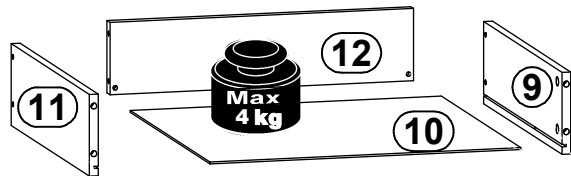
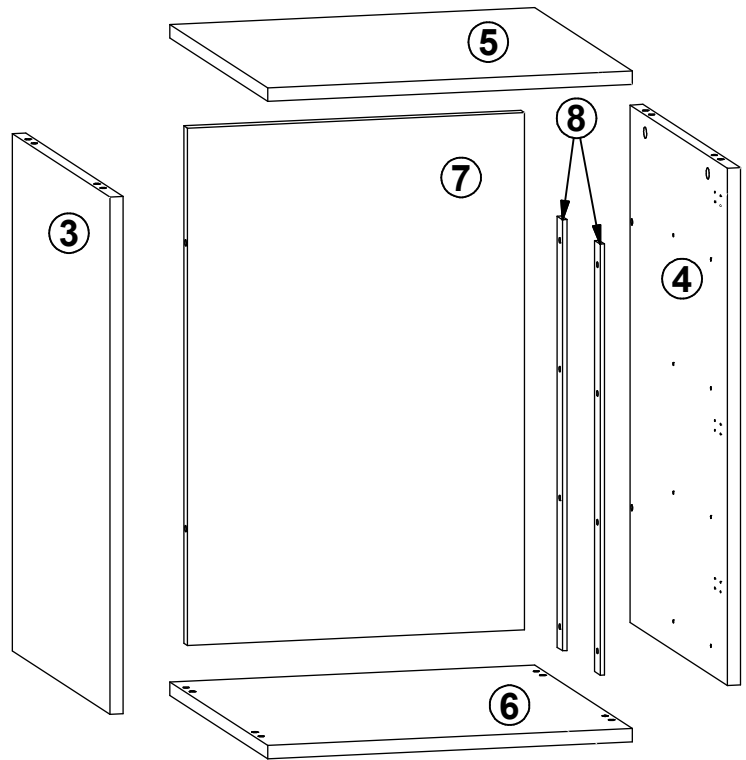
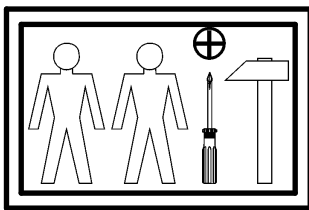
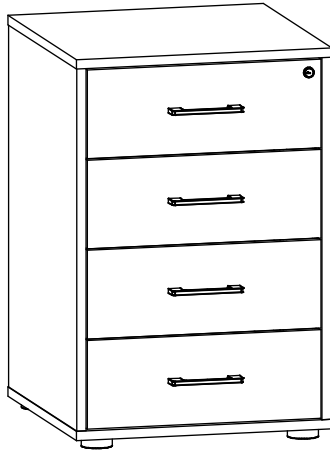
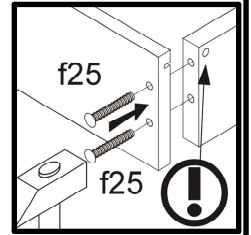
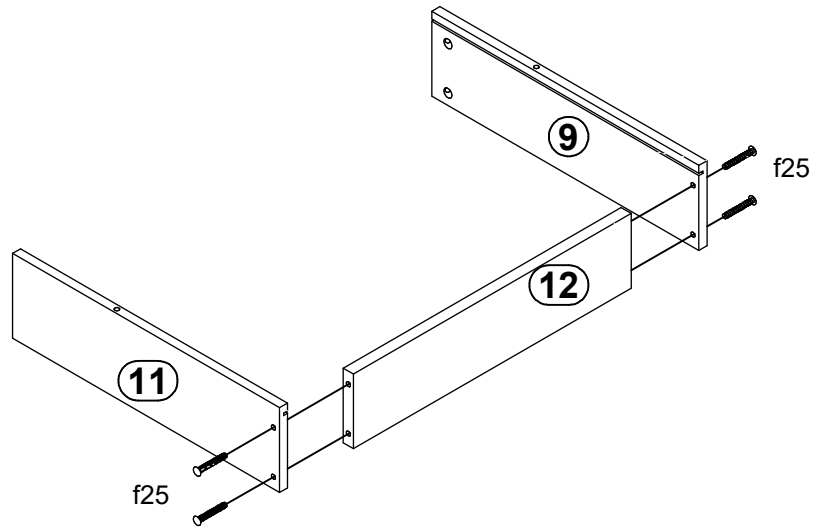


A	B	C	D	
1	S479-0013	457	170	1/2
2	S479-0014	457	170	1/2
3	S479-1017	695	499	1/2
4	S479-1018	695	499	1/2
5	S479-2015	500	500	1/2
6	S479-2016	500	500	1/2
7	S479-4005	695	462	1/2
8	S479-4006	579	28	1/2
9	S479-5002	400	110	1/2
10	S479-9002	426	407	1/2
11	ZQ6-521	400	110	1/2
12	ZQ6-5224	416	97	1/2

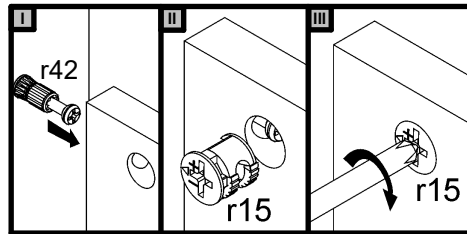
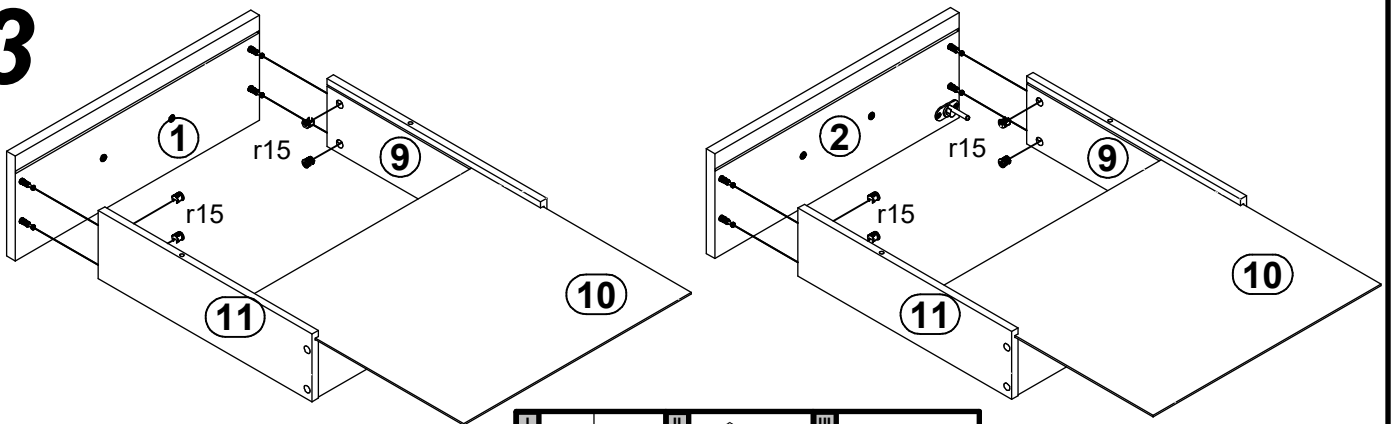


4x 128mm c280	4x Ø7x50 mm e1	8x Ø6x20 mm e20	16x Ø6x13 mm e3	12x Ø8x30 mm f1	16x Ø6.5x40 mm f25	8x M4x22 mm j30	4x Ø51 mm k82 1	4x Ø58,6x52 118 mm k82 4
2x Ø3,5x13 mm p1	12x Ø3,5x16 mm p38	8x Ø3,5x9,5 mm p44	12x Ø3,5x13 mm p27	8x Ø2,9x16 mm p55	4x Ø15x12 mm #16 r1	16x Ø12x10,5 mm #12 20/11 r15	20x r42	4x 400 mm w75 L
4x 400 mm w75 P	1x 4 mm z1	1x 2 mm z27	1x z45 1	1x L-600 z45 3	4x z45 4	3x z45 5	4x z45 6	

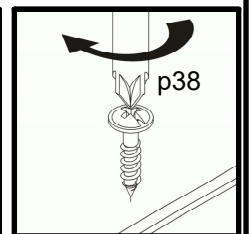
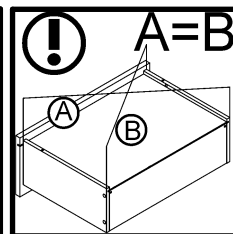
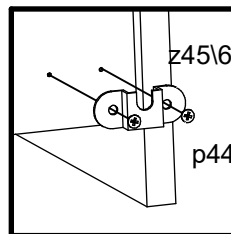
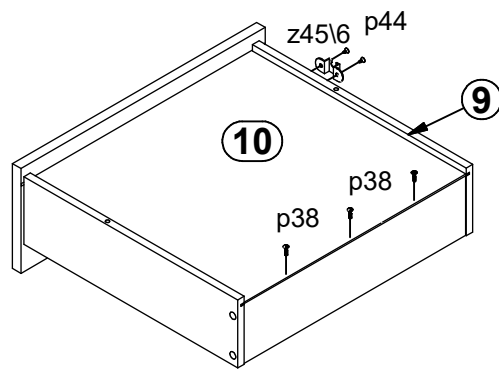
2



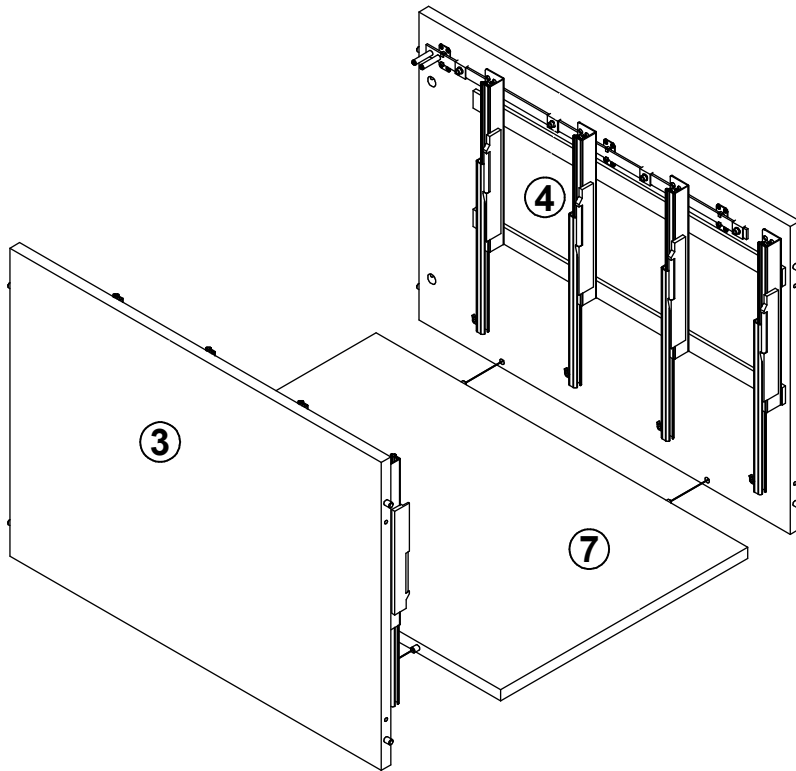
3



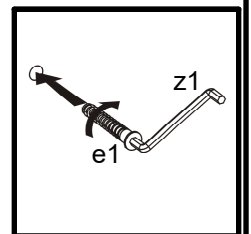
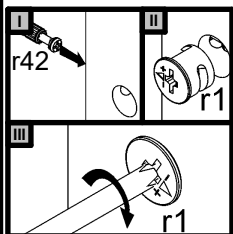
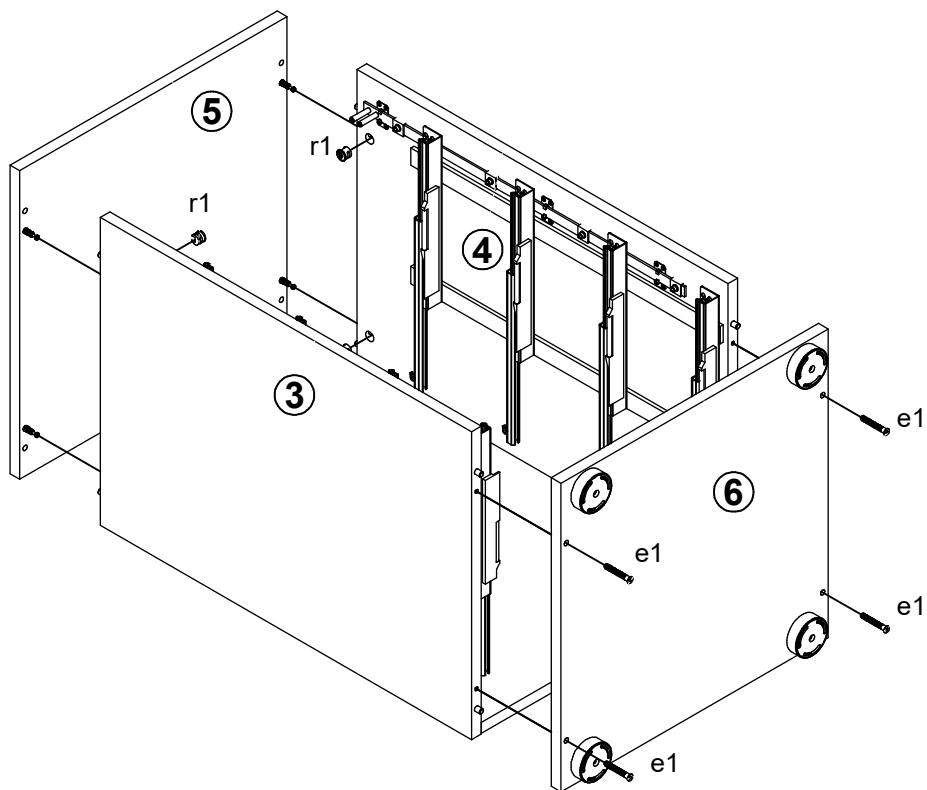
4



5



6



7

