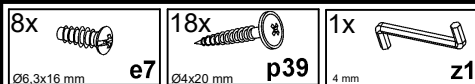
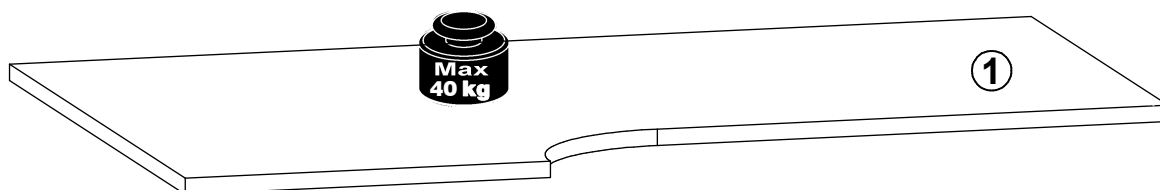
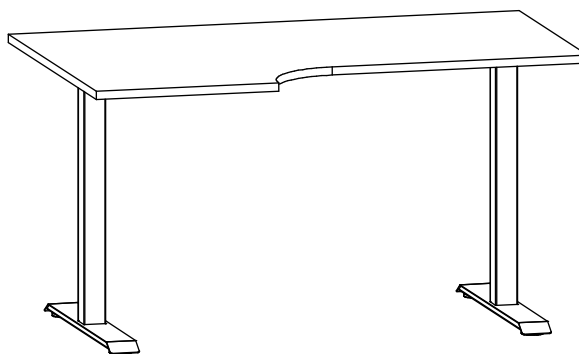
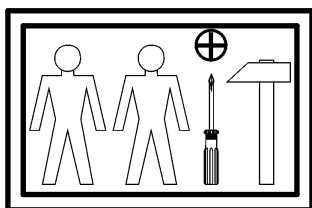
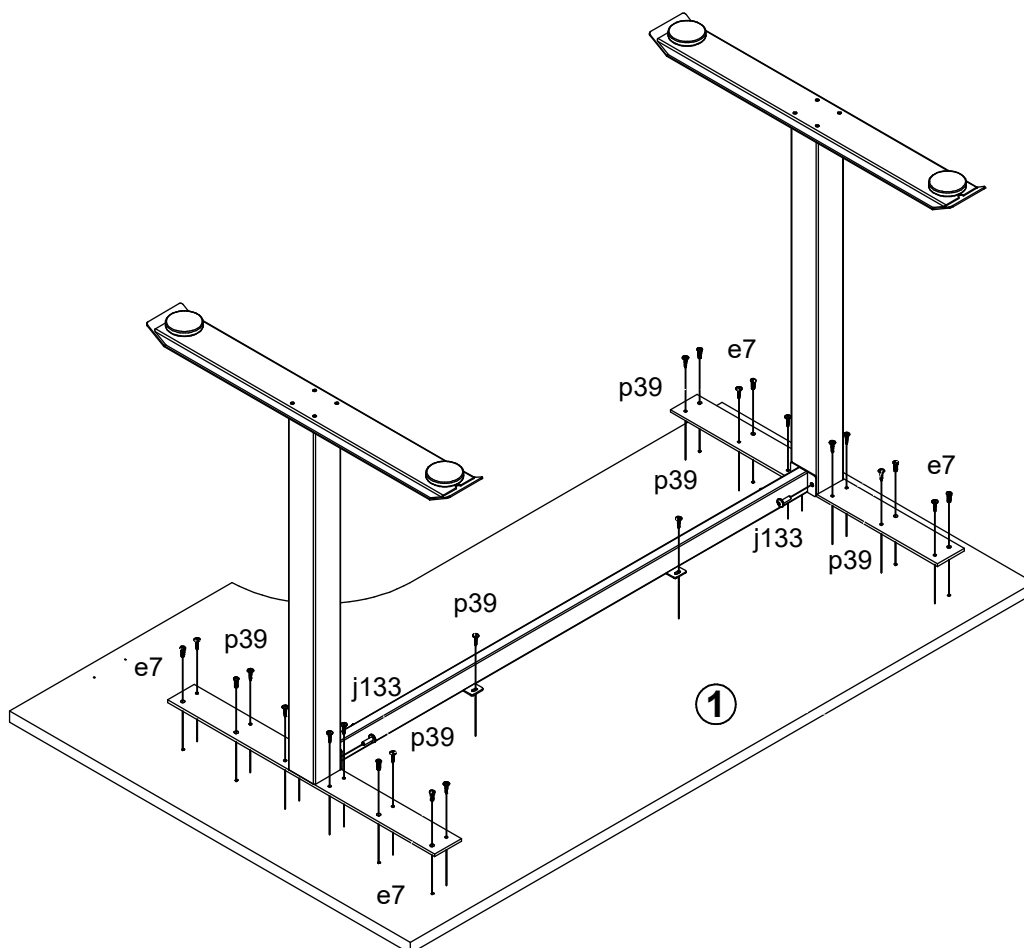


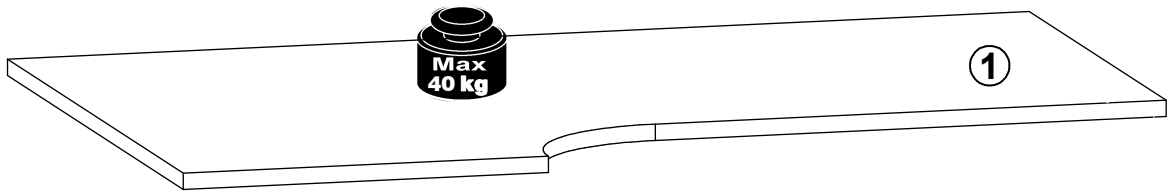
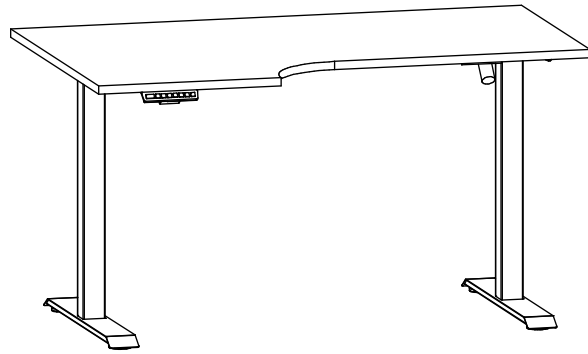
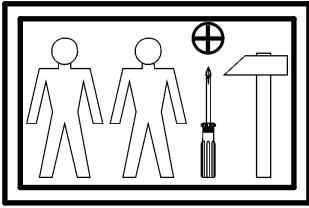
A**OFFICE SPACE****S479-BIU/140/90/A/L**

A	B	C	D
1	S479-2017	1400	900
			1/3

**1**

A**OFFICE SPACE****S479-BIU/140/90/B/L**

A	B	C	D
1	S479-2017	1400	900 1/2



8x Ø6.3x16 mm e7	4x Ø4x20 mm p39	2x Ø4x16 mm p131
------------------------	-----------------------	------------------------

1