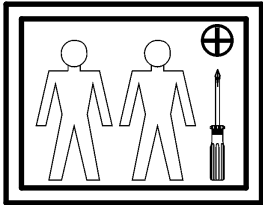
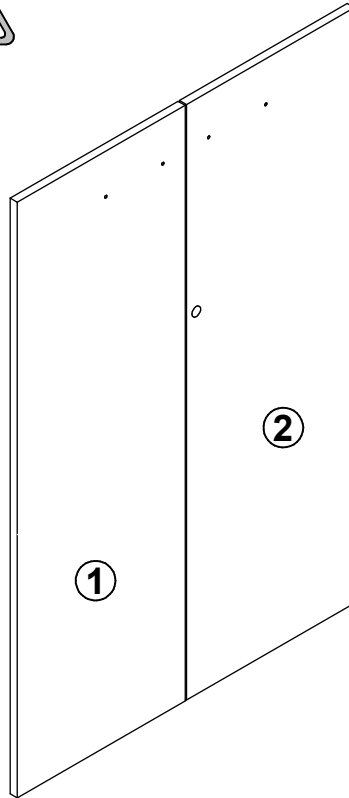


**A**

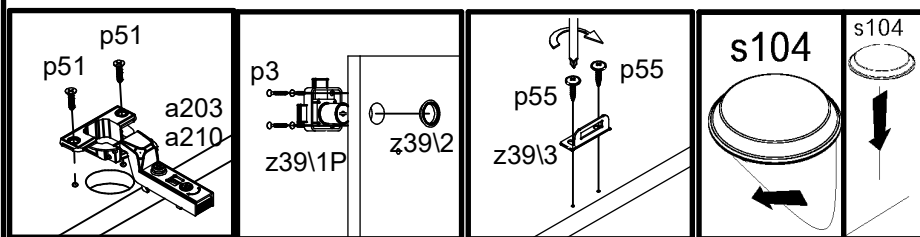
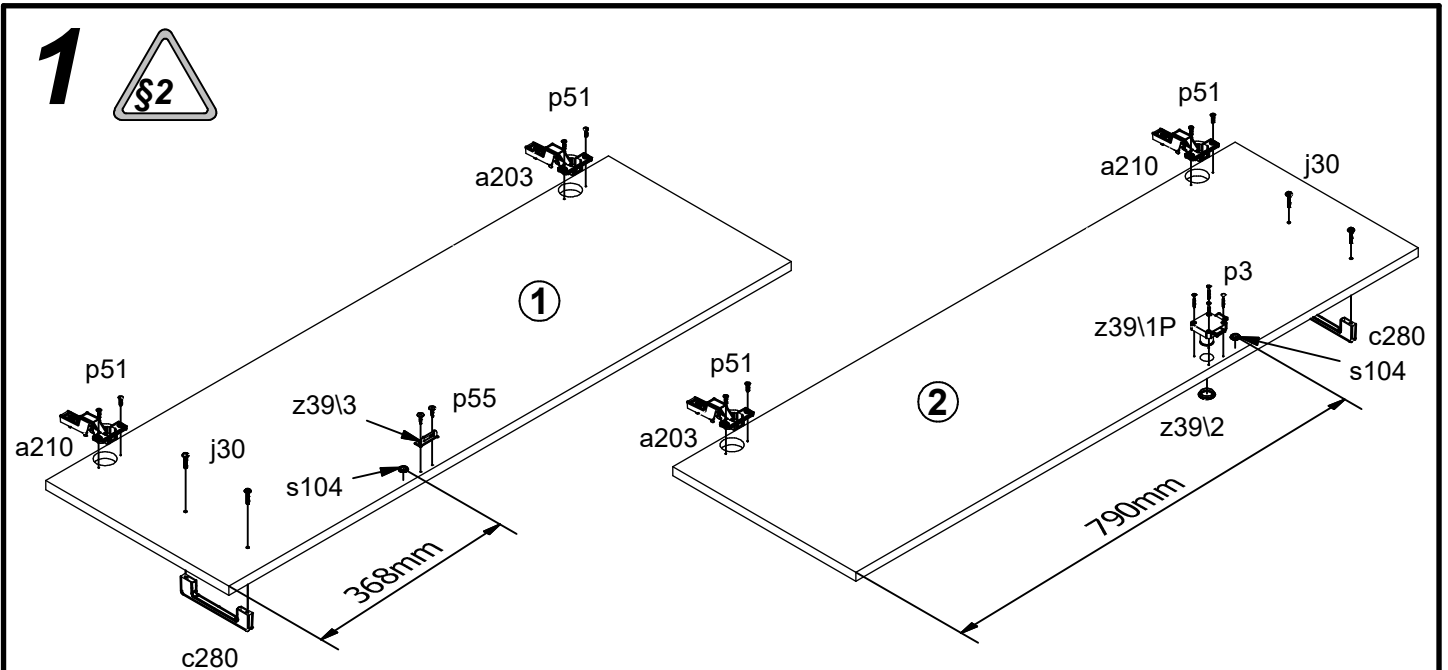
# OFFICE SPACE

**S479-FR\_120\_Z**

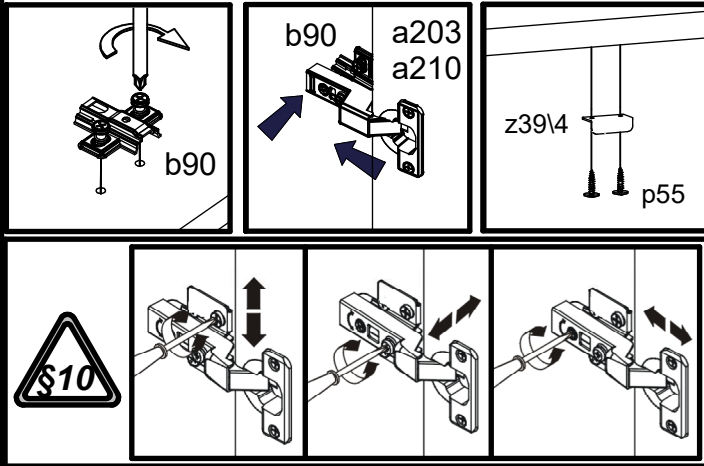
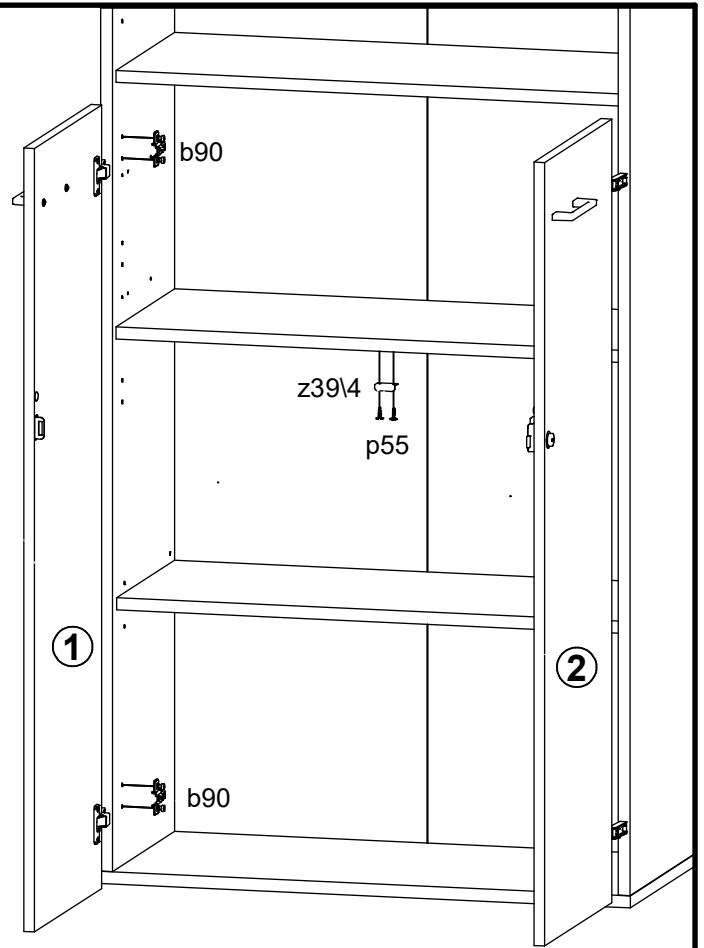
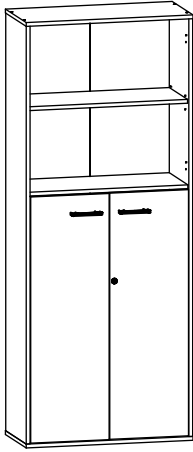
A	B	C	D	
1	S479-0007	1158	377	2/3, 3/4, 5/6
2	S479-0008	1158	377	2/3, 3/4, 5/6



2x hamulec a203	2x a210	4x b90	2x 128mm c280	4x M4x22 mm j30	4x Ø3x20 mm p14	8x Ø3.5x15 mm p51	4x Ø2.9x16 mm p55	1x zamek prawy z39\1P
1x z39\2	1x z39\3	1x z39\4	2x z39\5	2x silikon s104				



# 2A



# 2B

