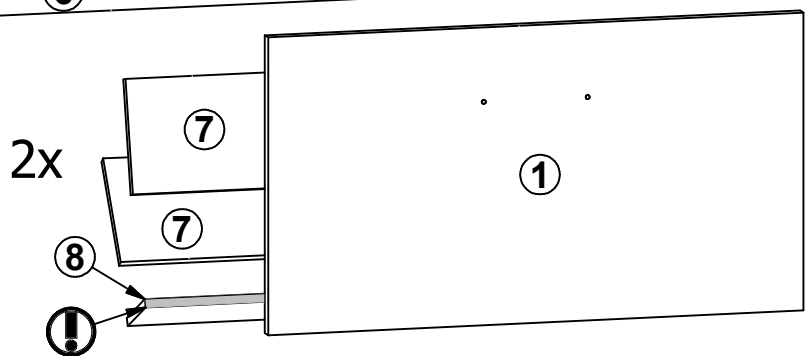
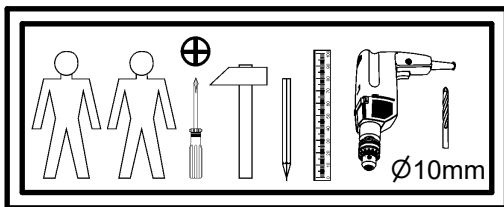
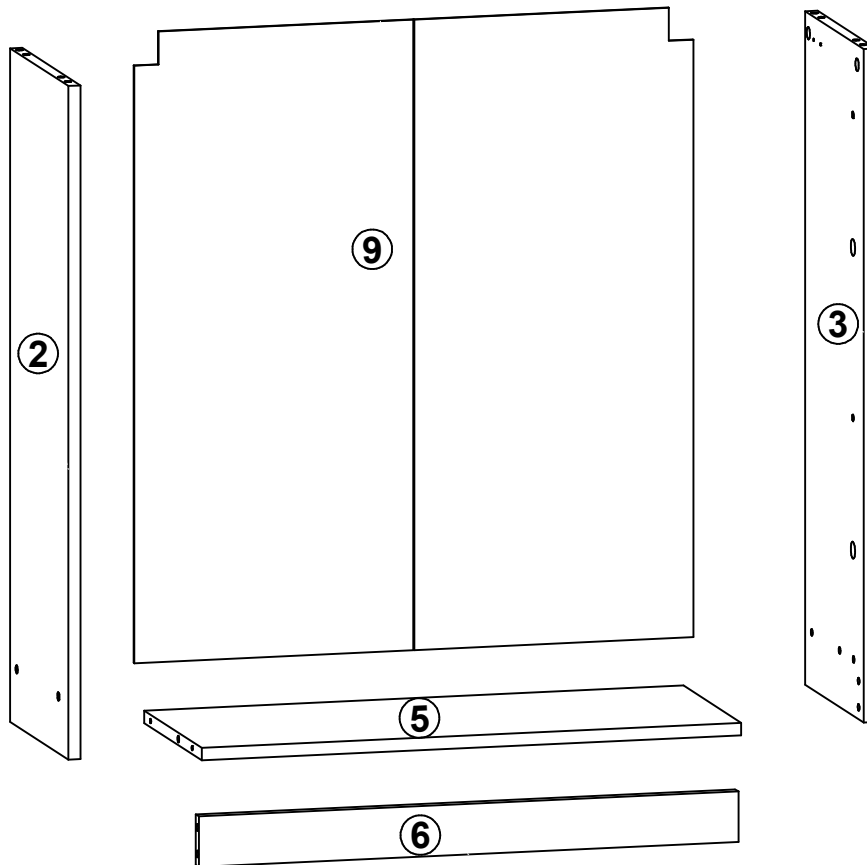
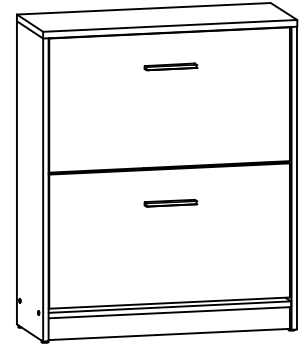
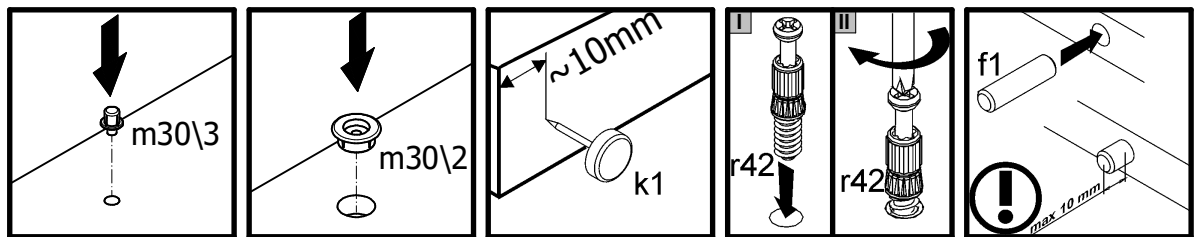
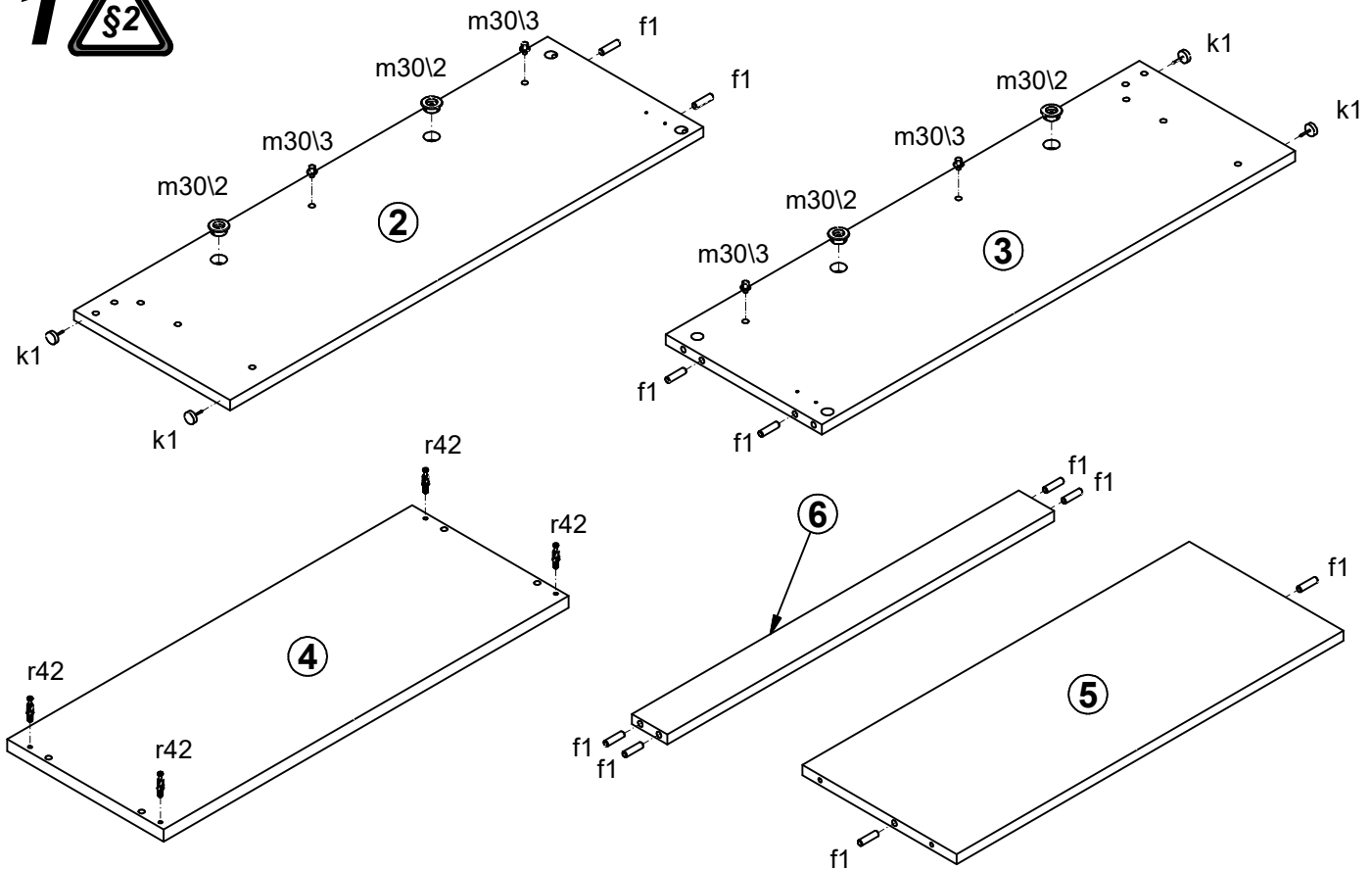


A	B	C	D	
1	S435-0016	660	360	2/2
2	S435-1026	814	268	1/2
3	S435-1027	814	268	1/2
4	S435-2009	696	269	1/2
5	S435-3016	665	265	1/2
6	S435-4013	665	61	1/2
7	S435-4014	652	138	1/2
8	S435-4015	652	90	1/2
9	S435-9307	762	689	2/2

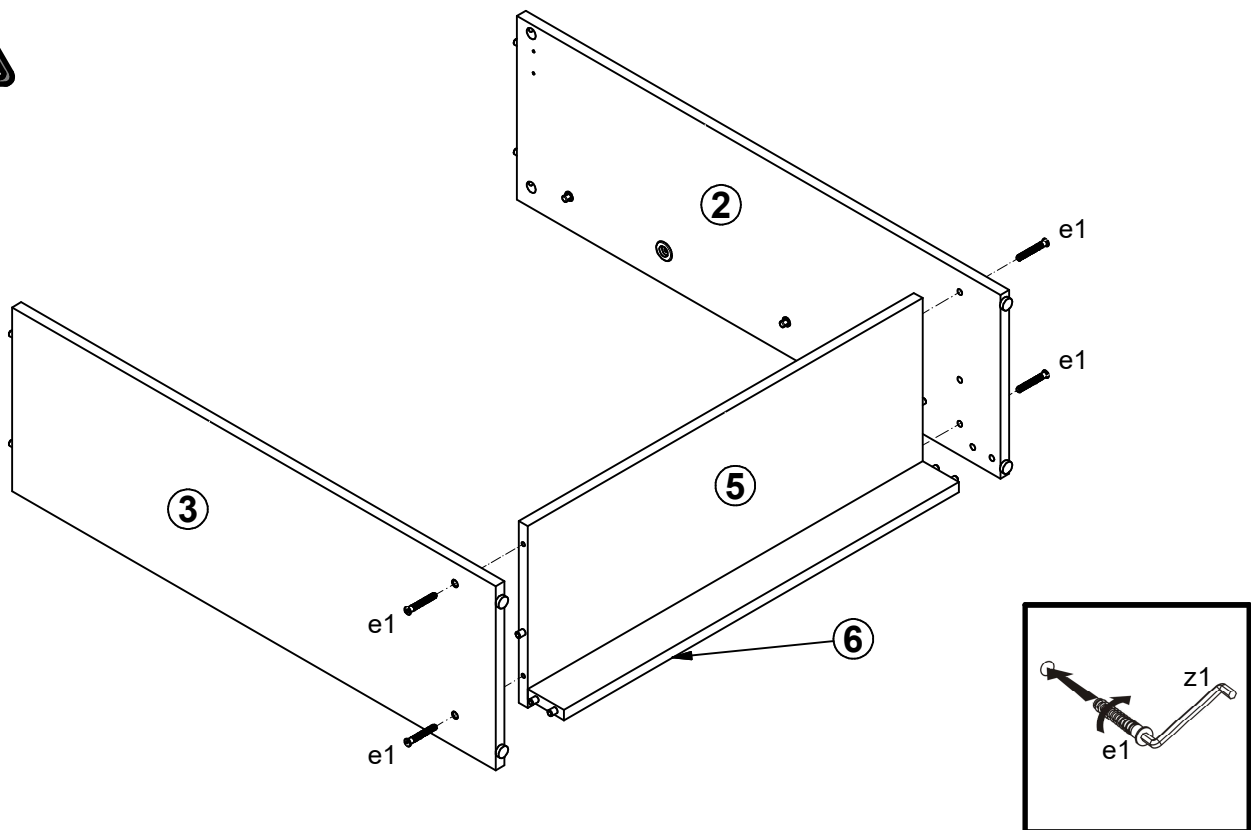


2x 128 mm c310	4x Ø7x50 mm e1	4x Ø6x13 mm e3	10x Ø8x30 mm f1	4x k1	30x 1.4x20 mm l1	4x Ø20/Ø14.5 m30\1	4x Ø26/Ø19.5 m30\2	4x m30\3
2x m30\L	2x m30\P	2x n122	12x Ø2.5x13 mm p15	4x Ø4x30 mm p21	12x Ø3.5x16 mm p38	4x Ø4x25 mm p87	4x Ø15x12 mm #16 r1	4x 20/11 r42
4x s1	2x Ø16 s2	2x Ø10x50 mm f35	2x Ø6x60 mm p127	1x 4 mm z1				

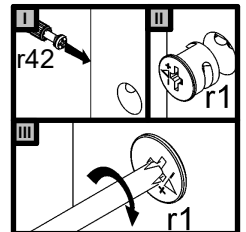
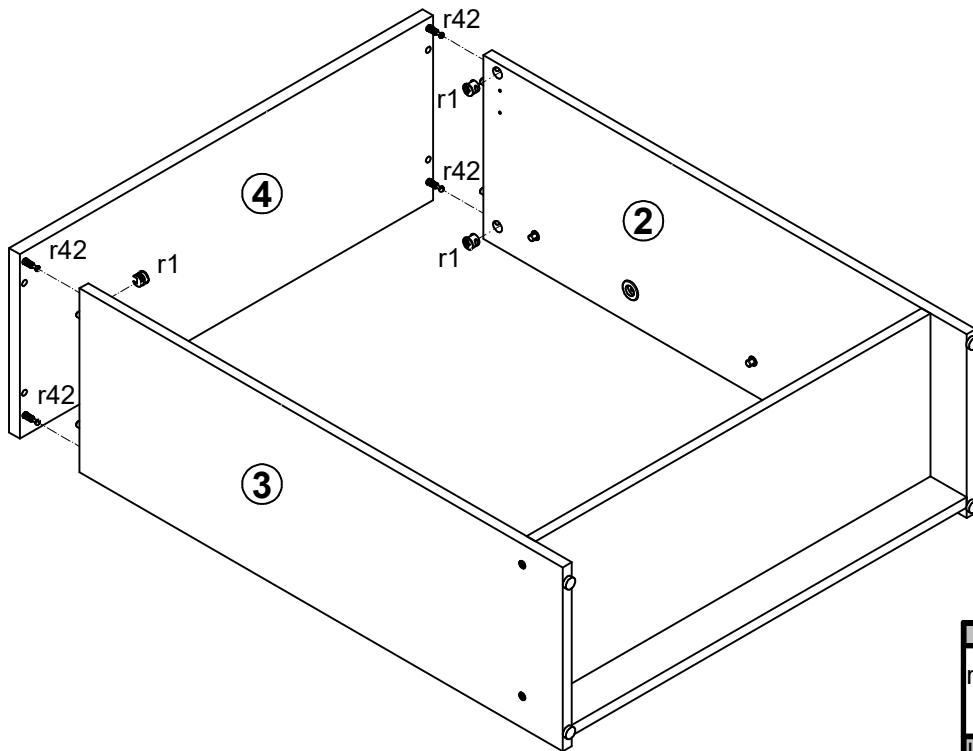
1



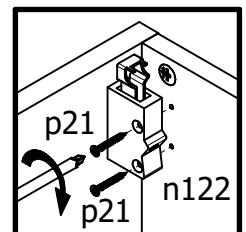
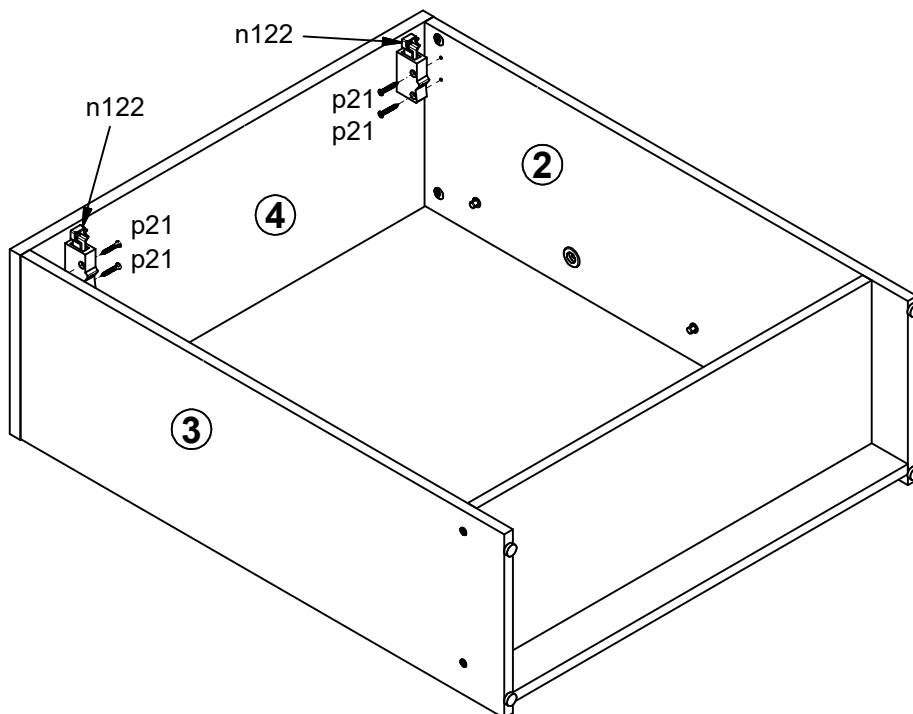
2



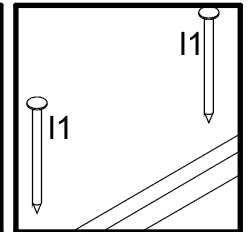
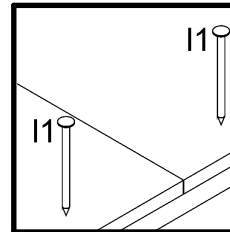
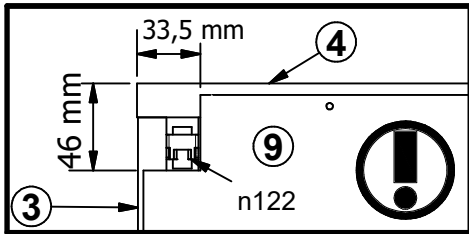
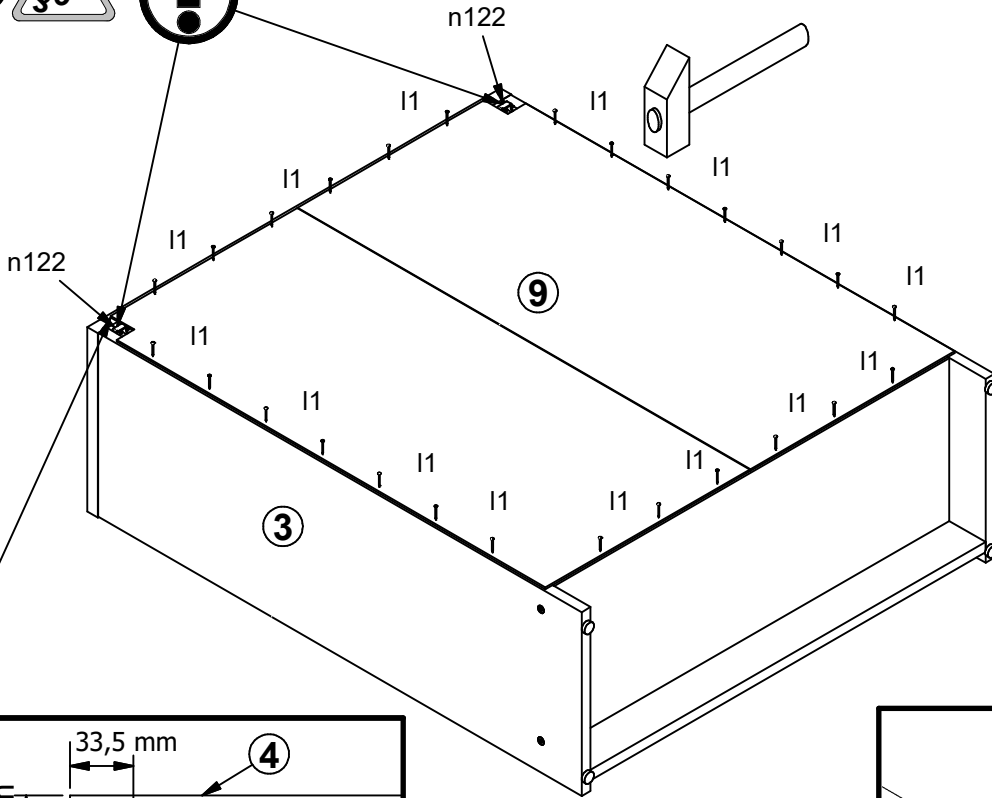
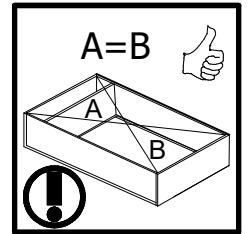
3 §6



4 §6



5



6

