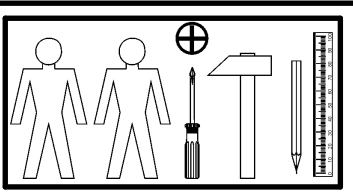
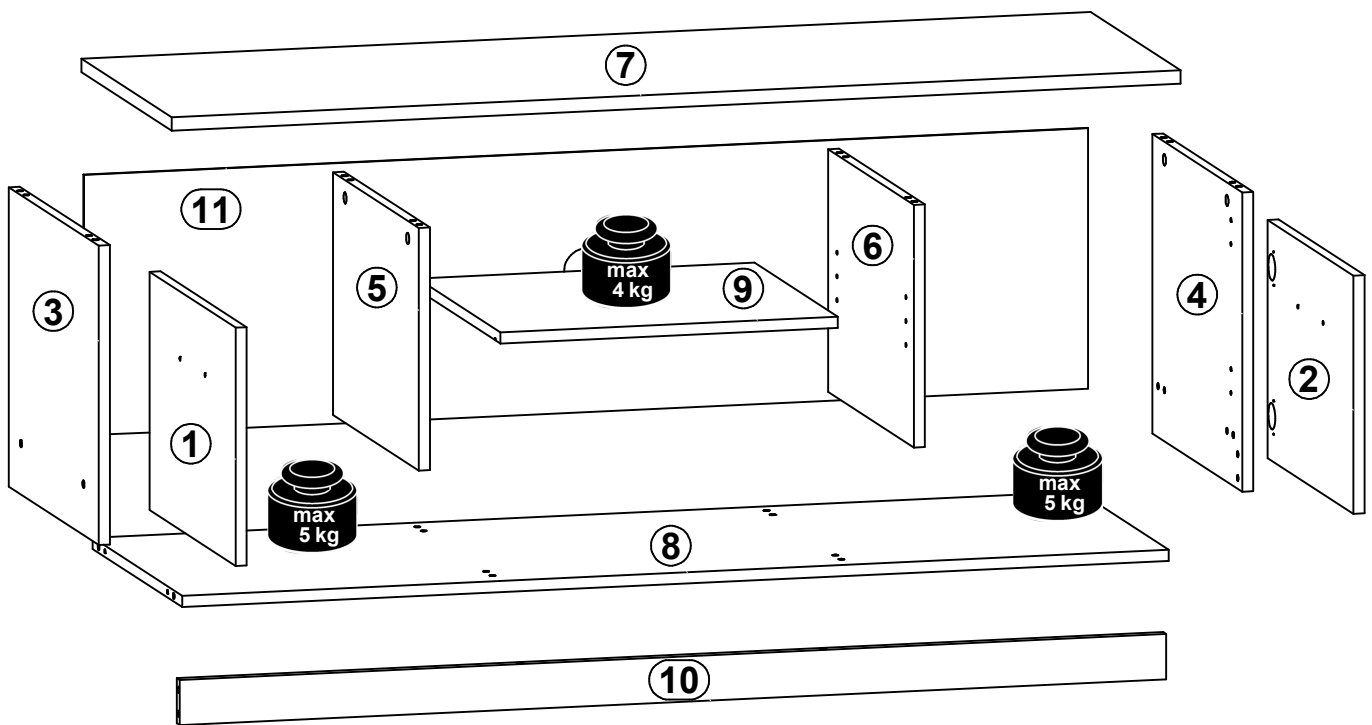
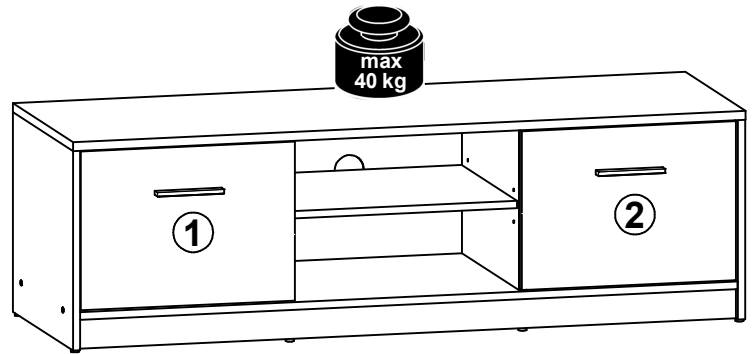
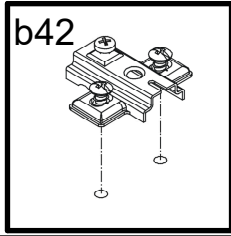
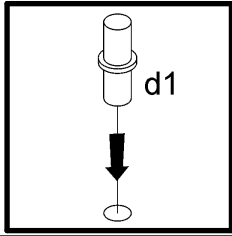
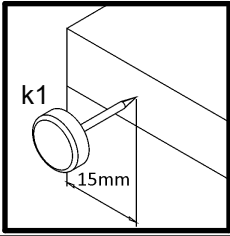
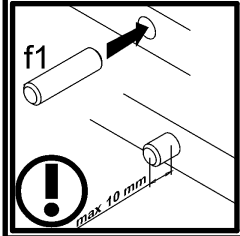
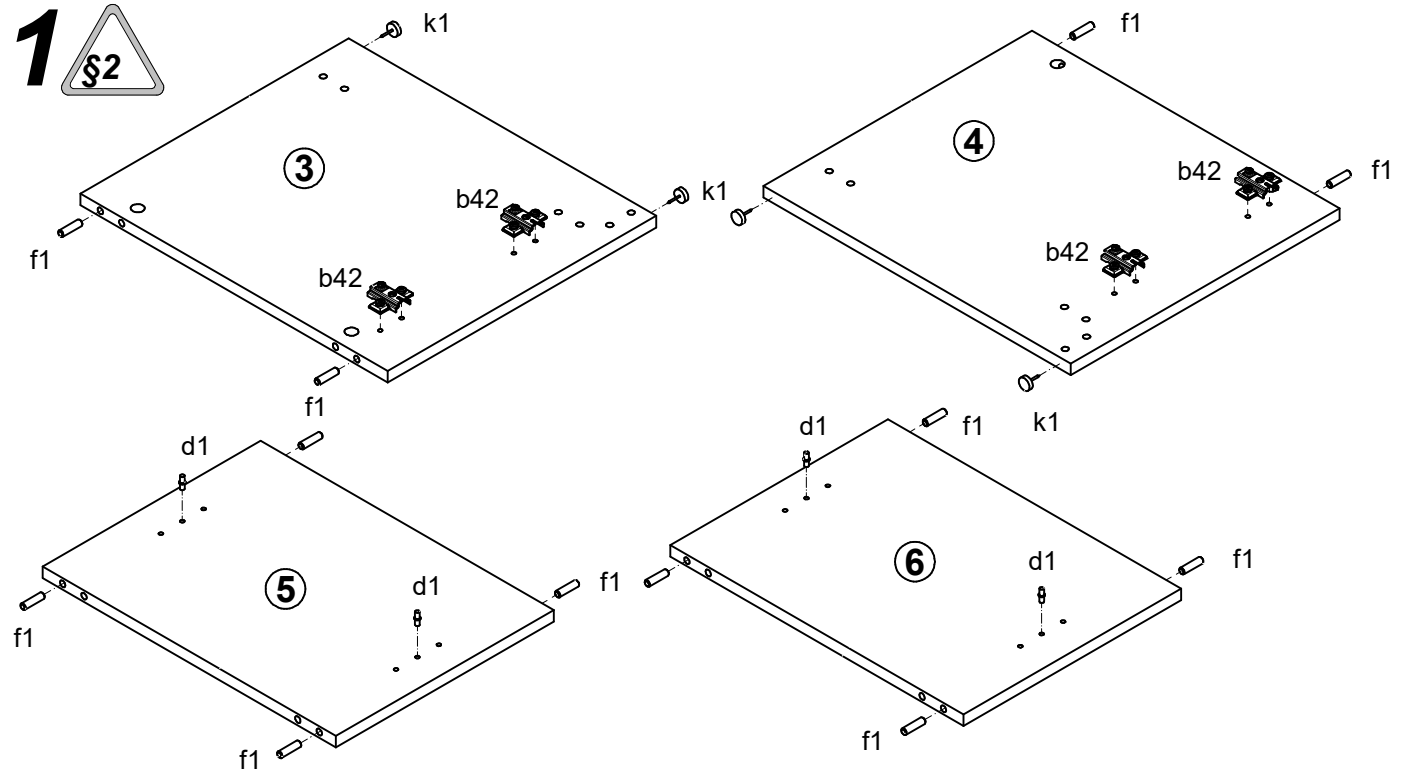


A	B	C		D
1	S435-0007	440,	320,	2/2
2	S435-0008	440,	320,	2/2
3	S435-1011	402,	460,	1/2
4	S435-1012	402,	460,	1/2
5	S435-1013	326	439	1/2
6	S435-1014	326	439	1/2
7	S435-2005	1382	461	1/2
8	S435-3009	1351,	457,	1/2
9	S435-3011	462	425	1/2
10	S435-4007	1351,	61,	1/2
11	S435-9003	1375	350	1/2

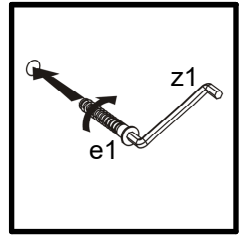
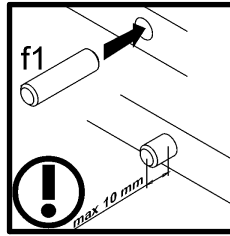
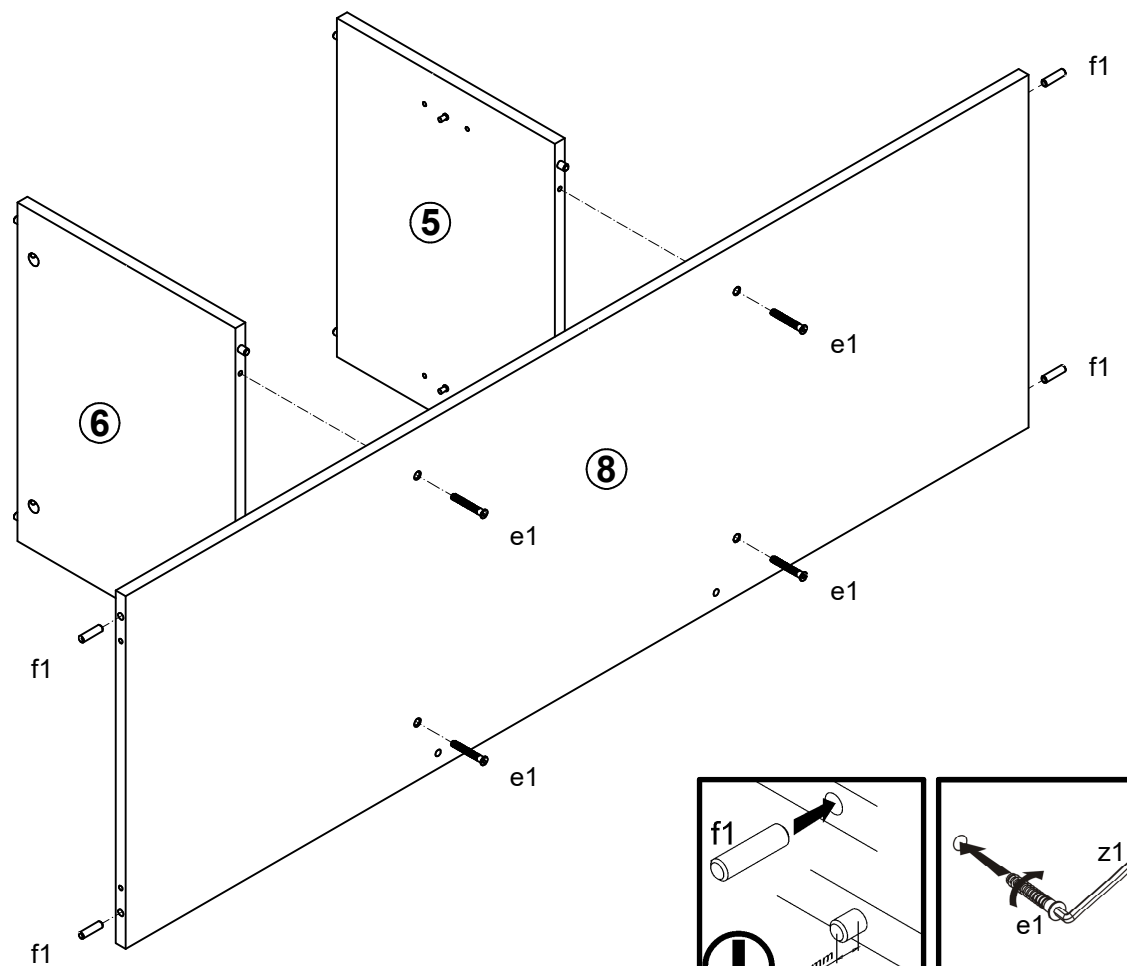


4x K18 Ø35 a172	4x b42	2x 128 mm c310	4x Ø5x17 mm d1	8x Ø7x50 mm e1	22x Ø8x30 mm f1	6x k1	40x 1.4x20 mm l1	8x Ø3.5x15 mm p51
4x Ø4x25 mm p87	8x Ø15x12 mm #16 r1	8x 20/11 r42	4x s1	8x Ø16 s2	1x 4 mm z1			

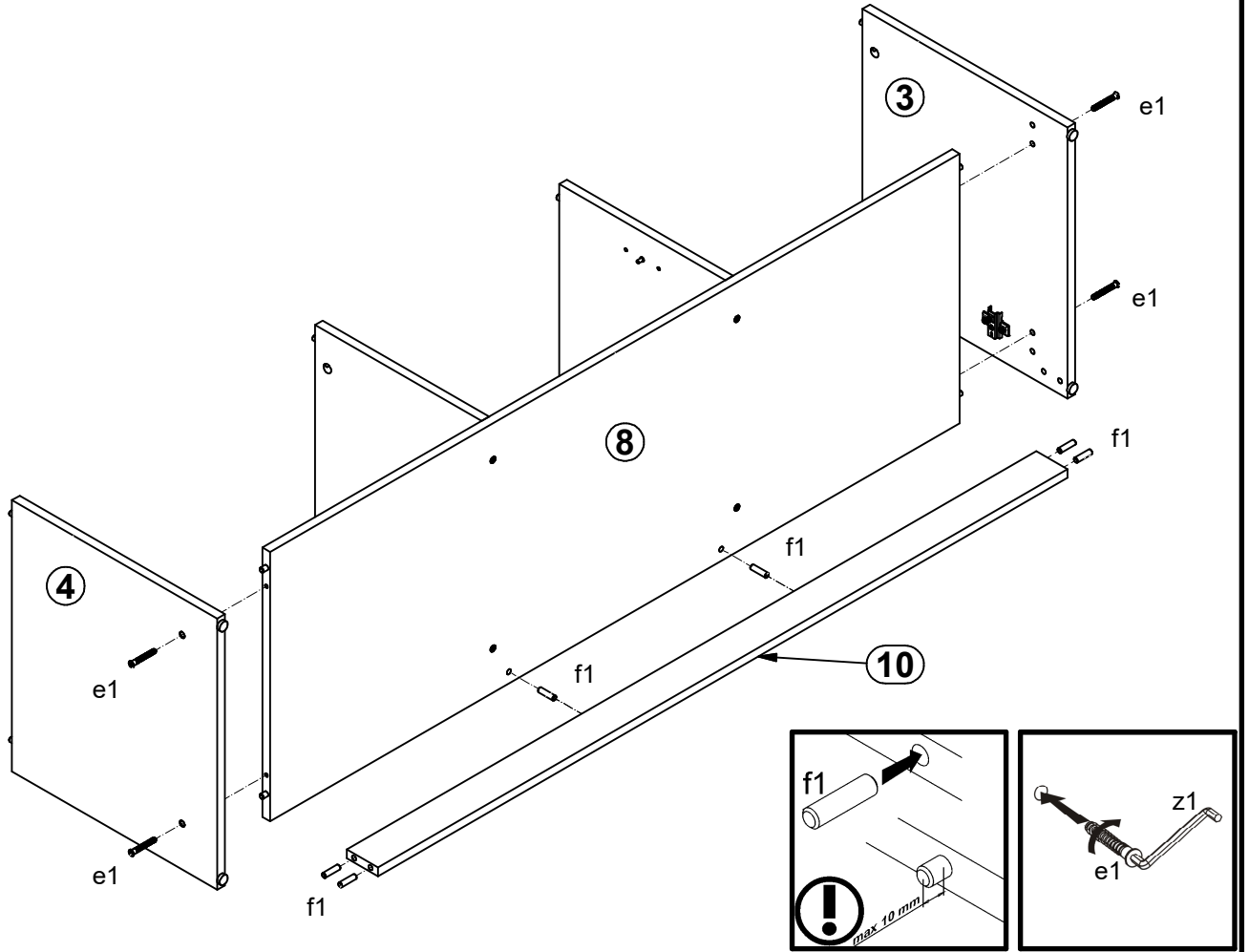
1



2



3



4

