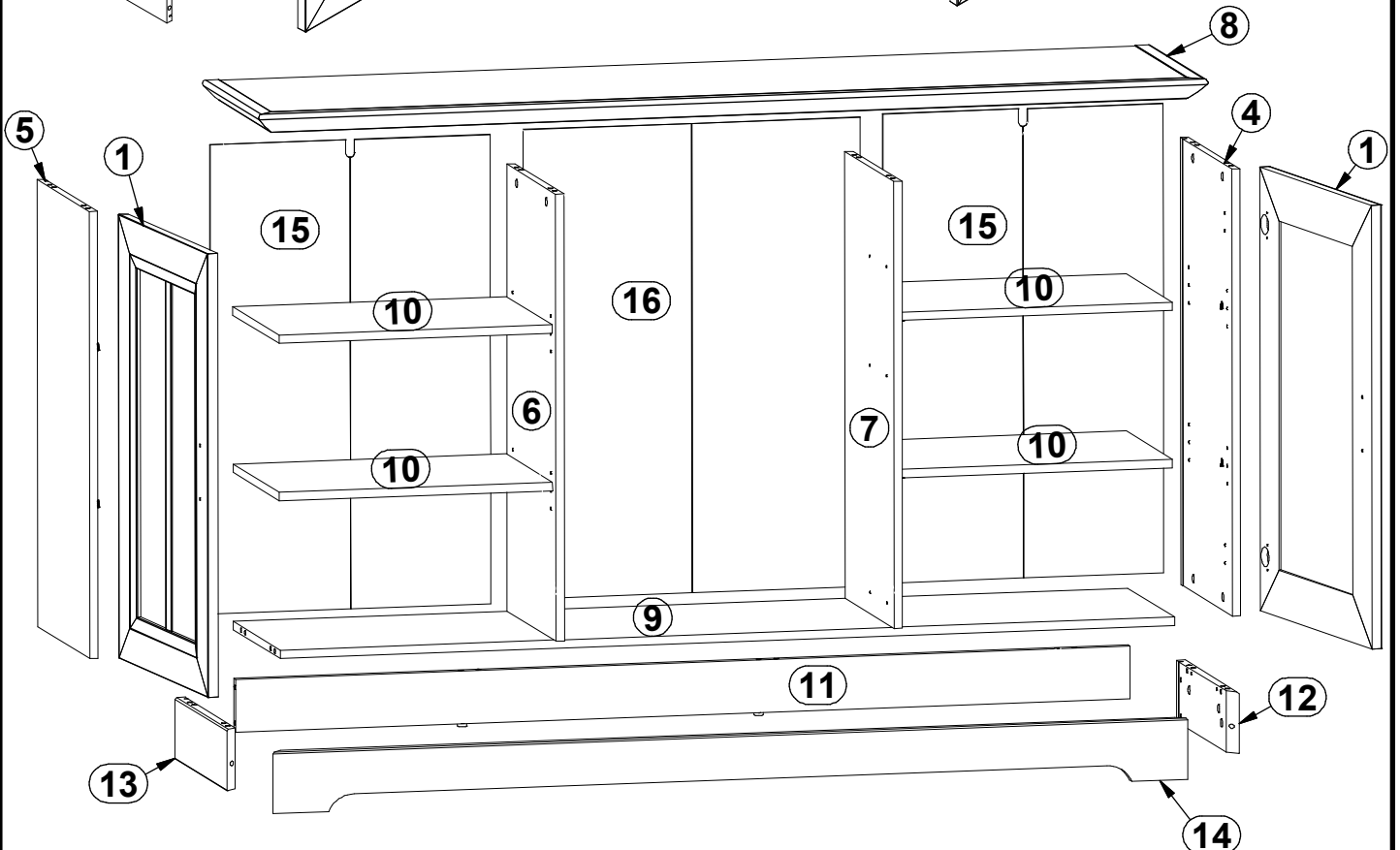
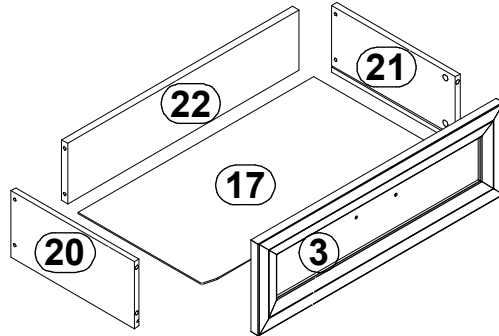
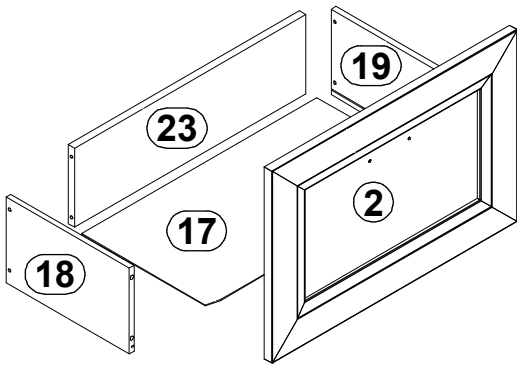
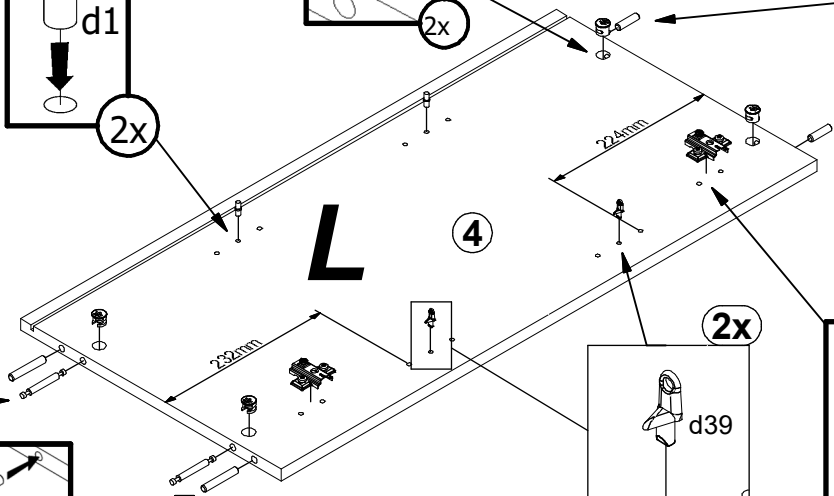
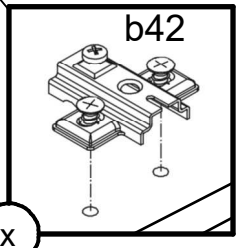
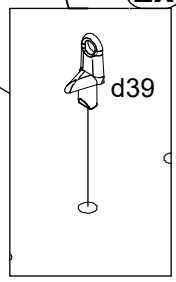
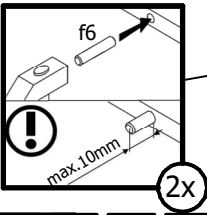
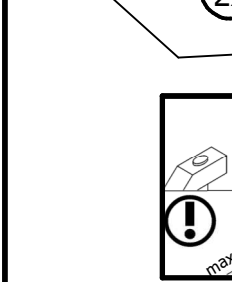
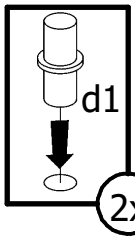
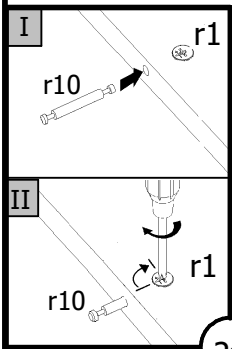
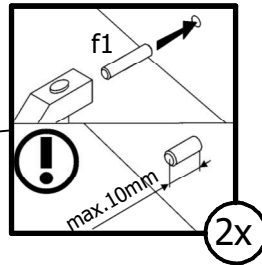
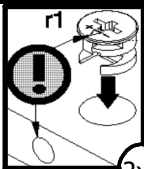


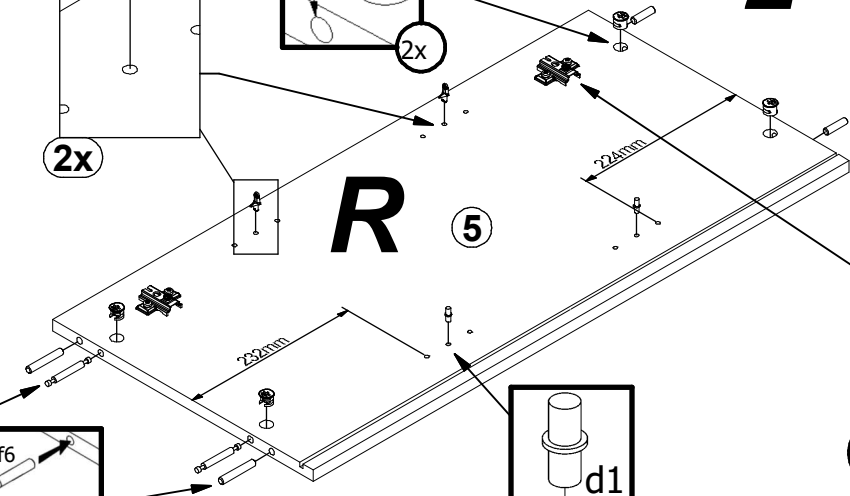
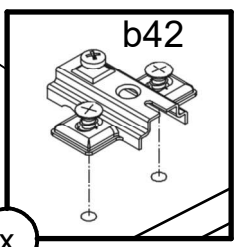
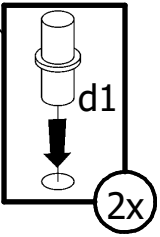
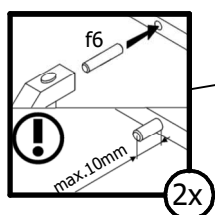
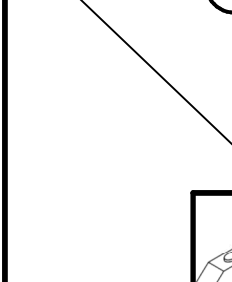
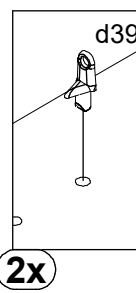
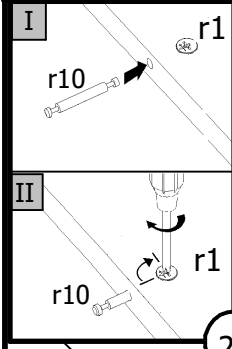
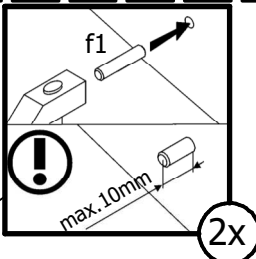
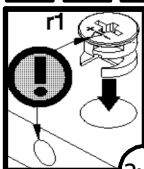
A	B	C1	C2	C3	D
1	S553-0007	796	496	19	1/3
2	S553-0008	404	596	19	1/3
3	S553-0009	596	193	19	1/3
4	S553-1014	802	390	15	3/3
5	S553-1015	802	390	15	3/3
6	S553-1016	802	370	15	1/3
7	S553-1017	802	370	15	1/3
8	S553-2005	1732	425	38	2/3
9	S553-3011	1632	355	15	2/3
10	S553-3012	499	348	15	2/3
11	S553-4005	1632	95	15	2/3
12	S553-5009	394	110	19	3/3
13	S553-5010	394	110	19	3/3
14	S553-5016	1670	110	19	2/3
15	S553-9302	842	511	2,5	3/3
16	S553-9303	842	615	2,5	3/3
17	WSP-9443	572	308	2,5	3/3
18	ZQ6-501	300	180	12	3/3
19	ZQ6-502	300	180	12	3/3
20	ZQ6-509	300	140	12	3/3
21	ZQ6-510	300	140	12	3/3
22	ZQ6-5142	562	127	15	2/3
23	ZQ6-5280	562	167	15	2/3



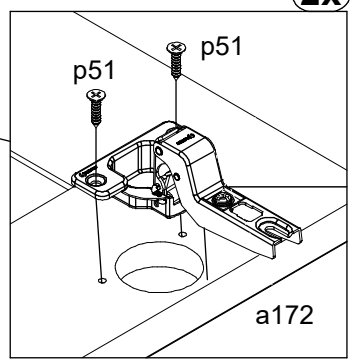
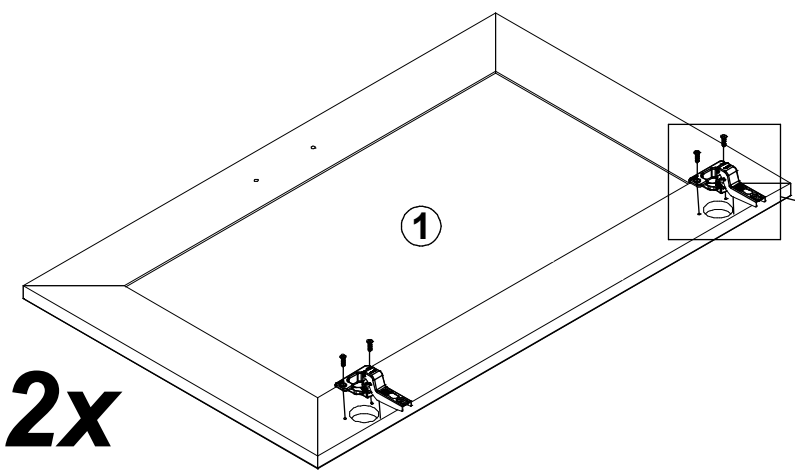
1

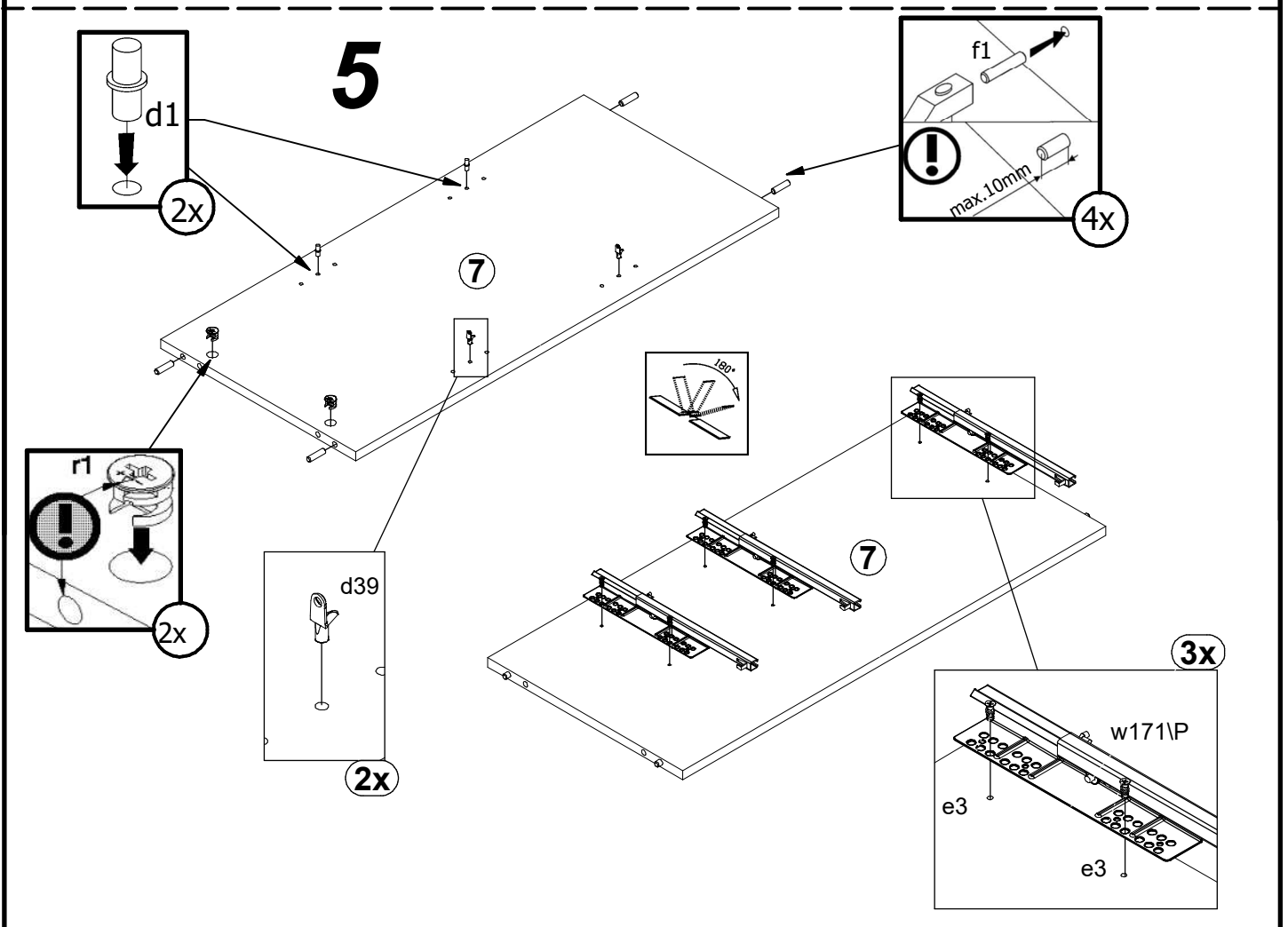
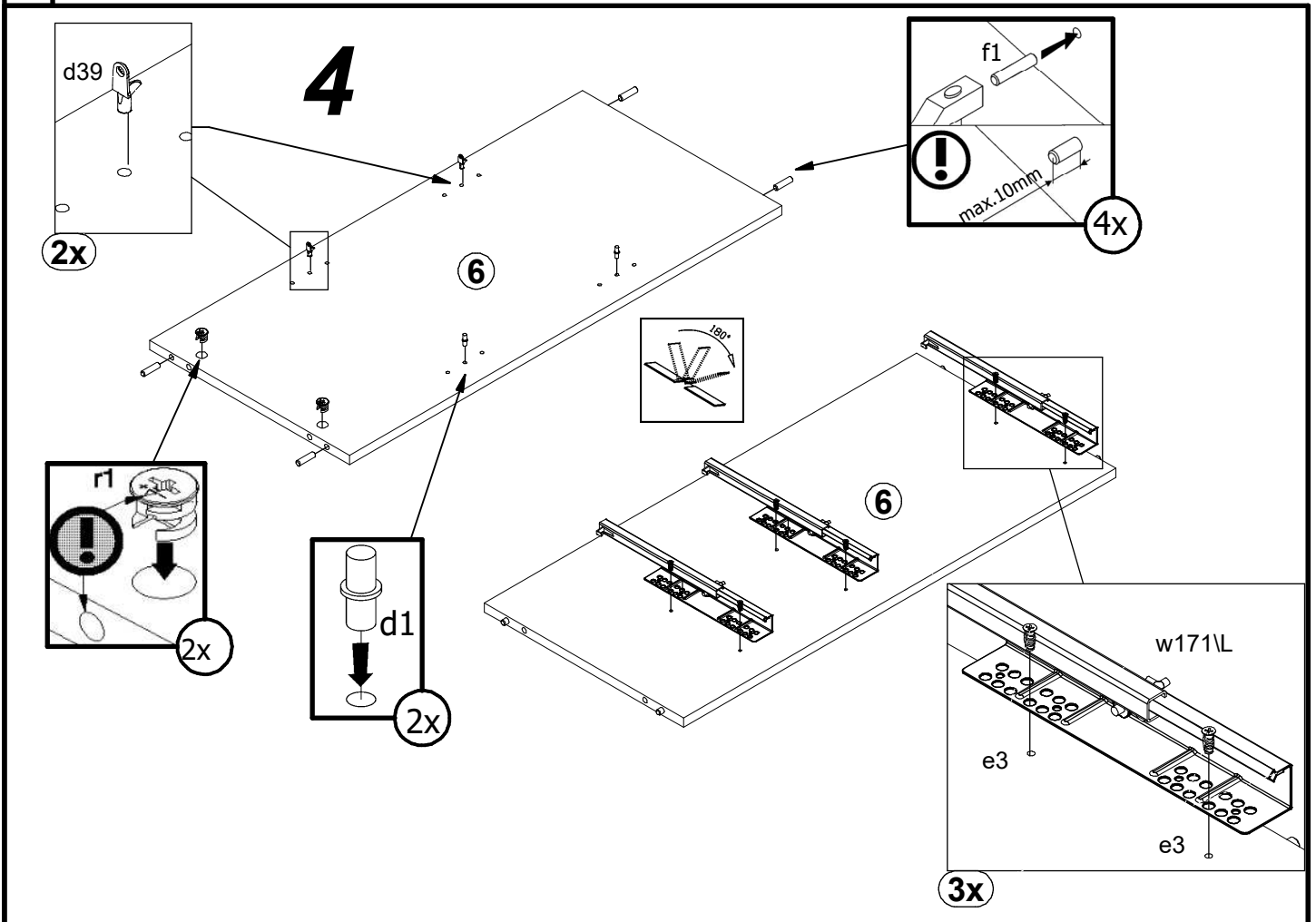


2

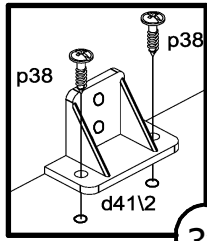


3

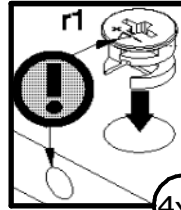




6

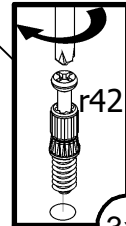


3x

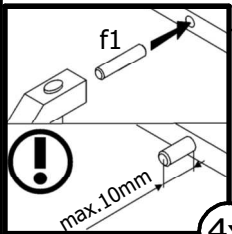


4x

9

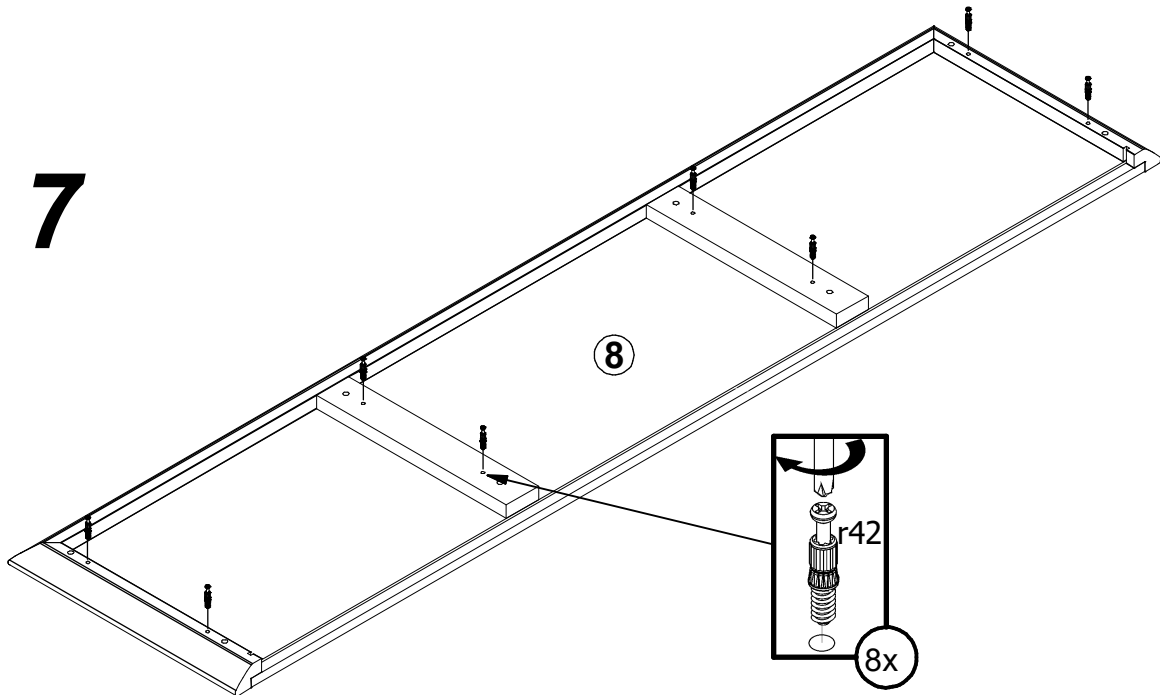


3x

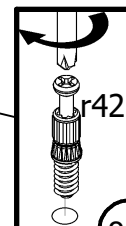


4x

7

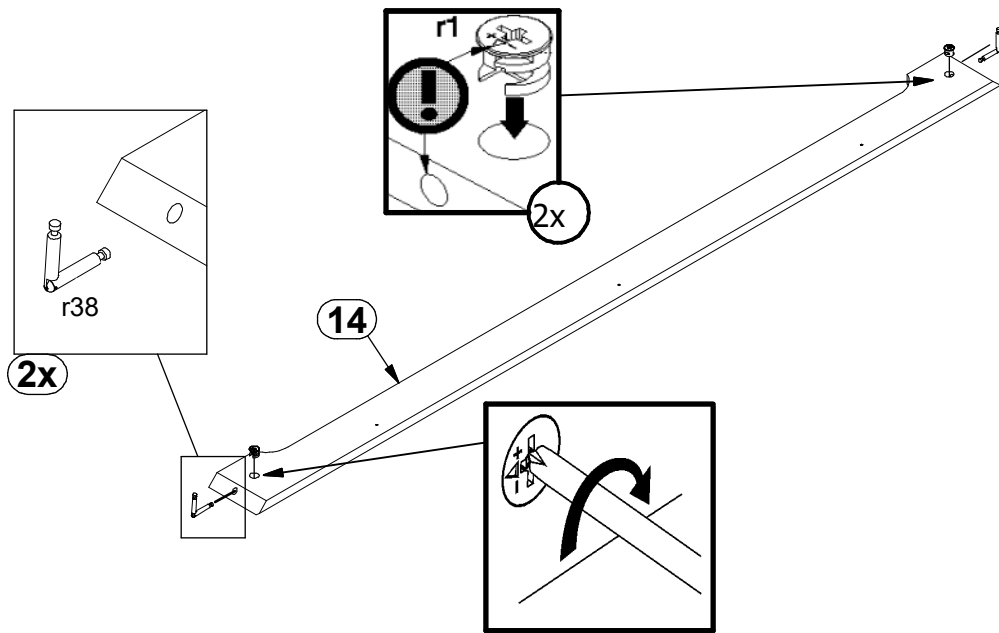


8

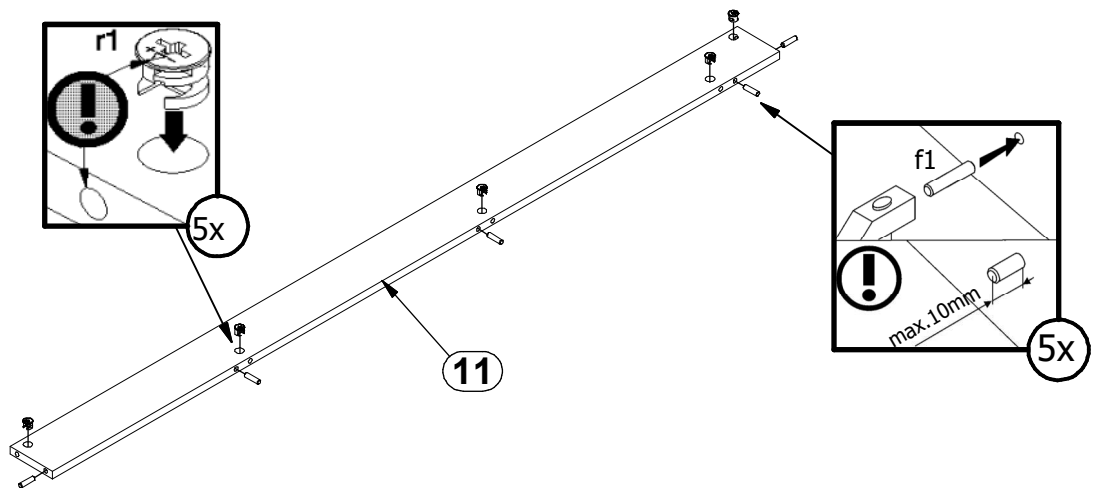


8x

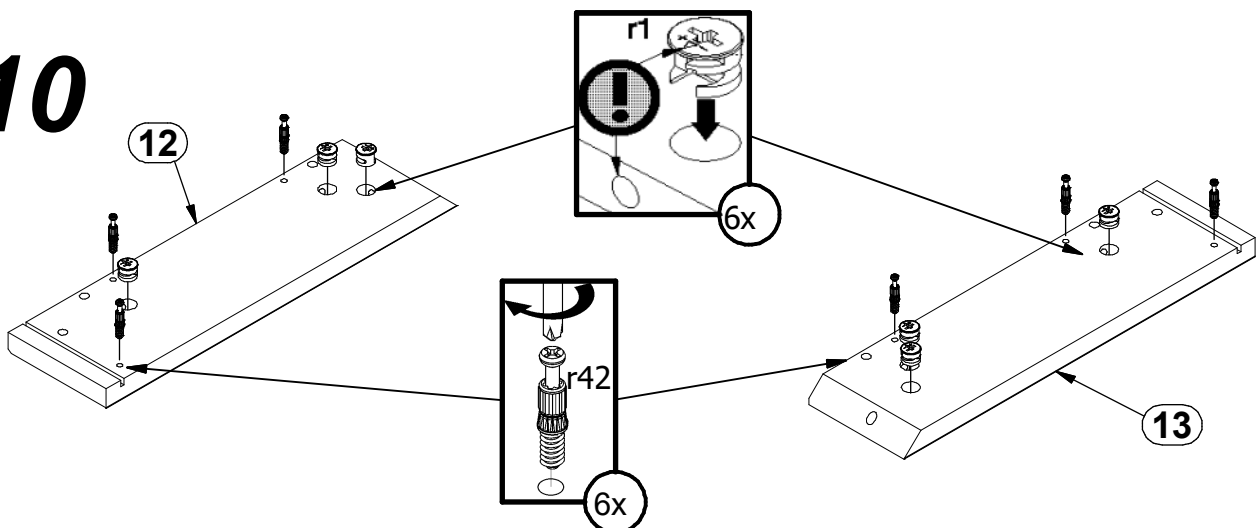
8



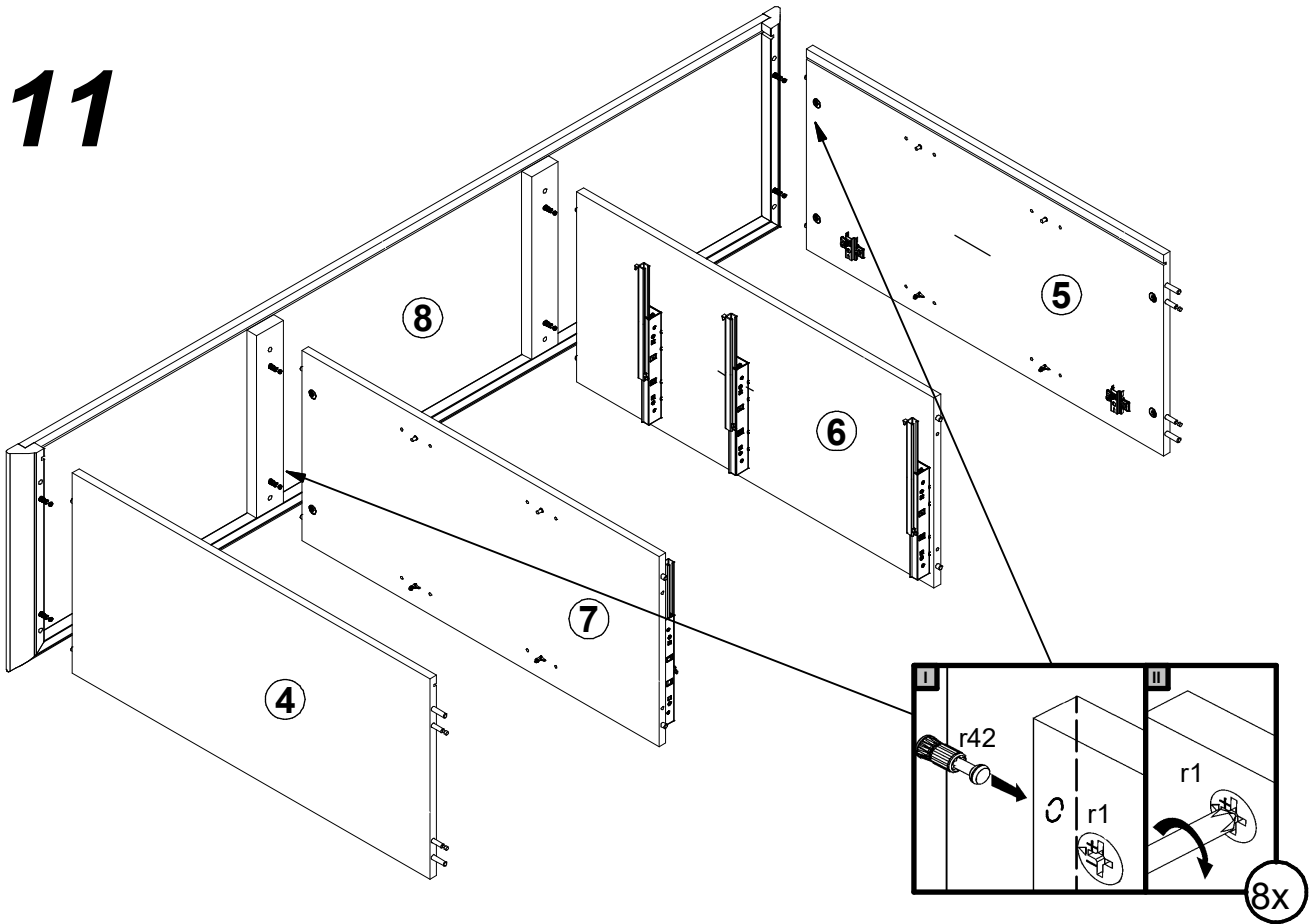
9



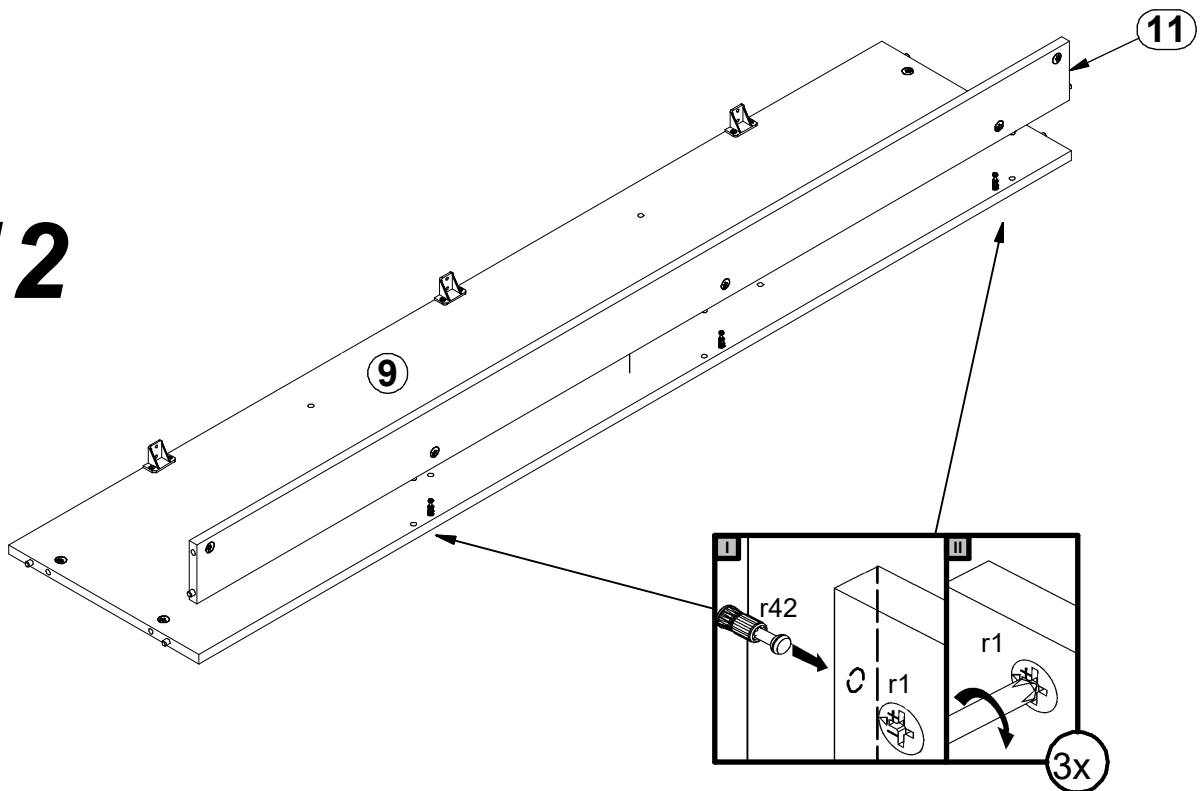
10



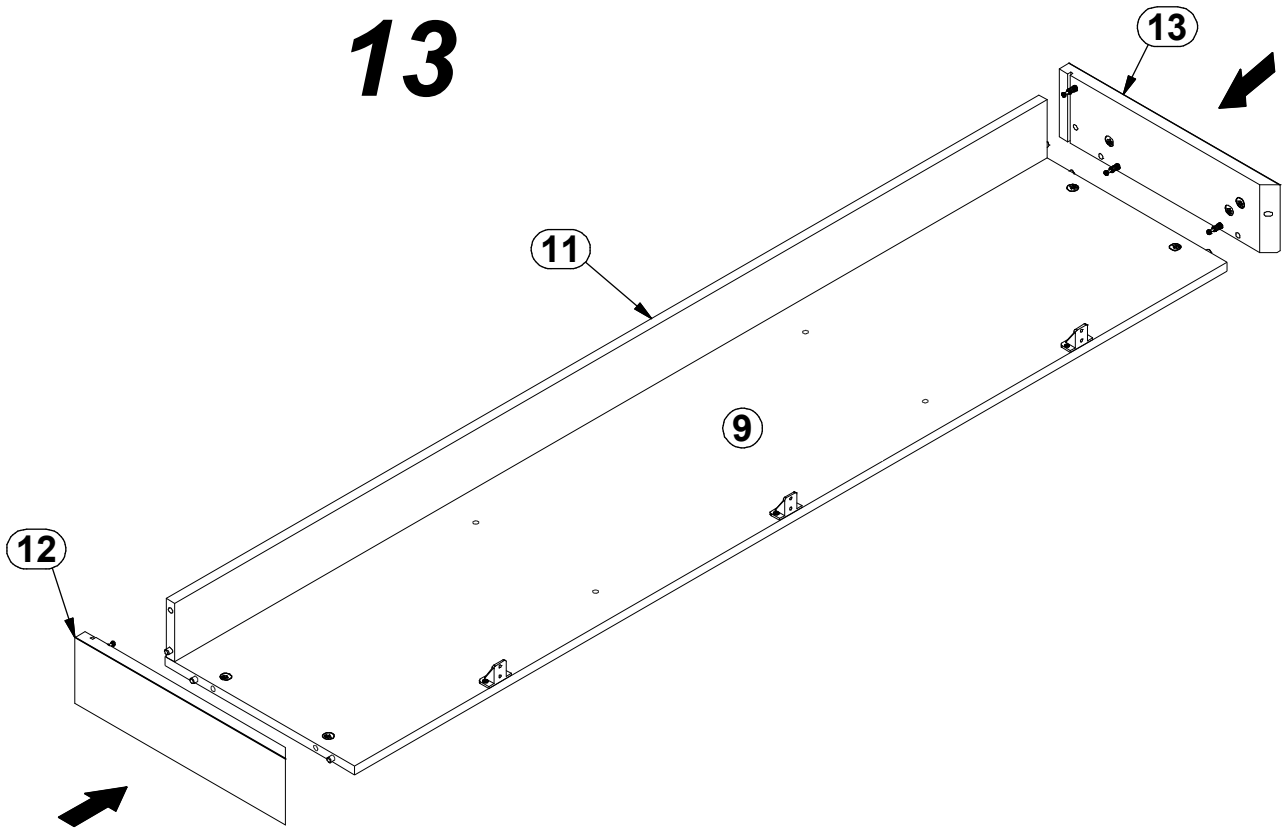
11



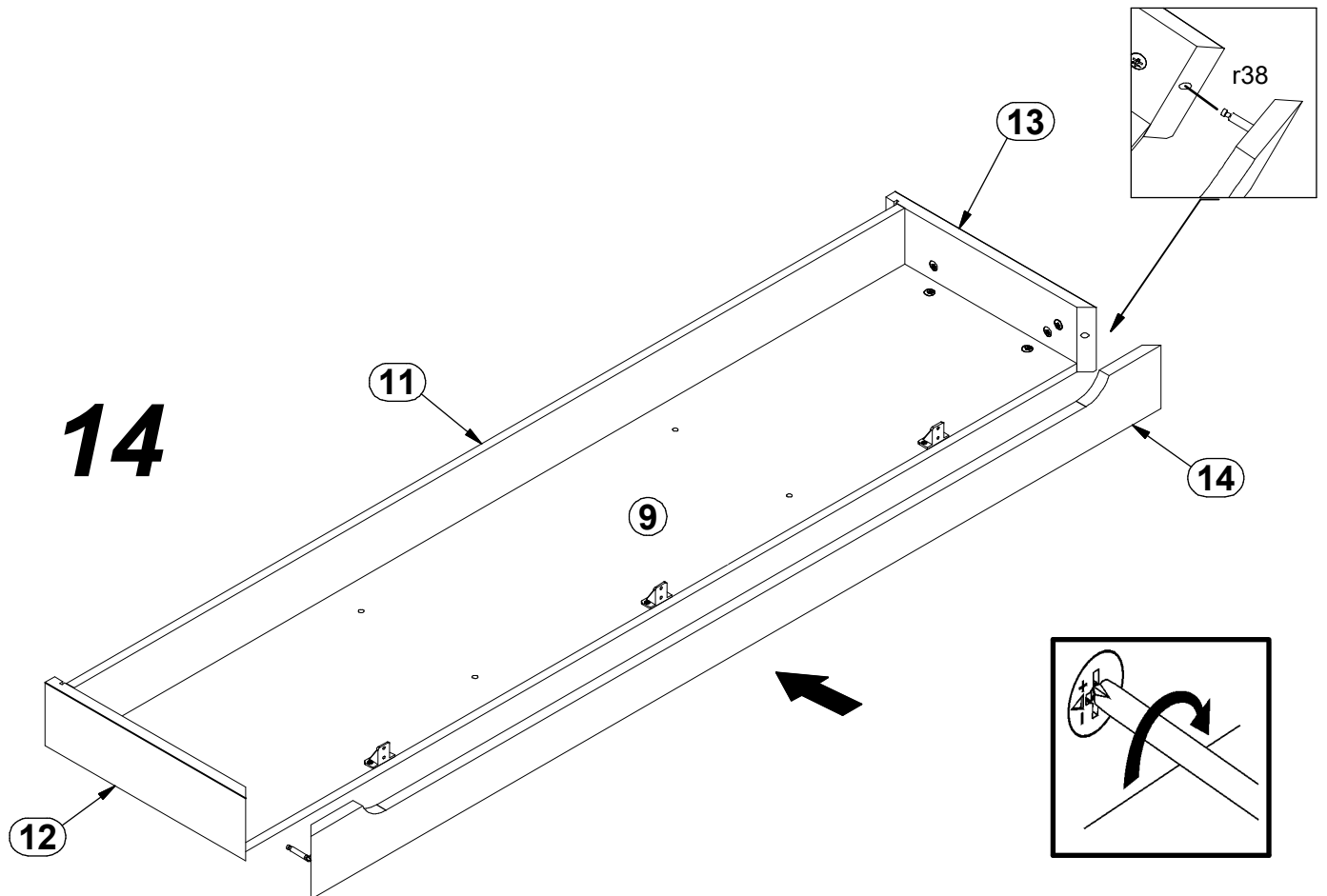
12



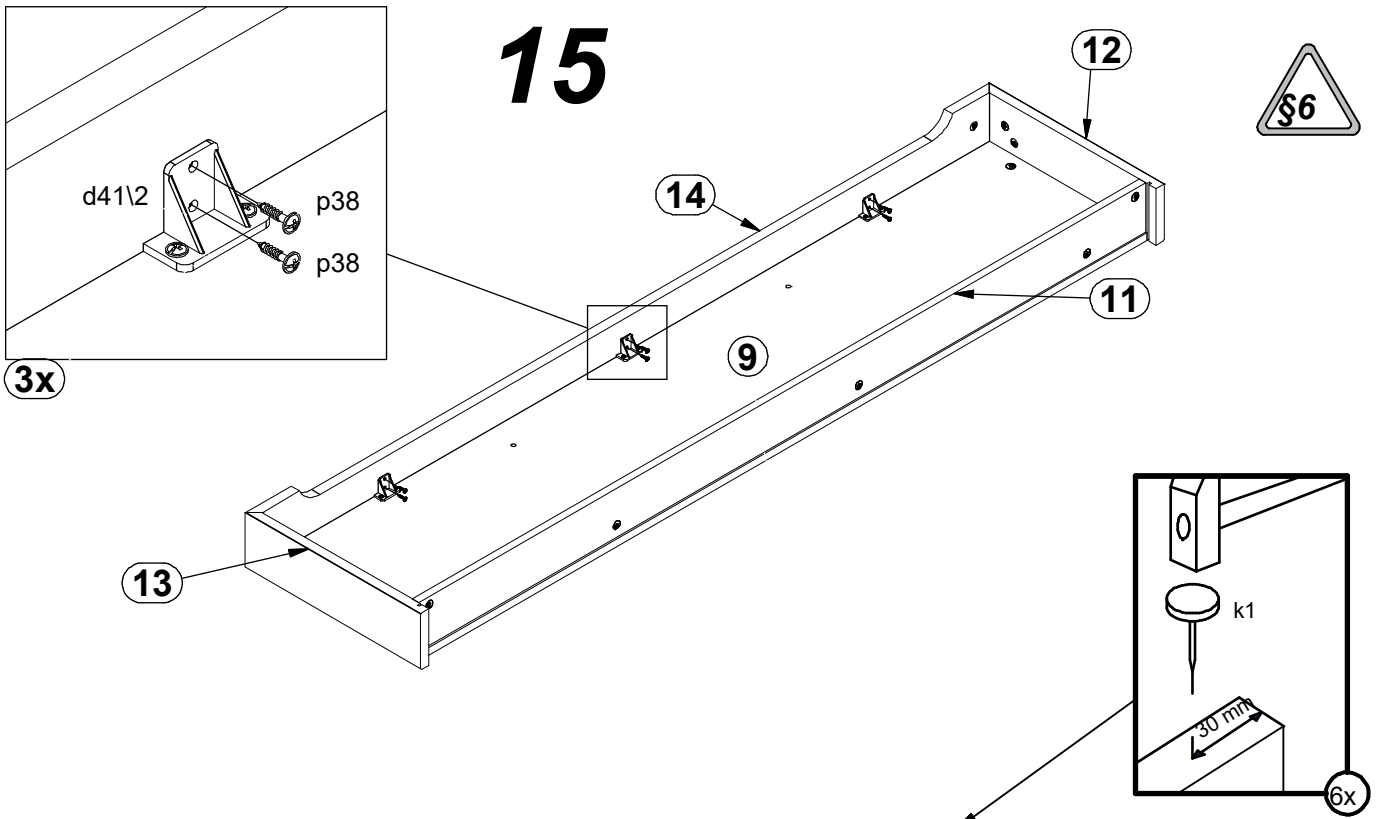
13



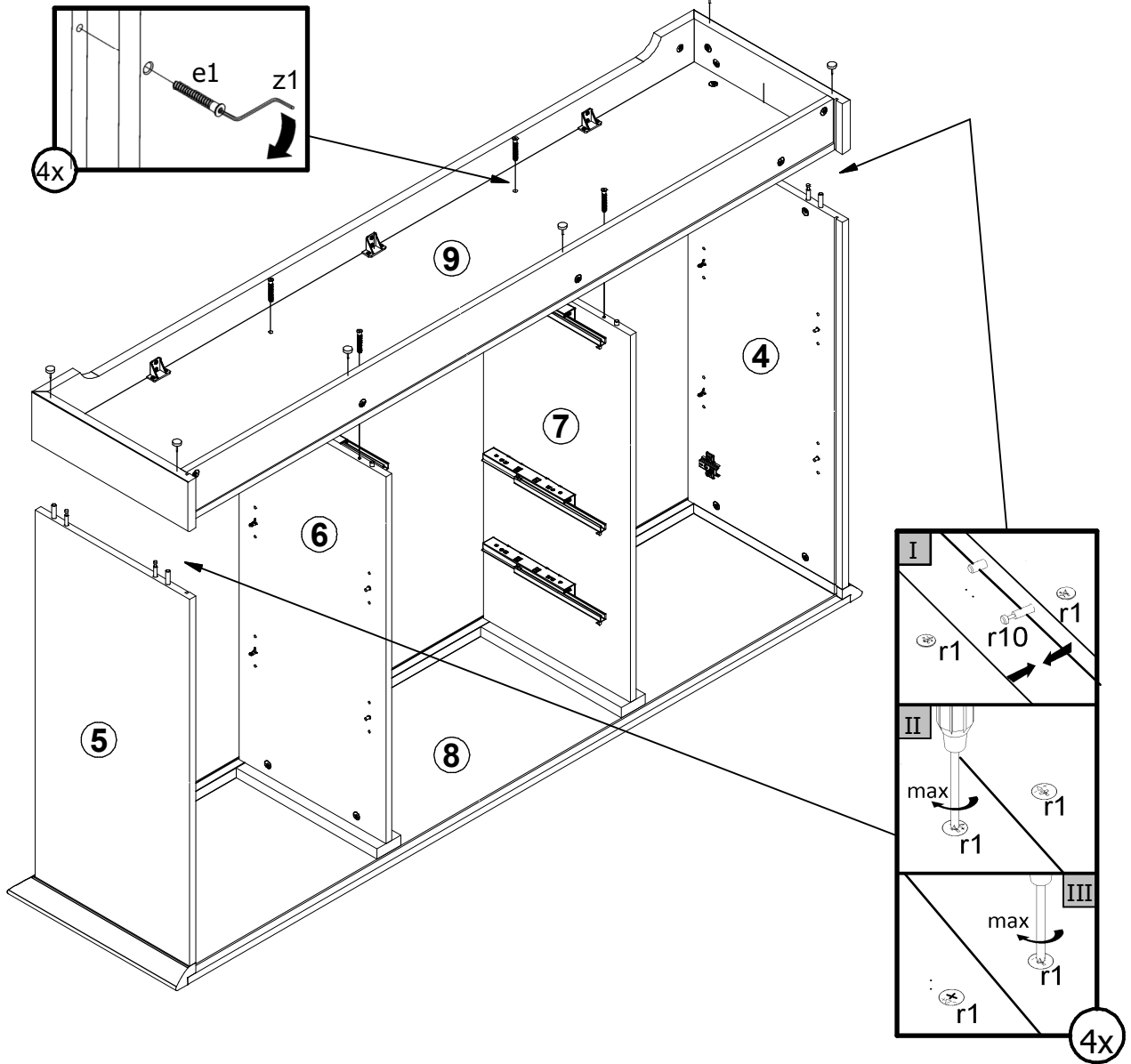
14



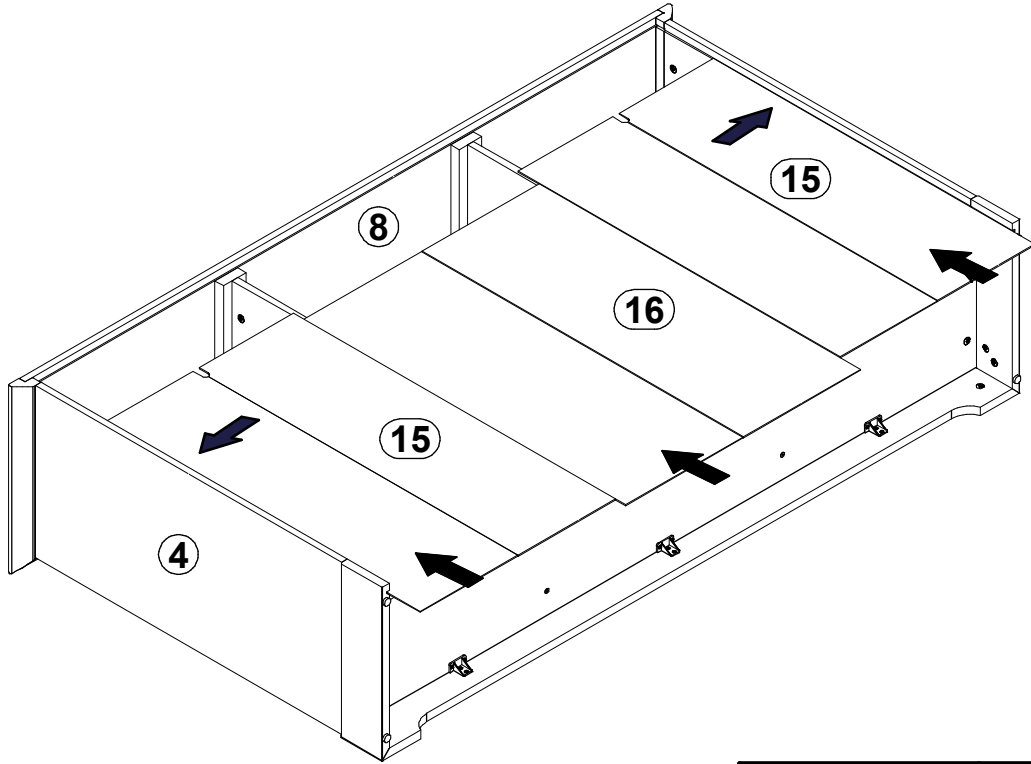
15



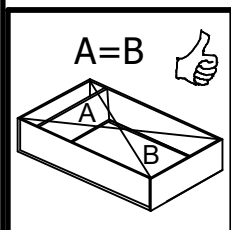
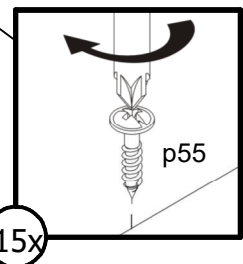
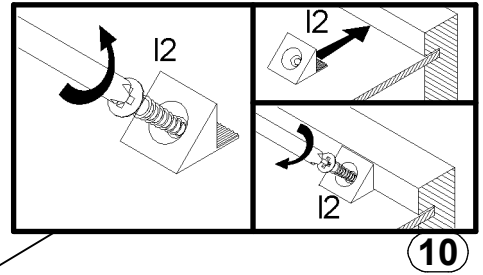
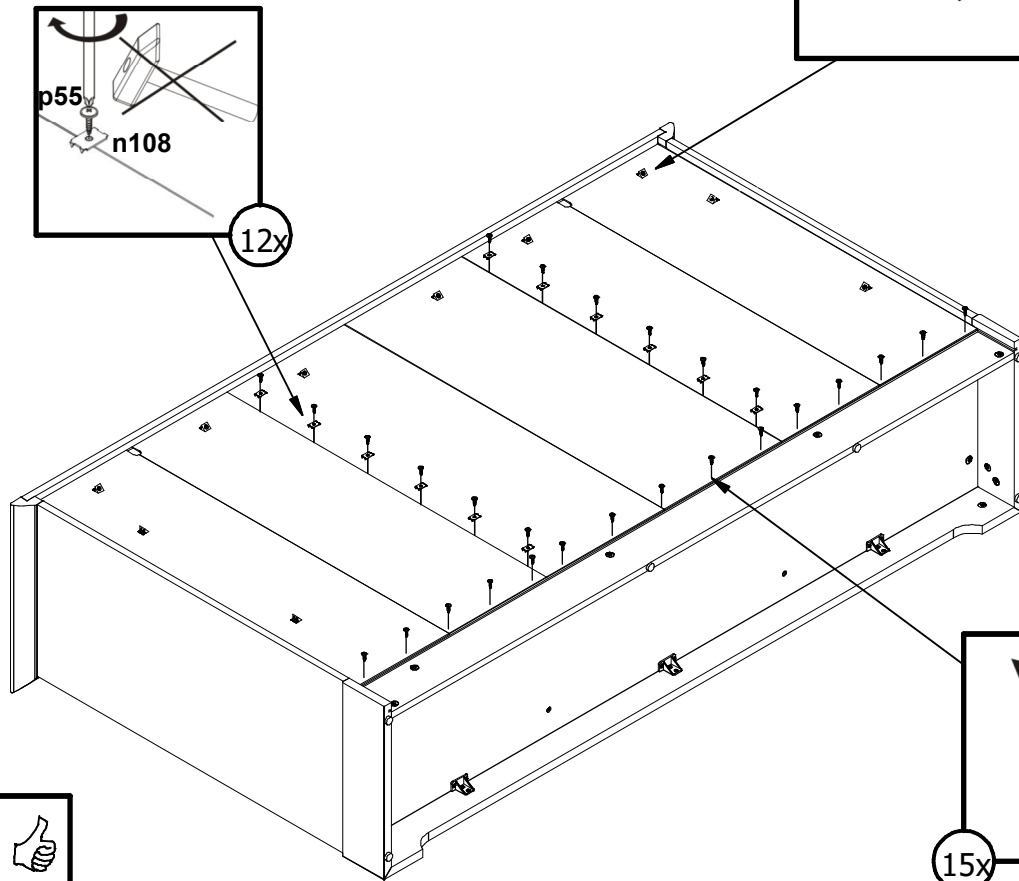
16



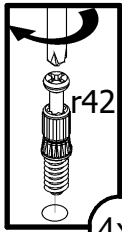
17



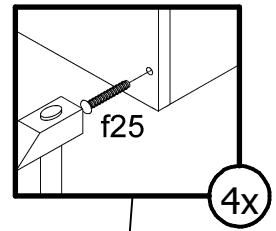
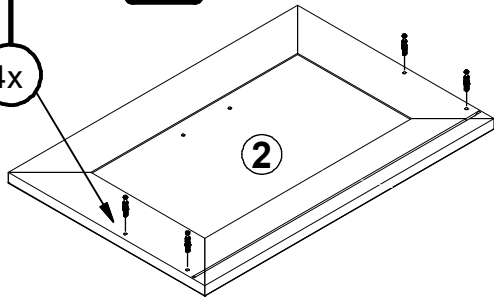
18



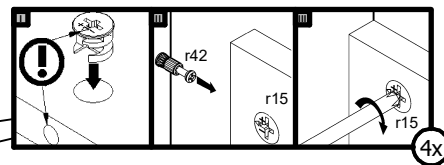
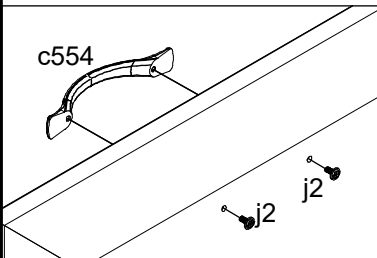
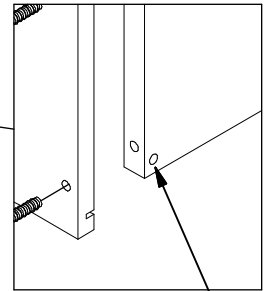
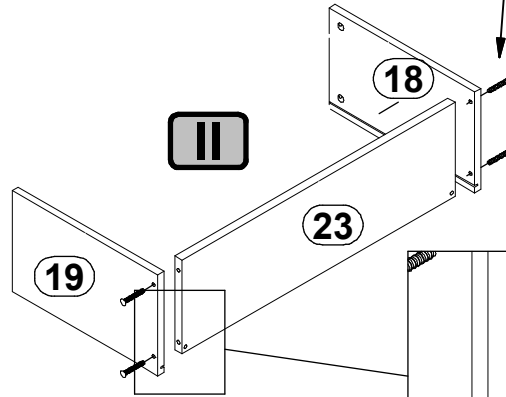
19



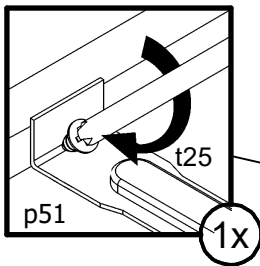
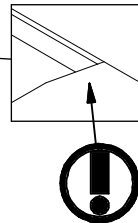
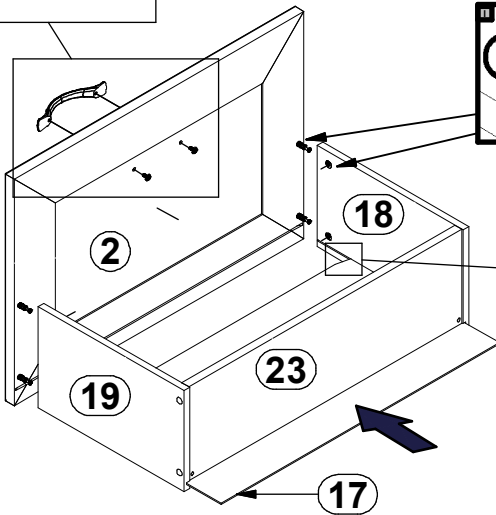
I



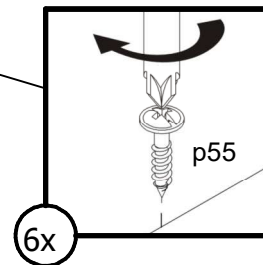
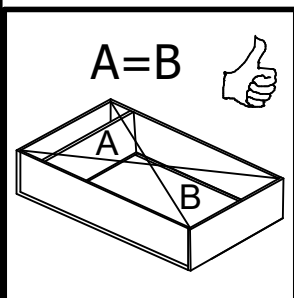
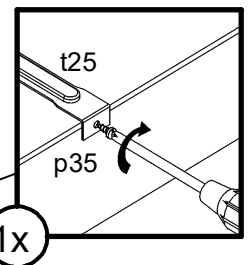
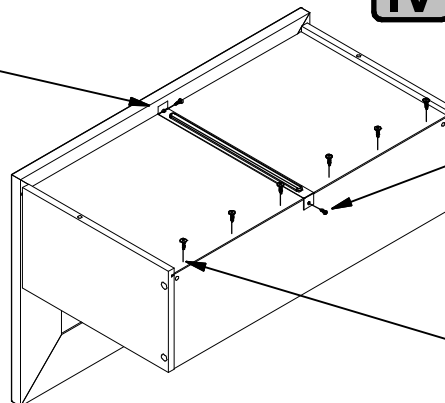
II

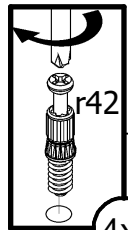


III



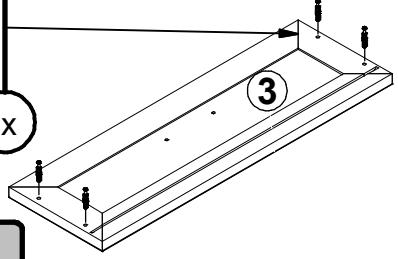
IV





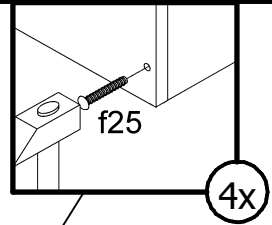
4x

I



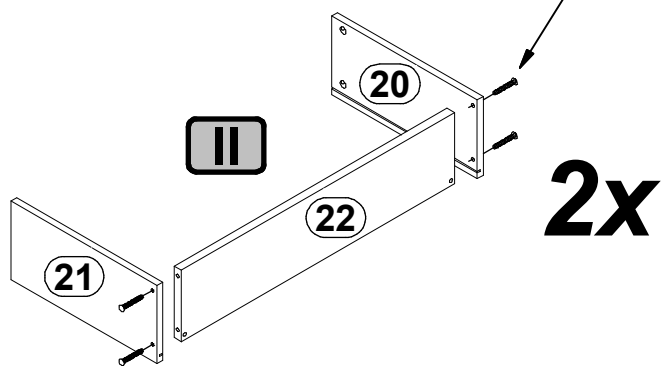
2x

20

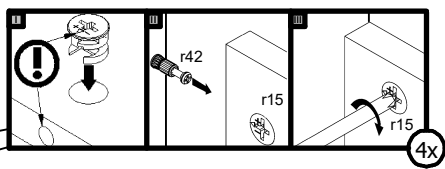
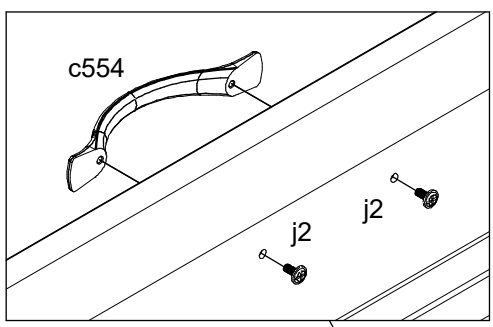


4x

II

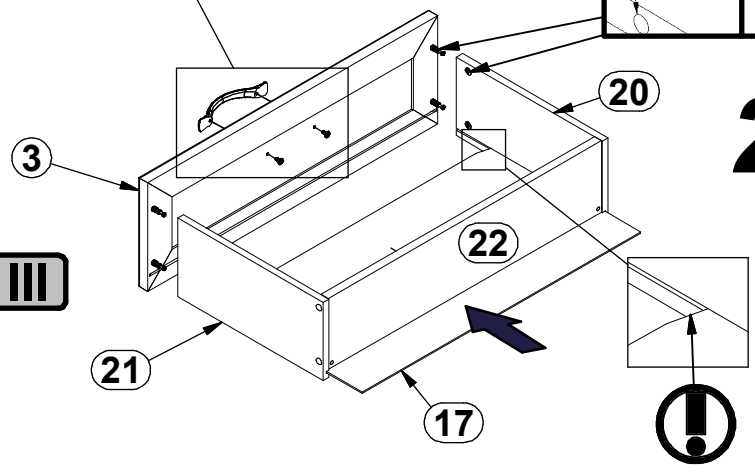


2x

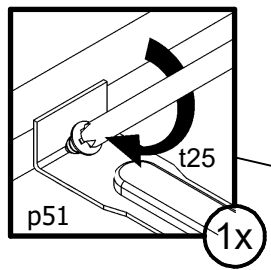


4x

III

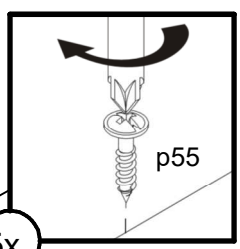


2x



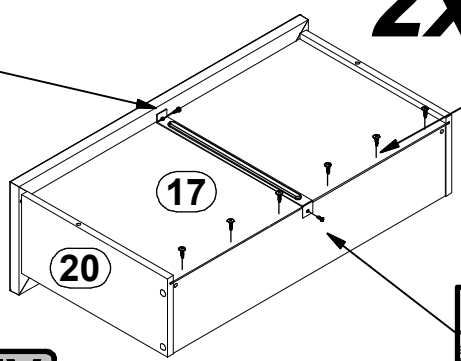
1x

2x

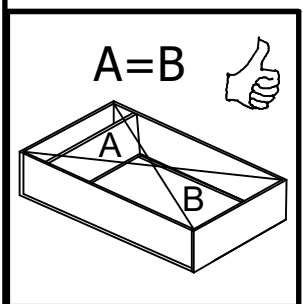
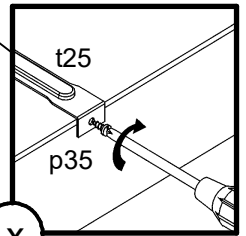


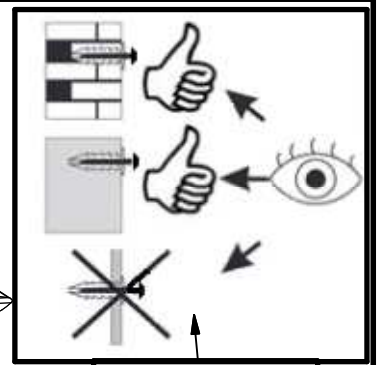
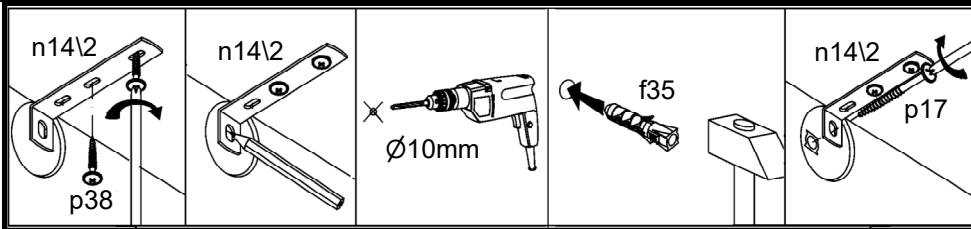
6x

IV

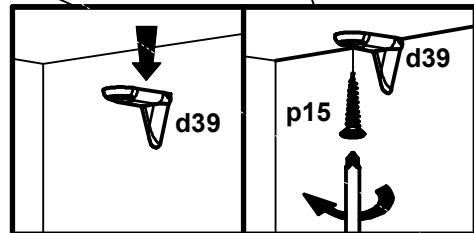
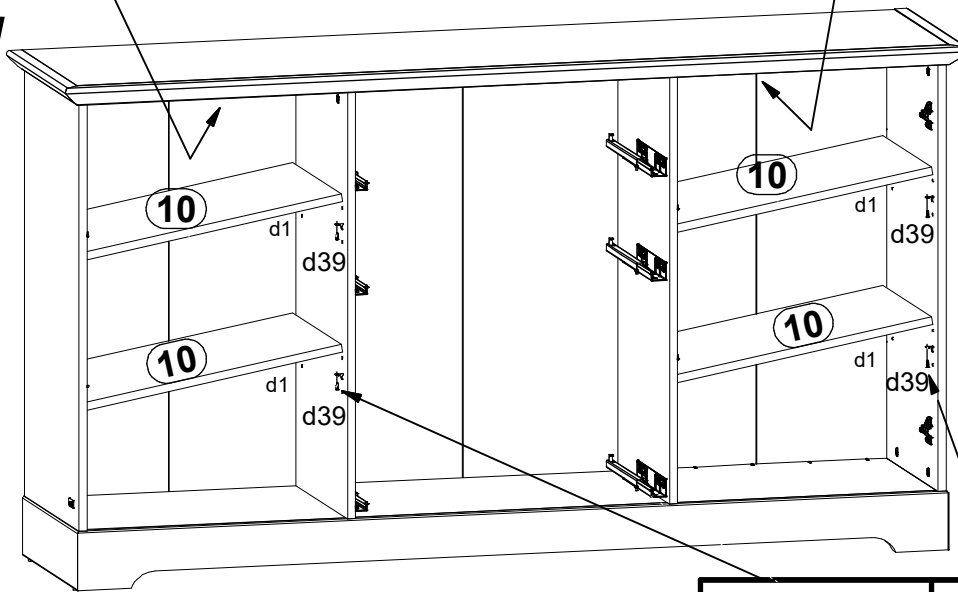


1x

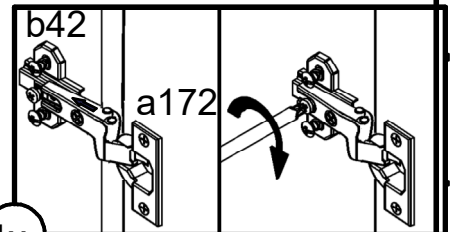
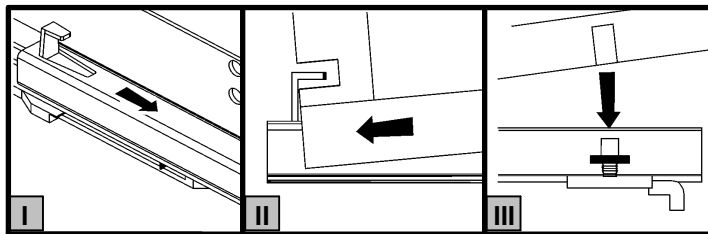




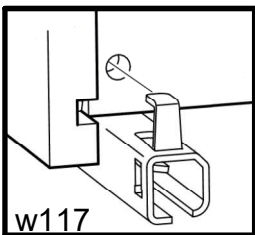
21



4x



4x



22

