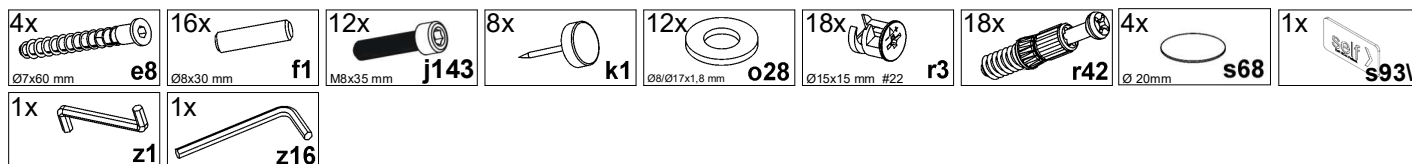


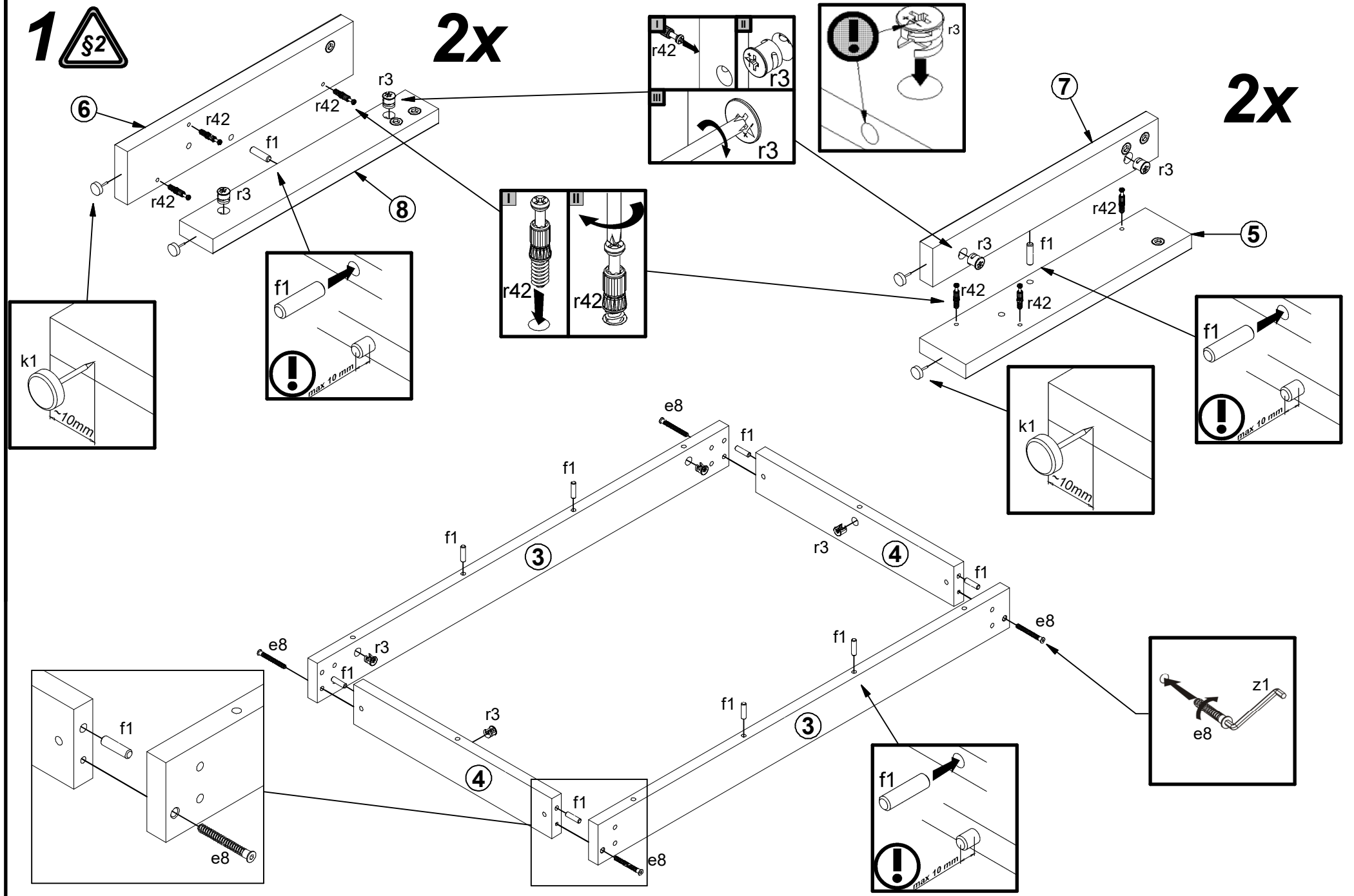
A	B	C1	C2	C3	D
1	S553-2010	1101	651	38	1\2
2	S553-3019	955	504	22	1\2
3	S553-4011	955	80	22	2\2
4	S553-4012	460	80	22	2\2
5	S553-5305	393	80	22	2\2
6	S553-5306	393	80	22	2\2
7	S553-5307	393	58	22	2\2
8	S553-5308	393	58	22	2\2

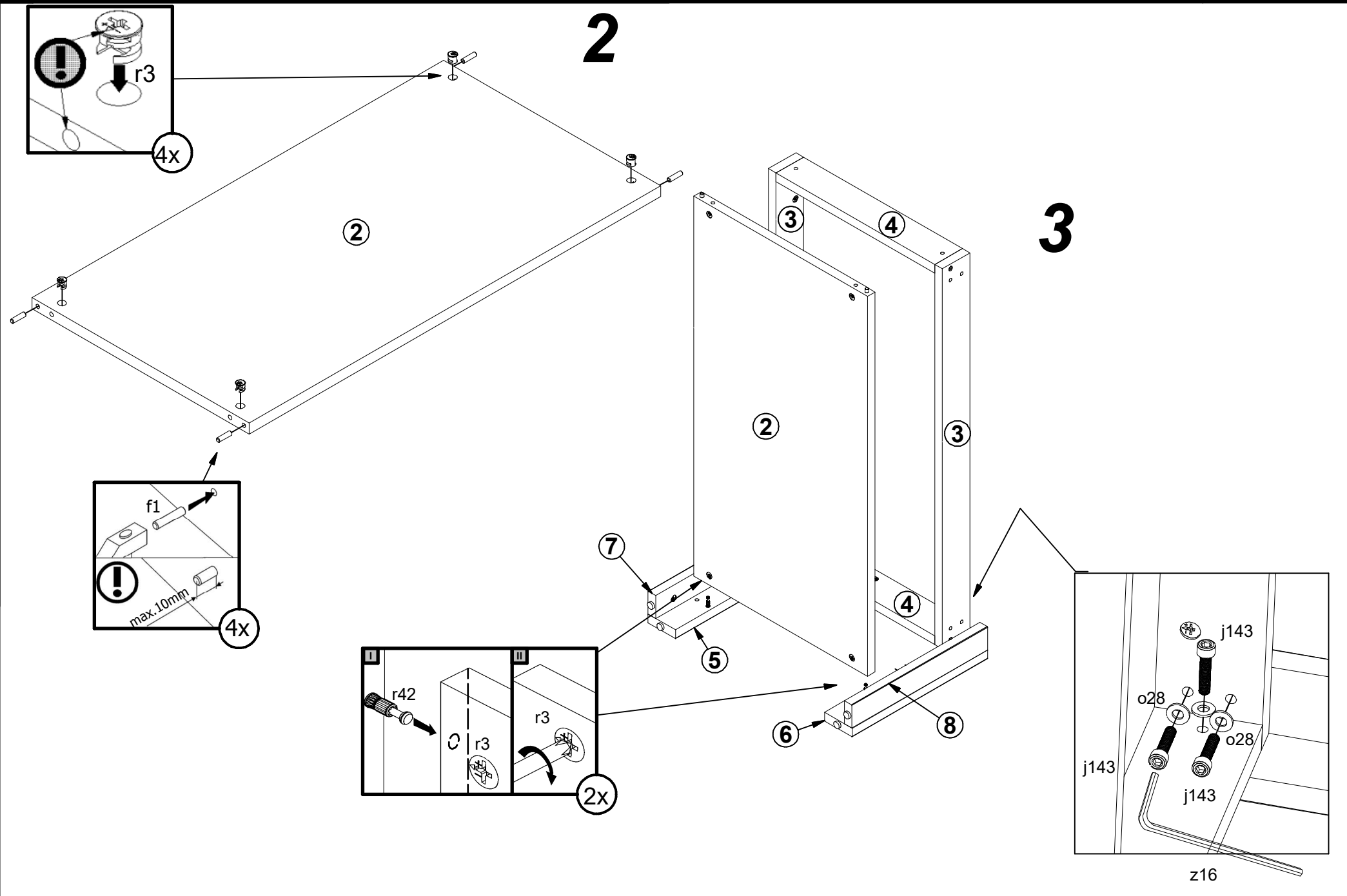


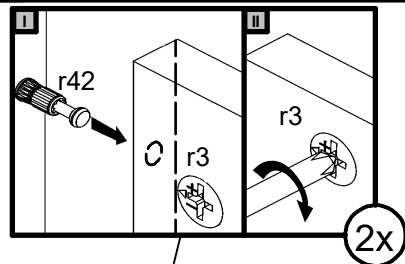
1

2x

2x







4

