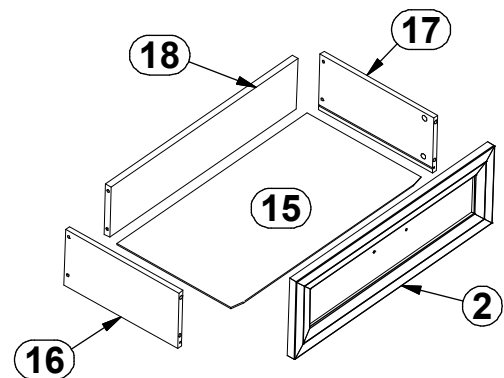
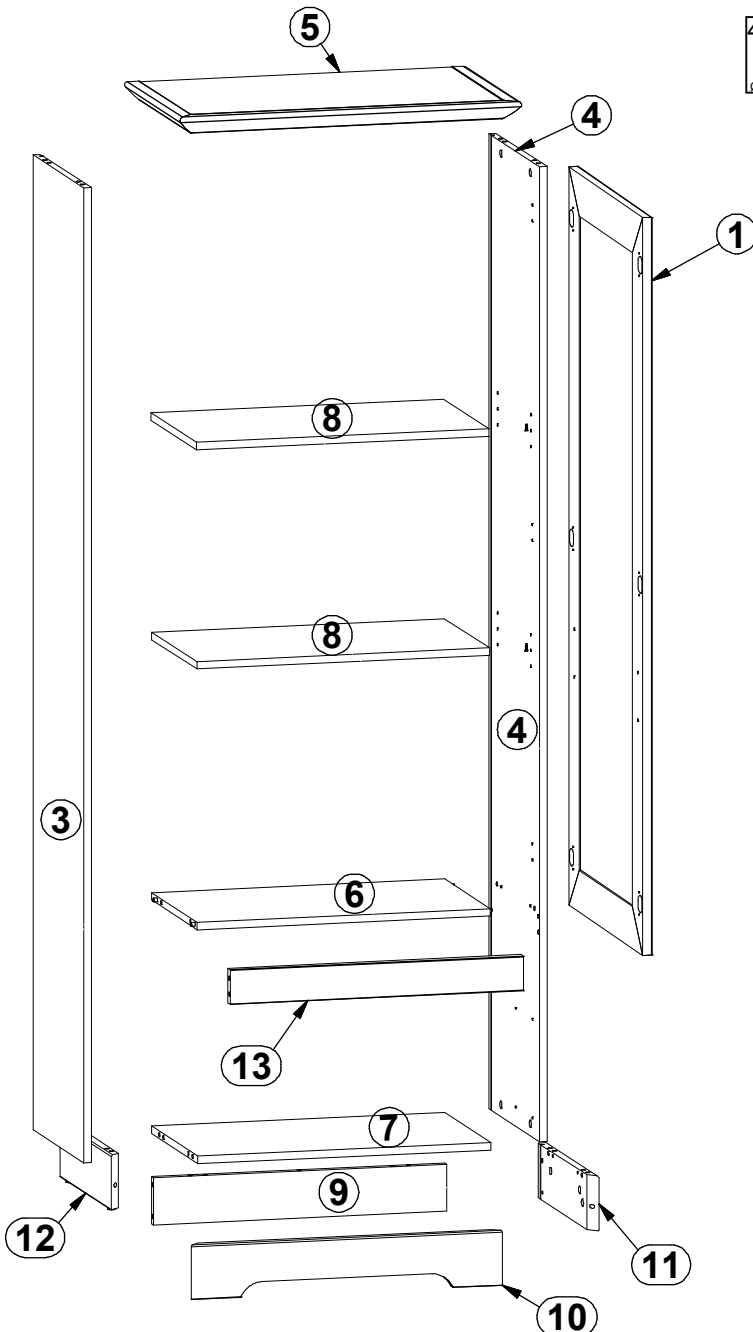
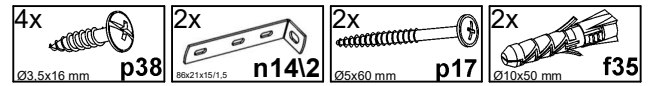
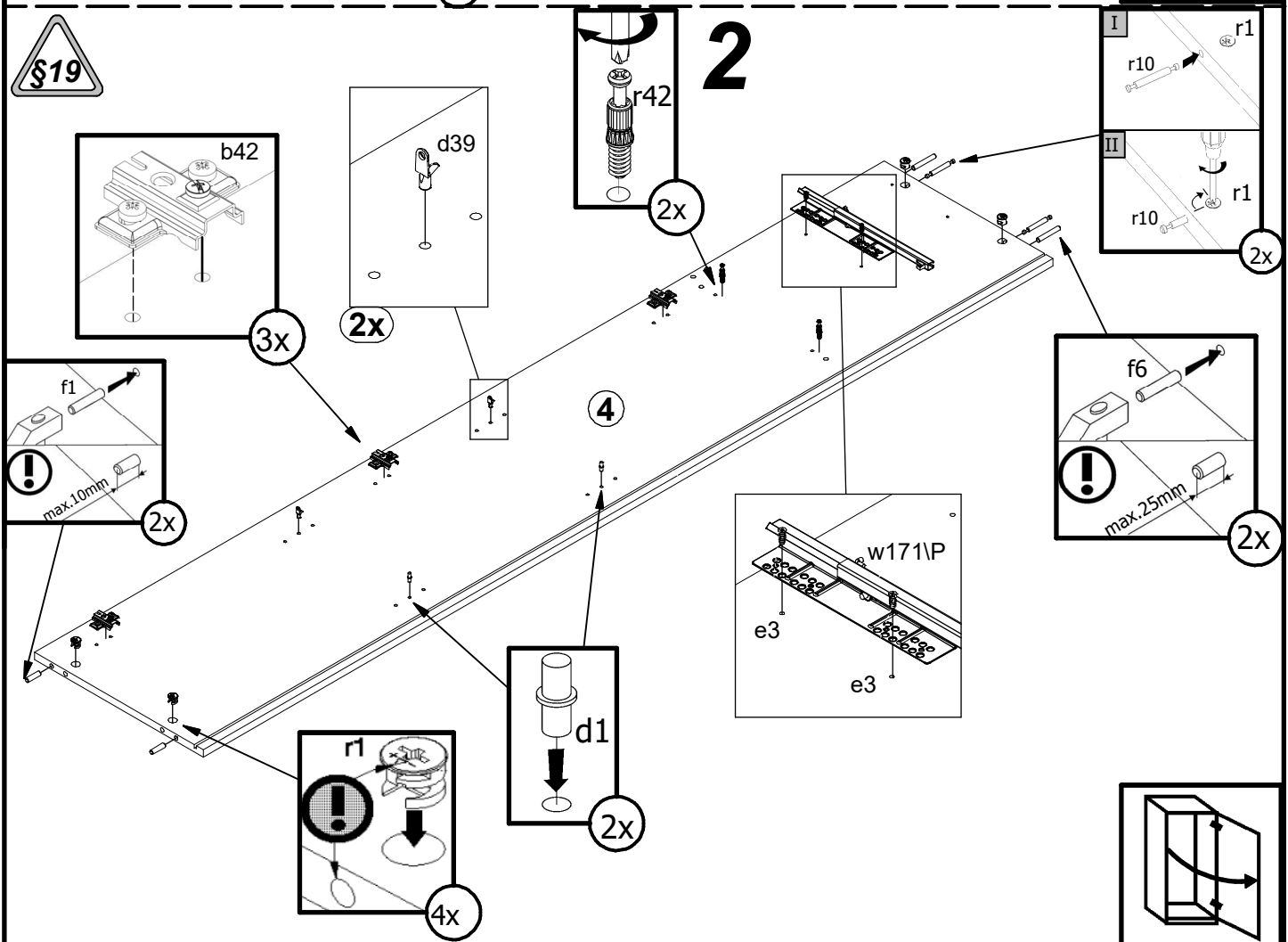
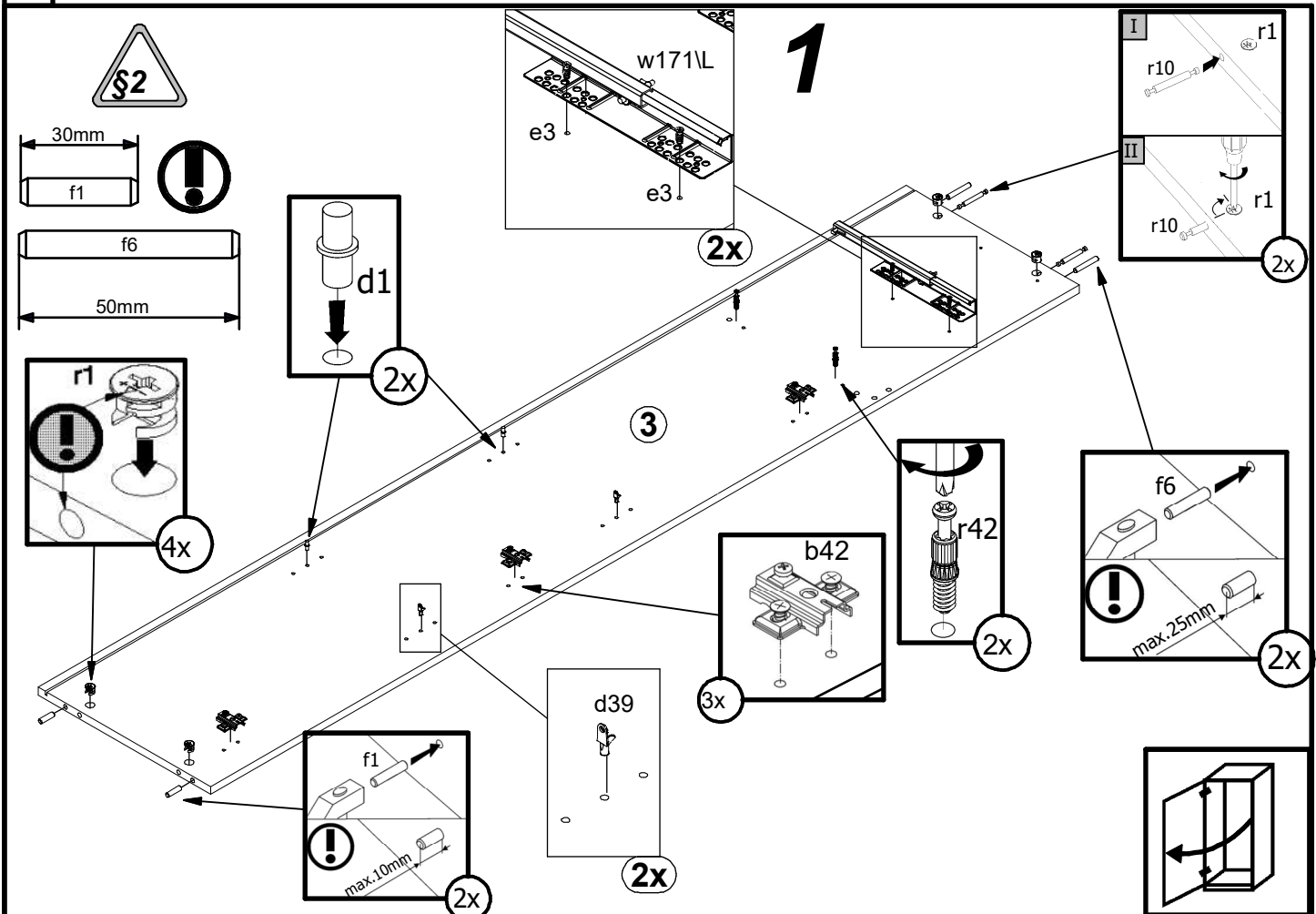
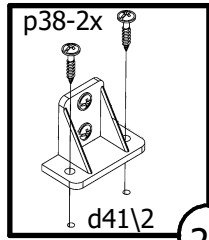


A	B	C1	C2	C3	D
1	S553-0001	1487	596	19	2\2
2	S553-0002	596	196	19	2\2
3	S553-1001	1964	390	15	2\2
4	S553-1002	1964	390	15	2\2
5	S553-2001	702	425	38	1\2
6	S553-3001	602	350	15	1\2
7	S553-3002	602	355	15	1\2
8	S553-3003	601	348	15	1\2
9	S553-4001	602	95	15	1\2
10	S553-5008	640	110	19	1\2
11	S553-5009	394	110	19	1\2
12	S553-5010	394	110	19	1\2
13	S553-5807	602	70	19	1\2
14	S553-9001	2005	612	2,5	2\2
15	WSP-9443	572	308	2,5	1\2
16	ZQ6-509	300	140	12	1\2
17	ZQ6-510	300	140	12	1\2
18	ZQ6-5142	562	127	15	1\2

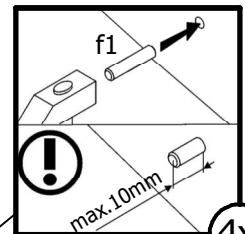




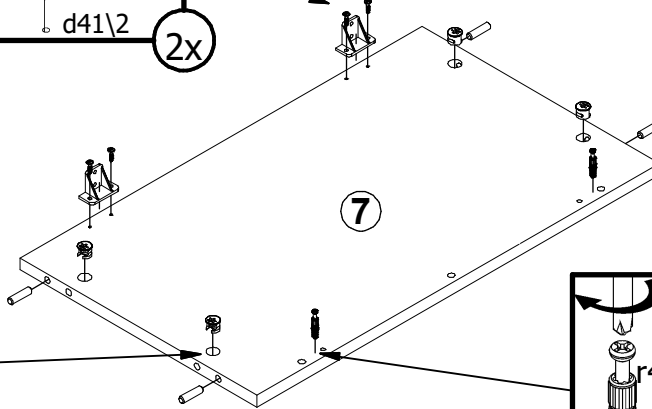
3



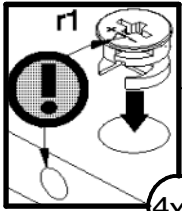
2x



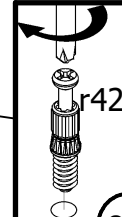
4x



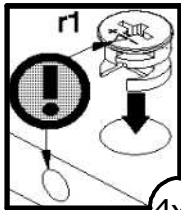
7



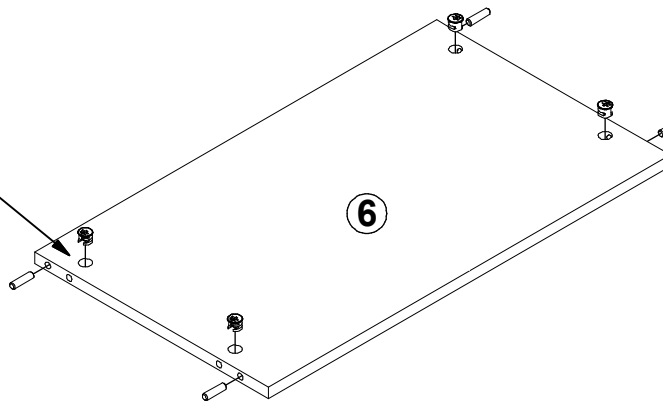
4x



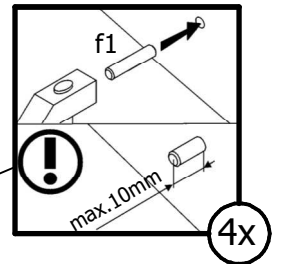
2x



4x



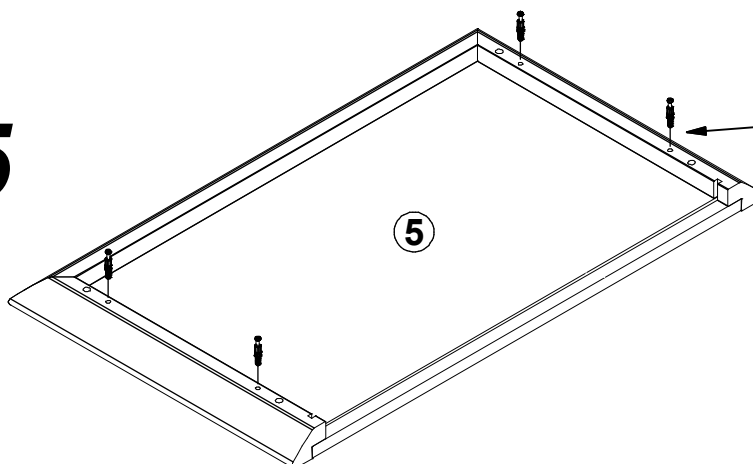
6



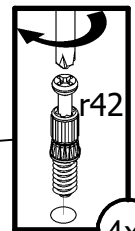
4x

4

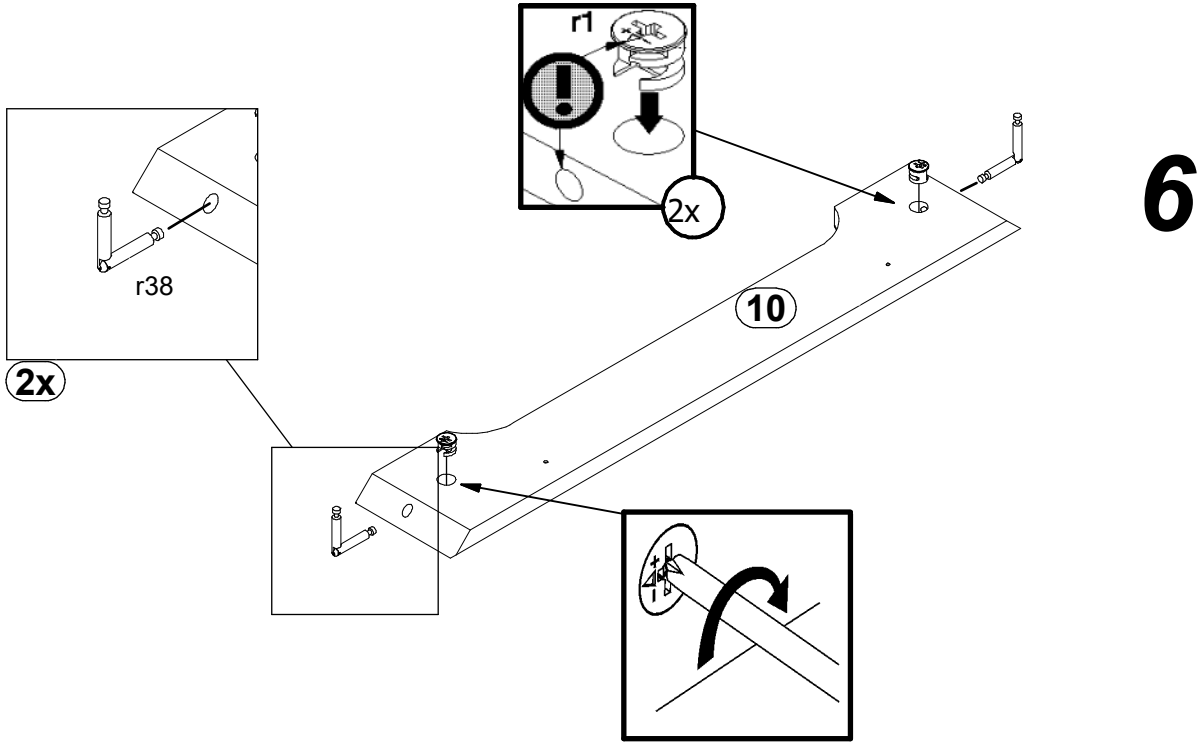
5



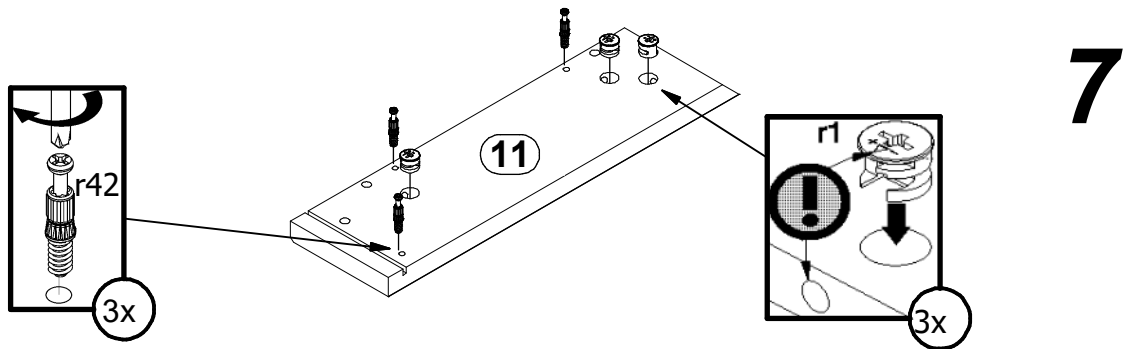
5



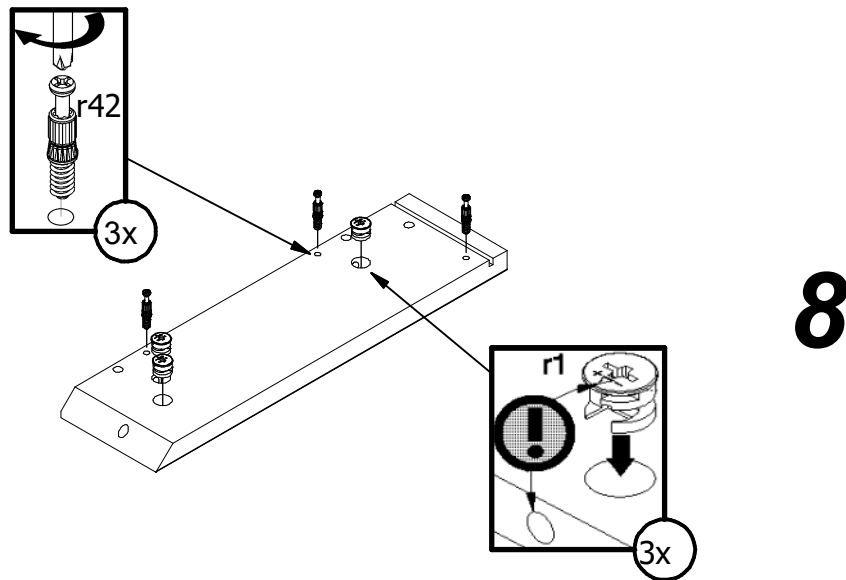
4x



6

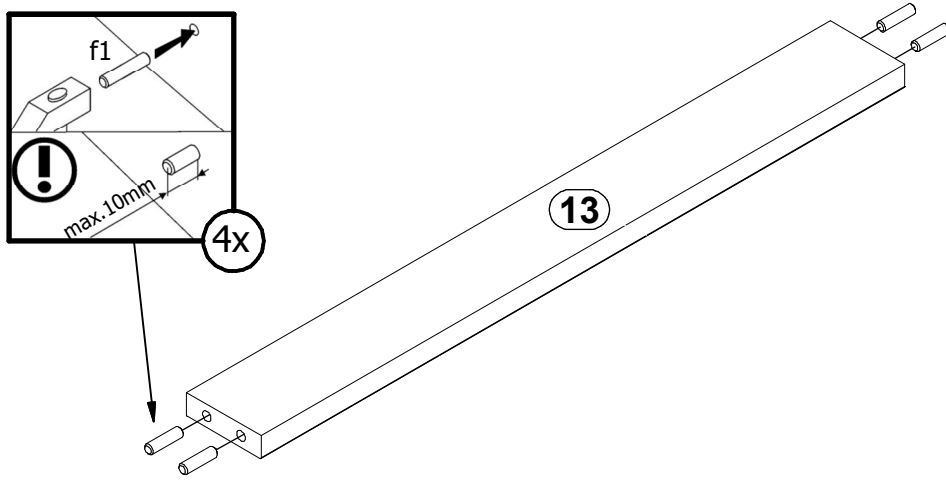


7

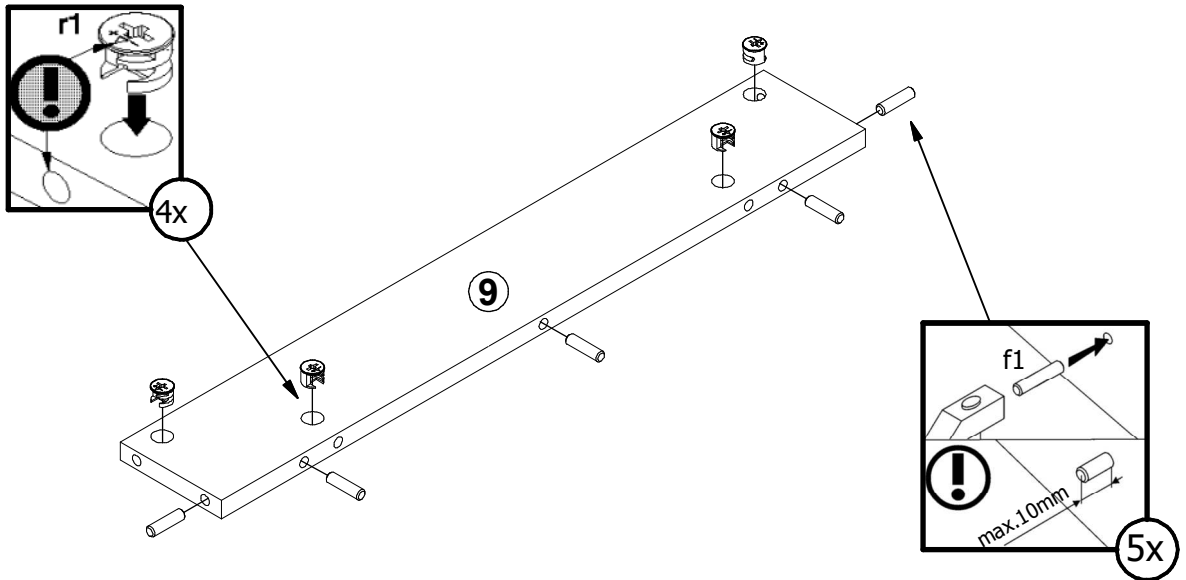


8

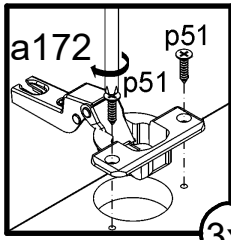
9



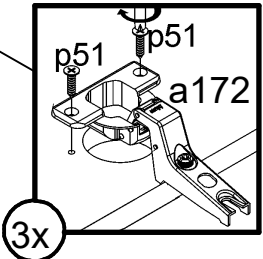
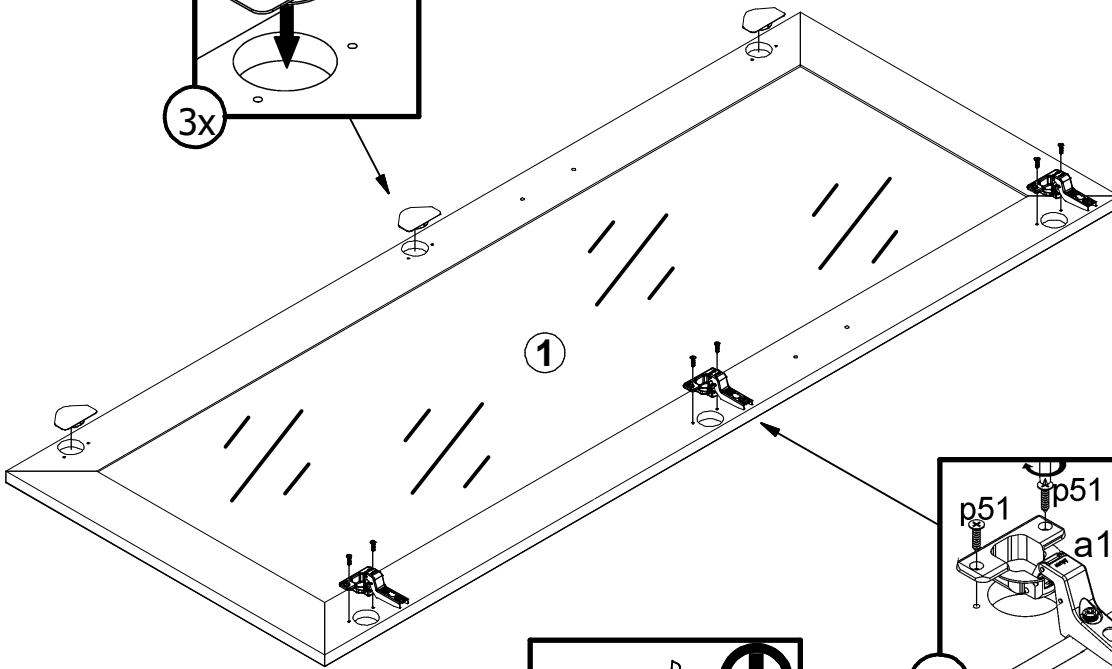
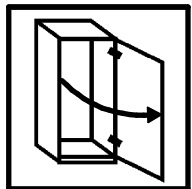
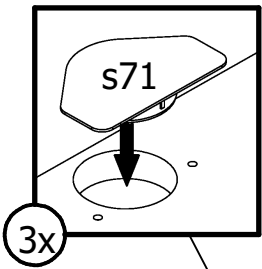
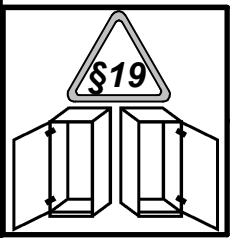
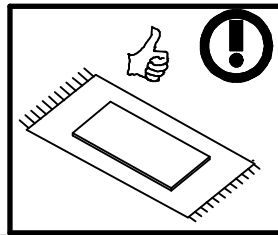
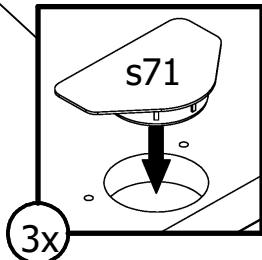
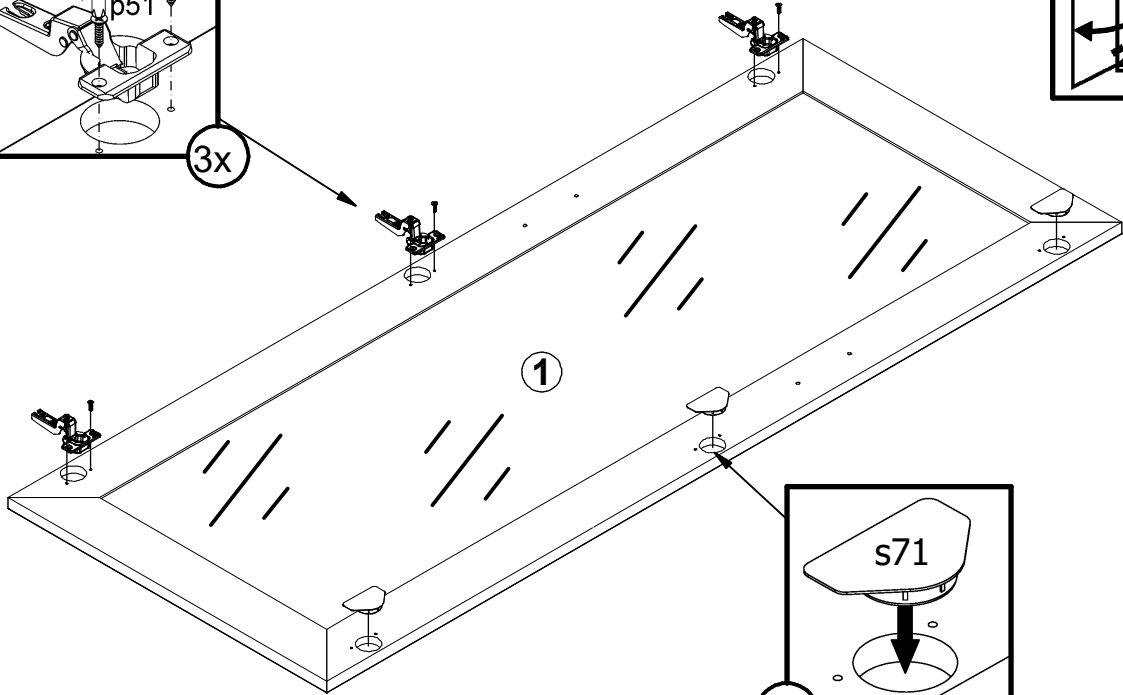
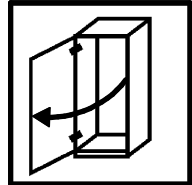
10



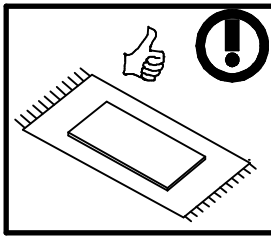
11



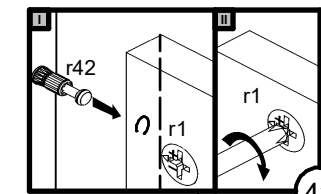
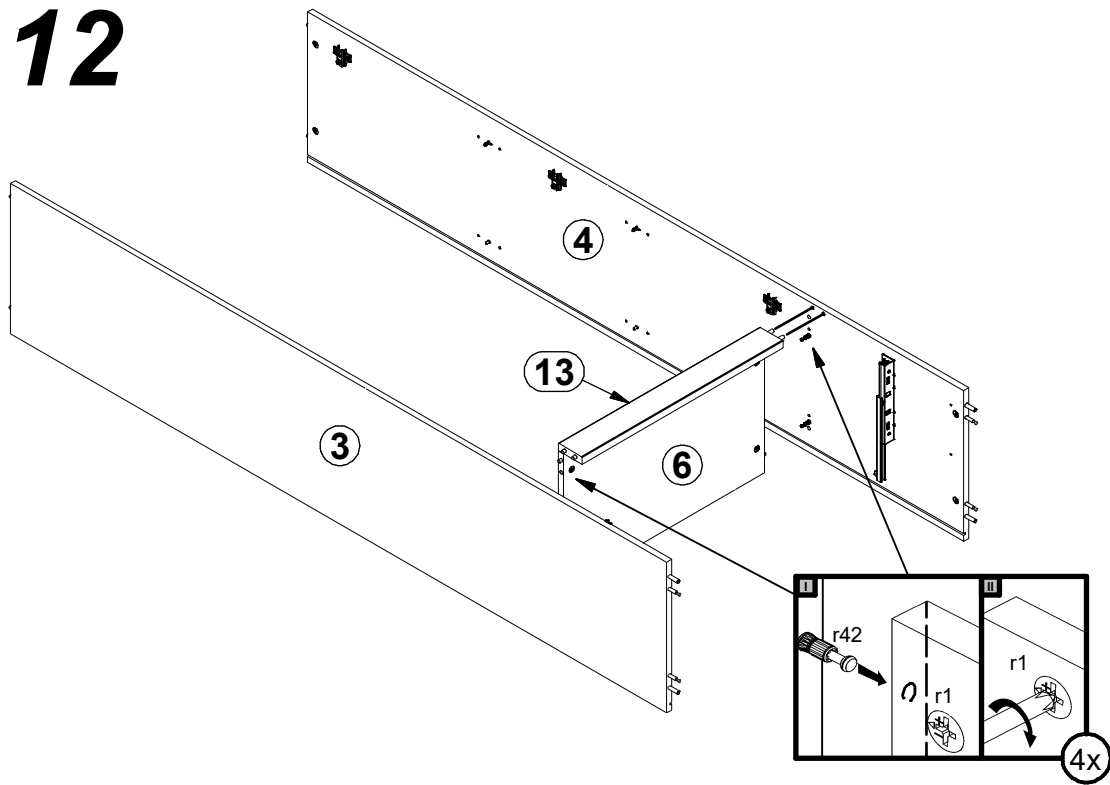
3x



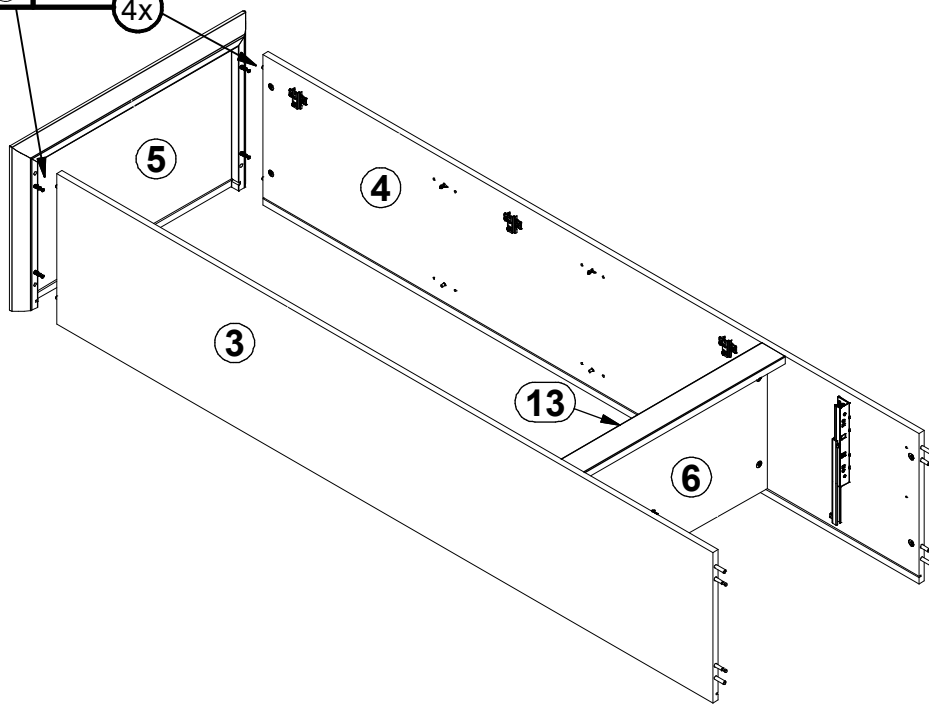
3x



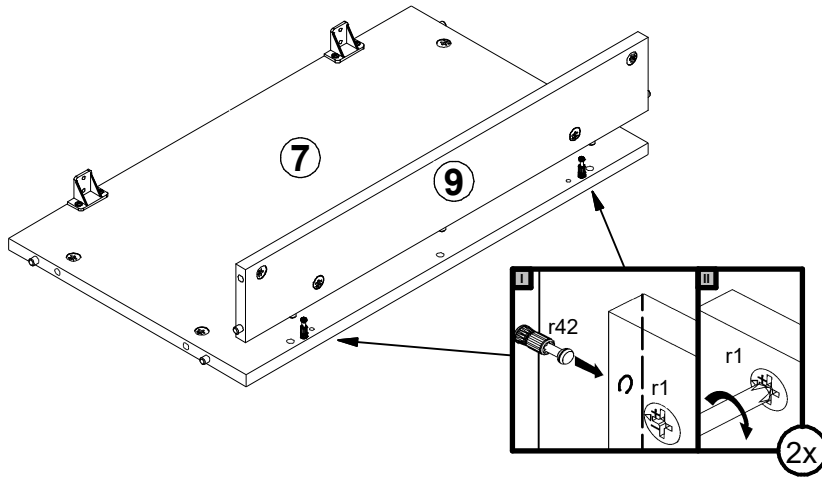
12



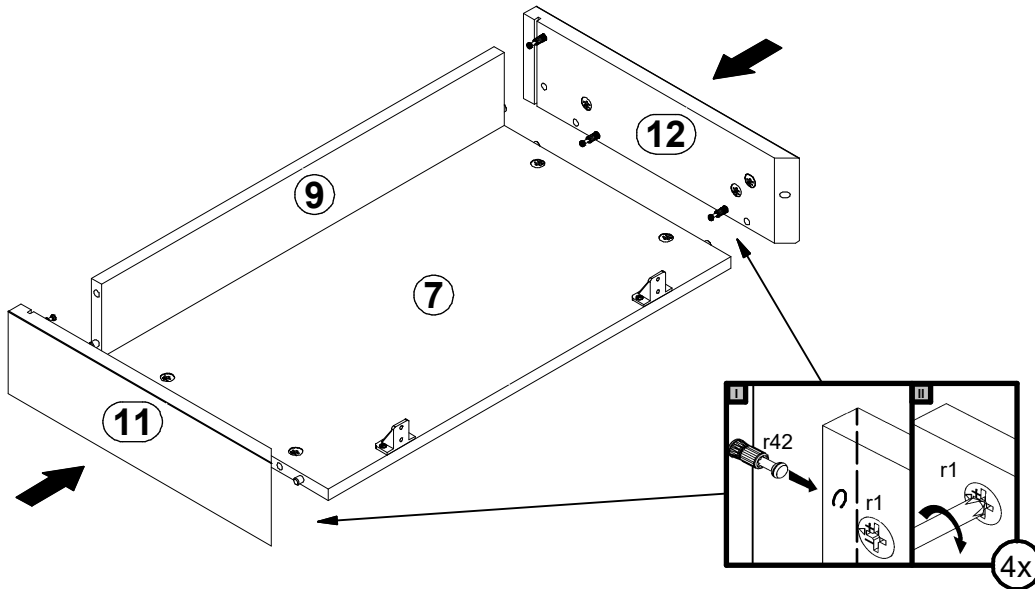
13



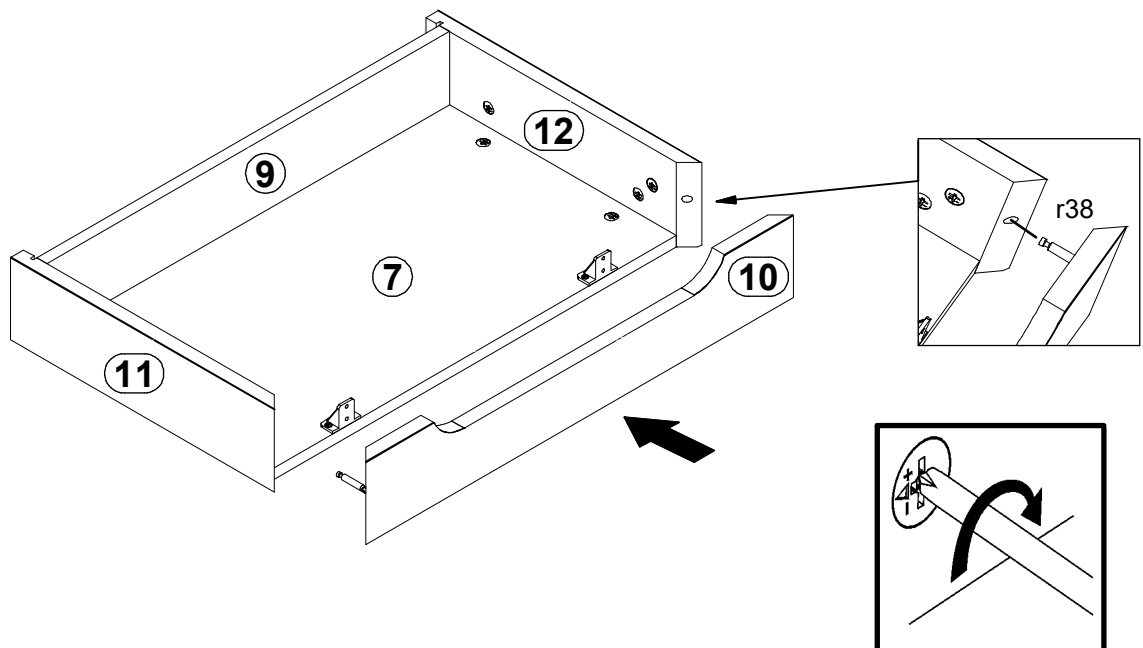
13



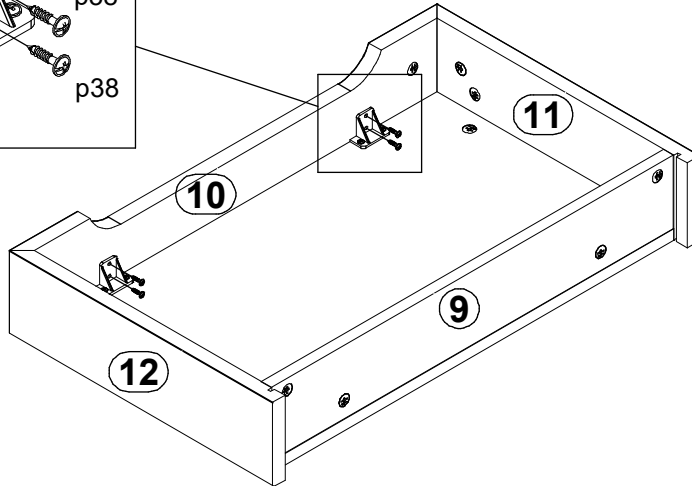
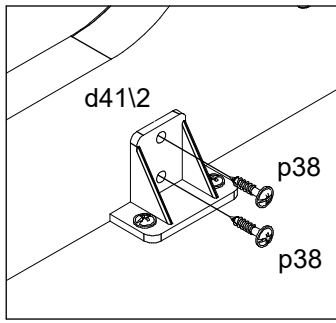
14



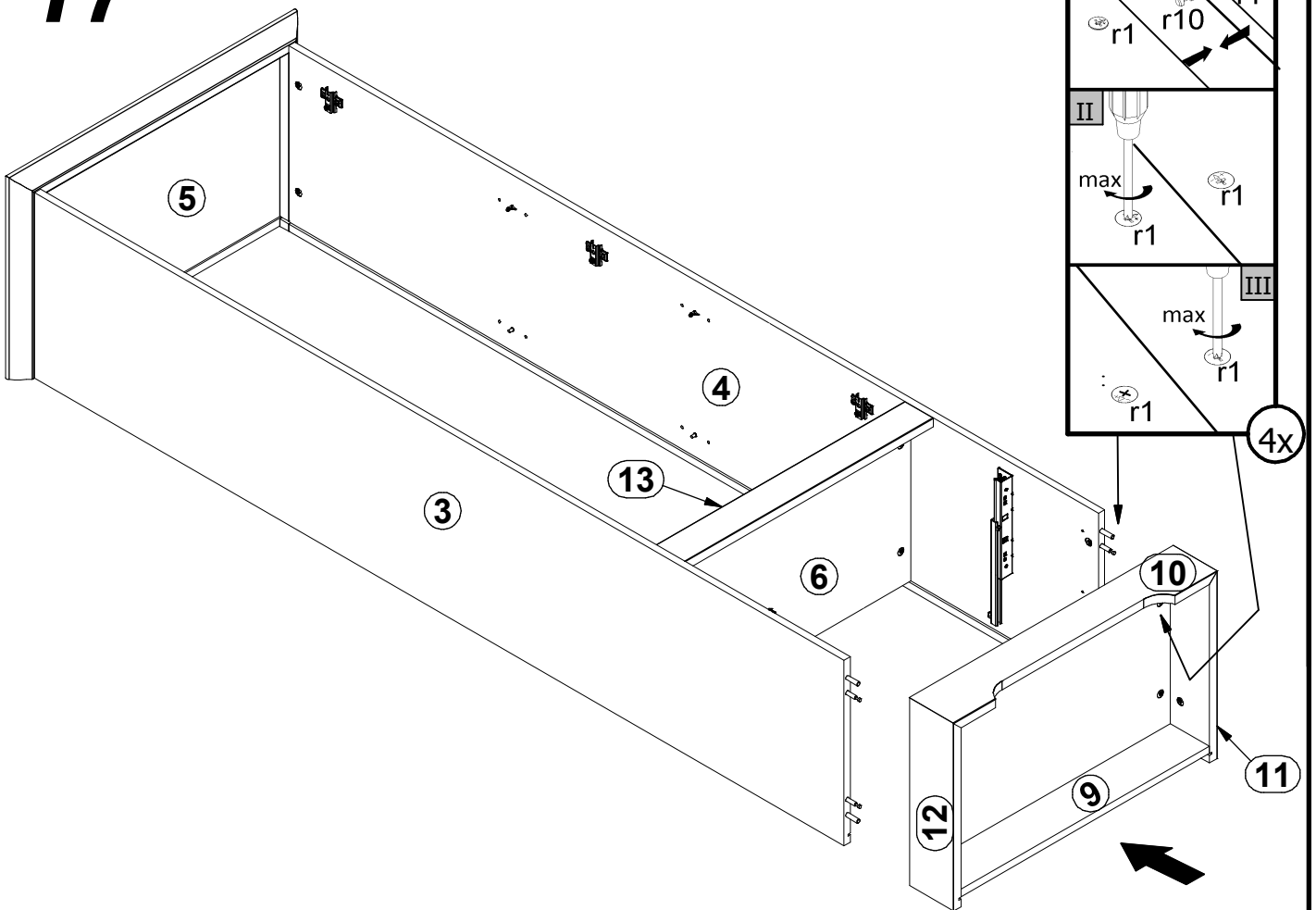
15



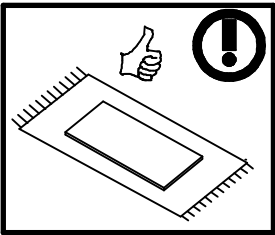
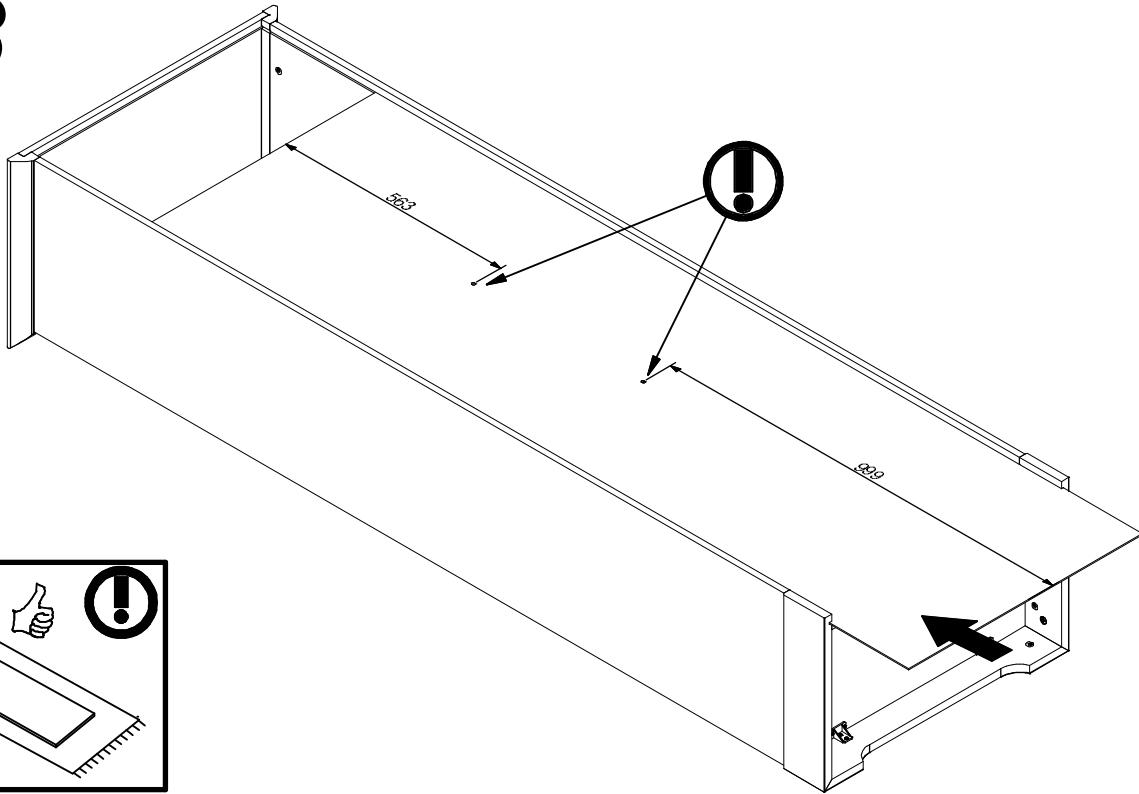
16



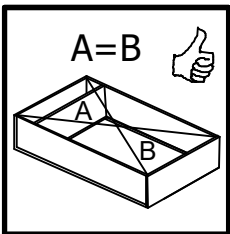
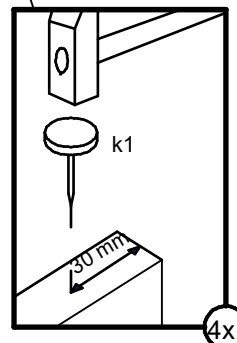
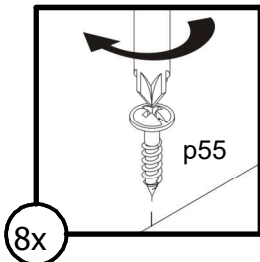
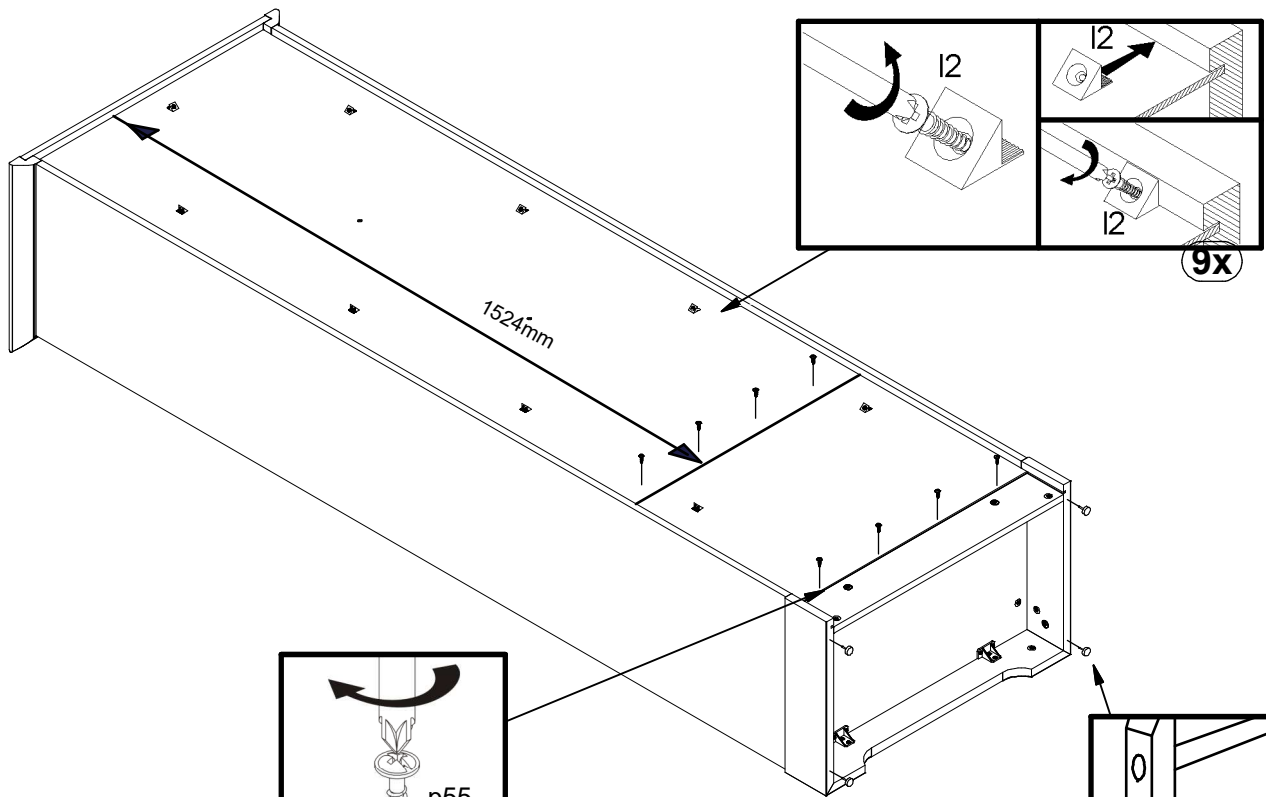
17



18



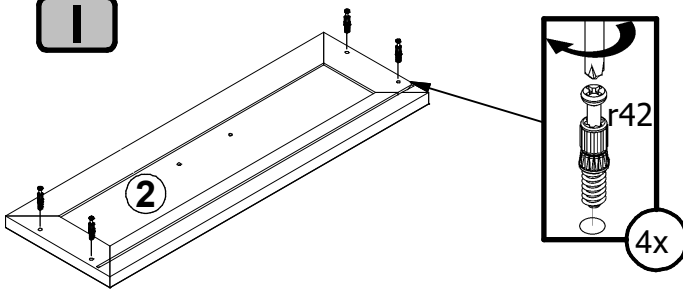
19



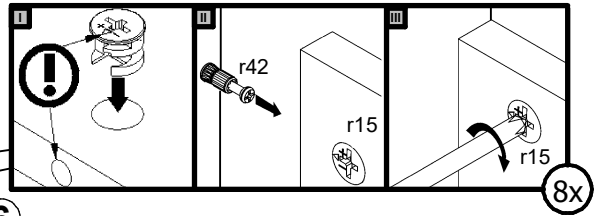
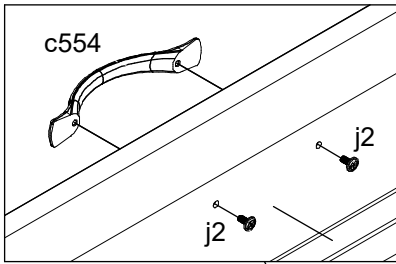
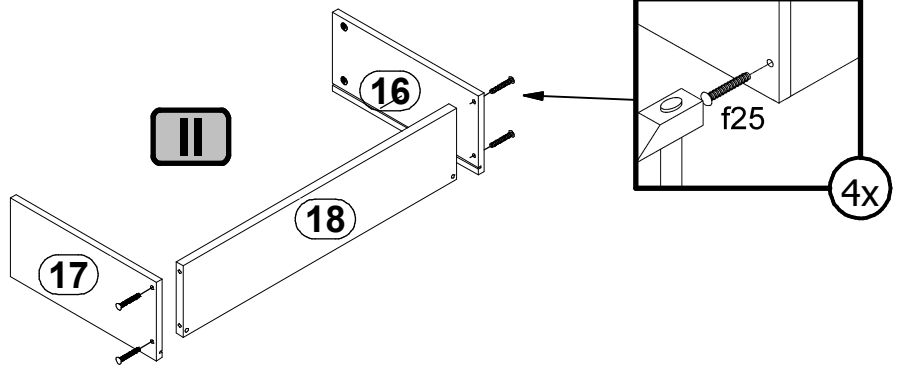
19

2x

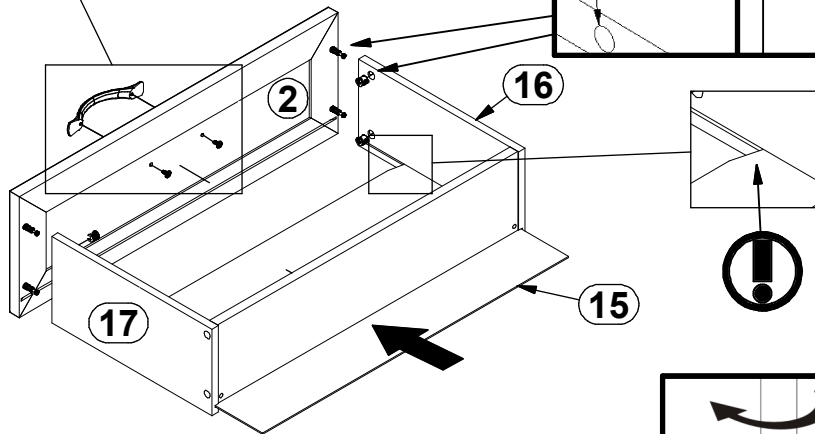
I



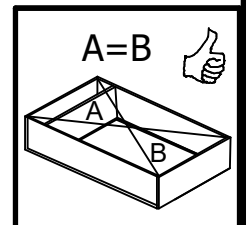
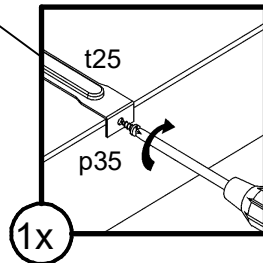
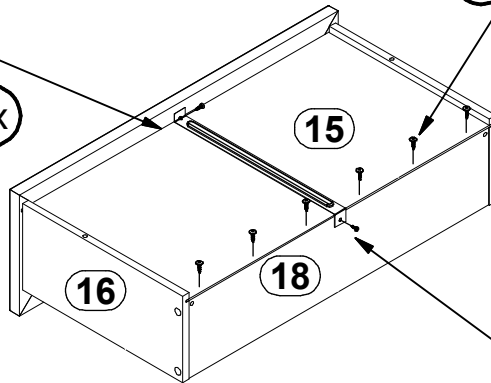
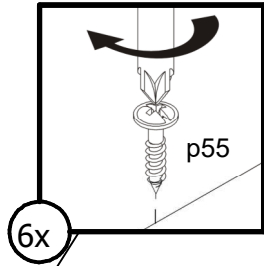
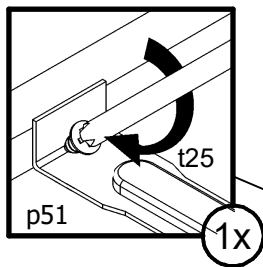
II



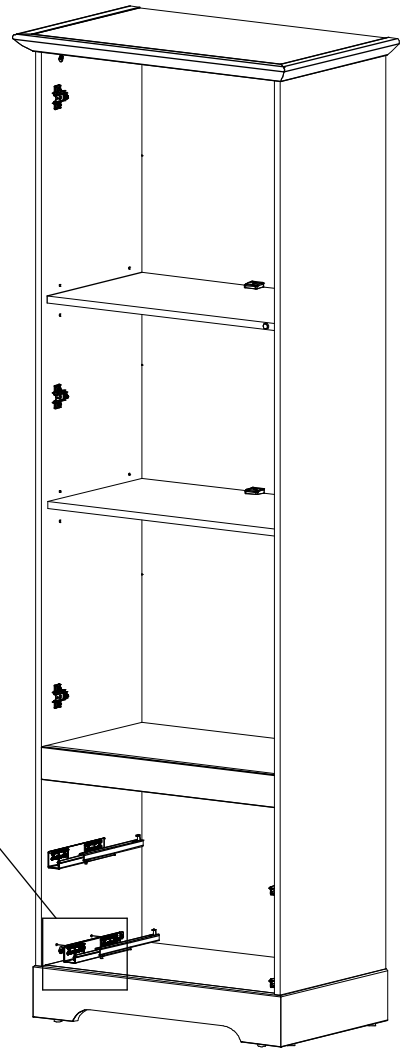
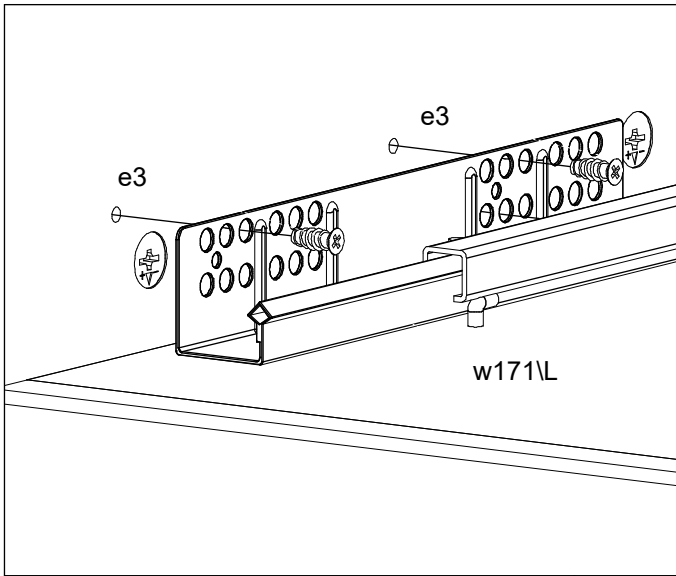
III



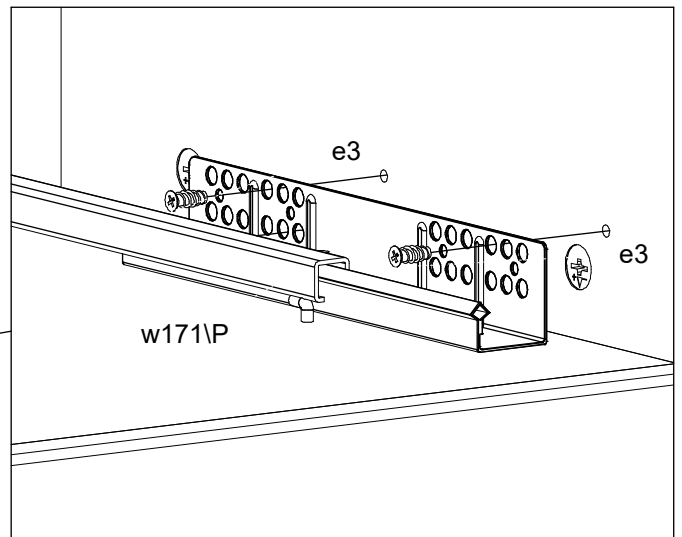
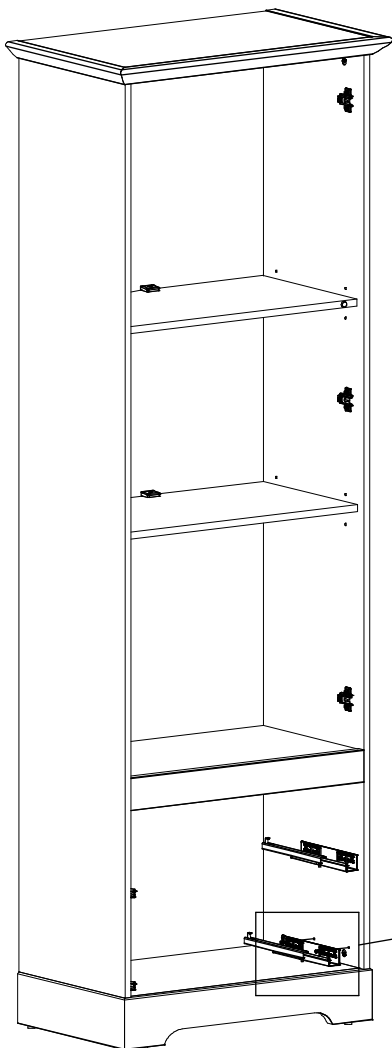
IV



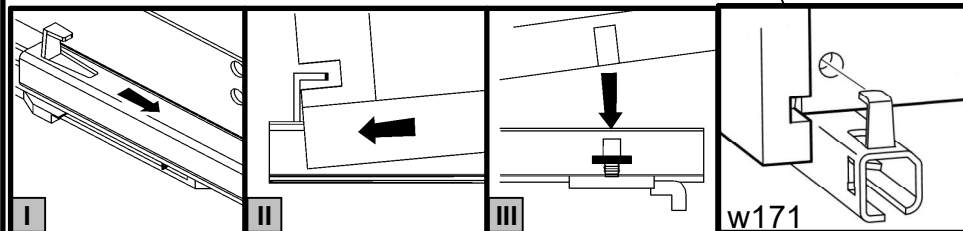
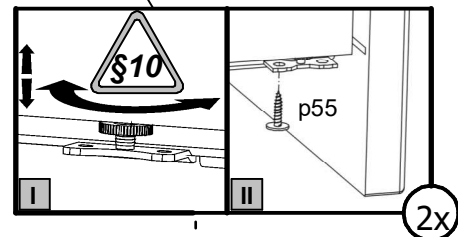
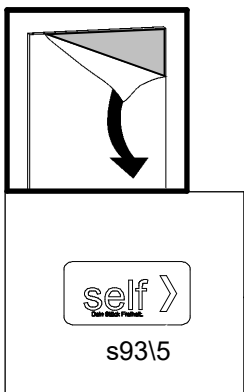
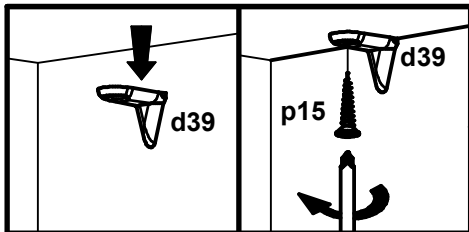
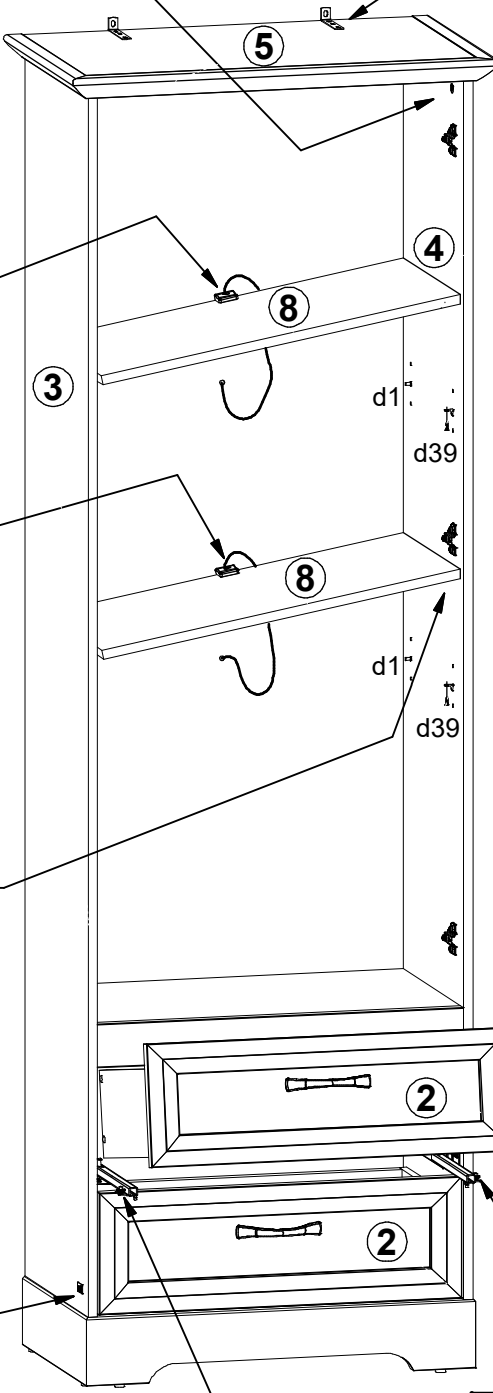
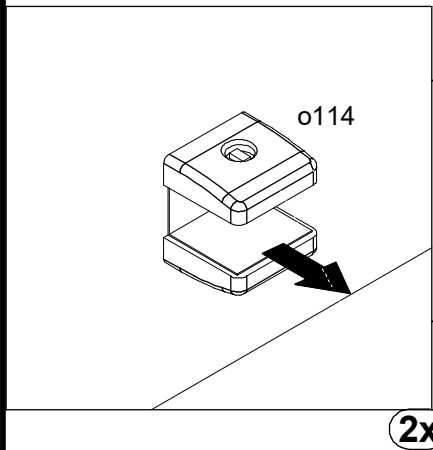
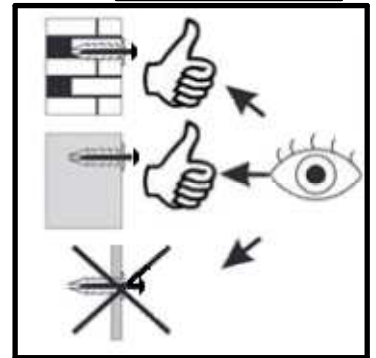
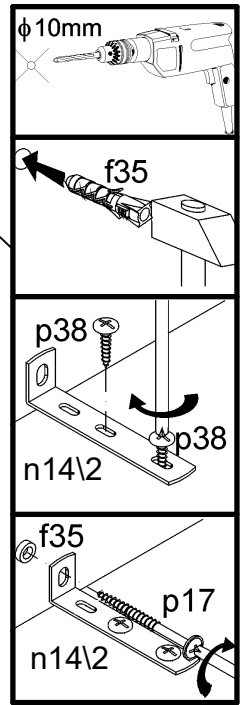
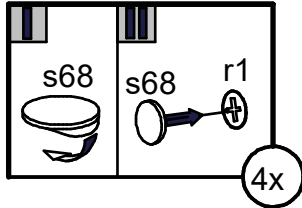
20



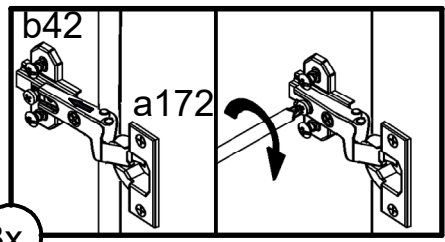
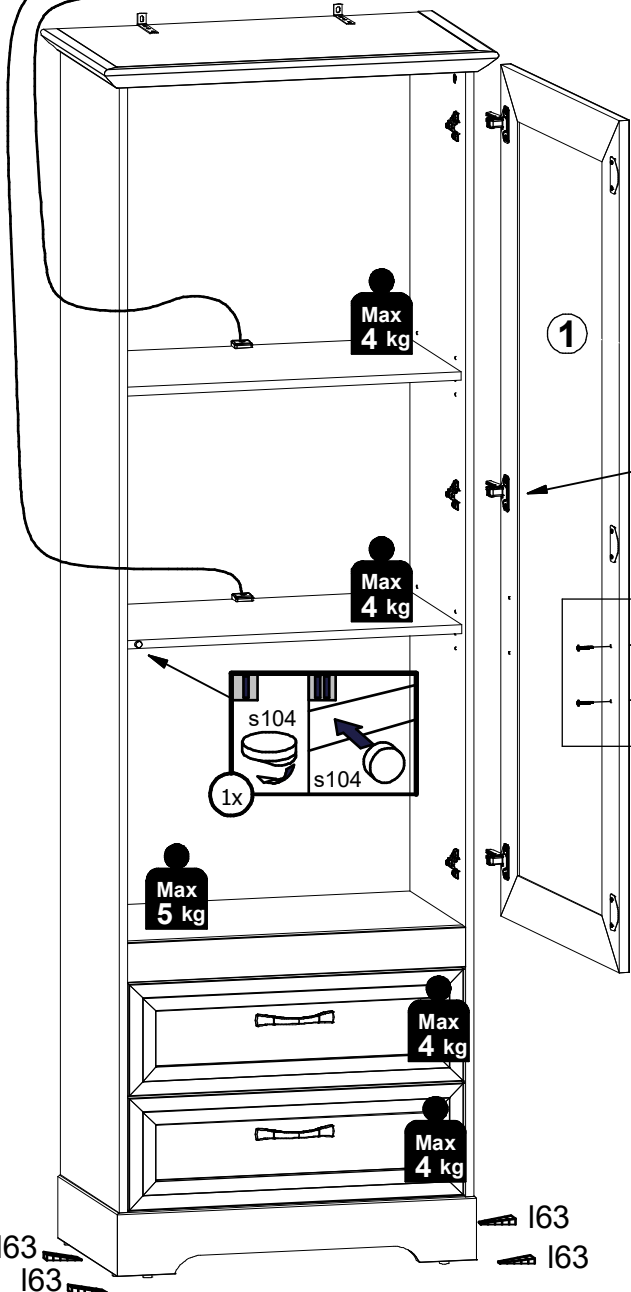
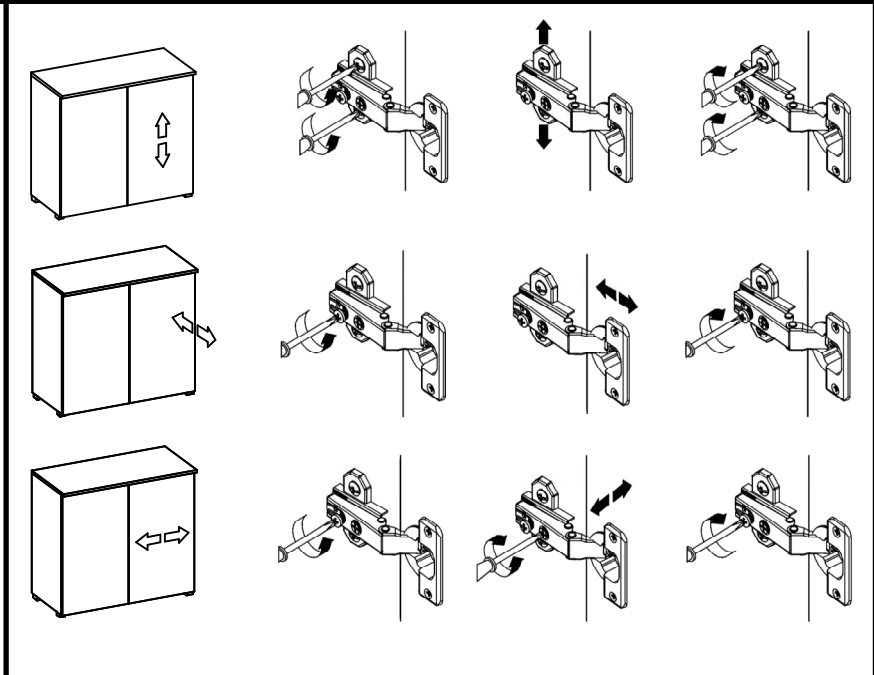
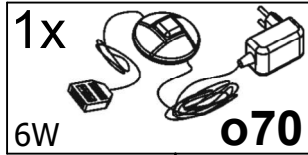
21



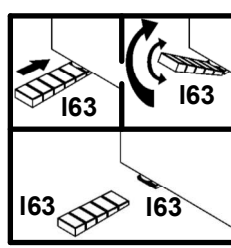
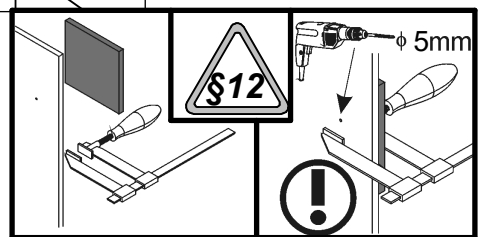
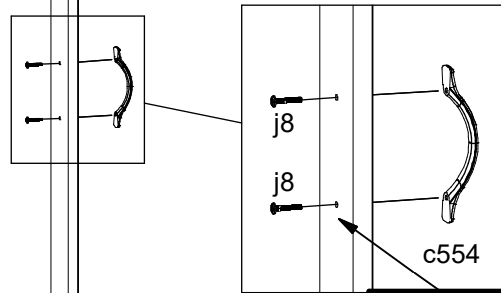
22



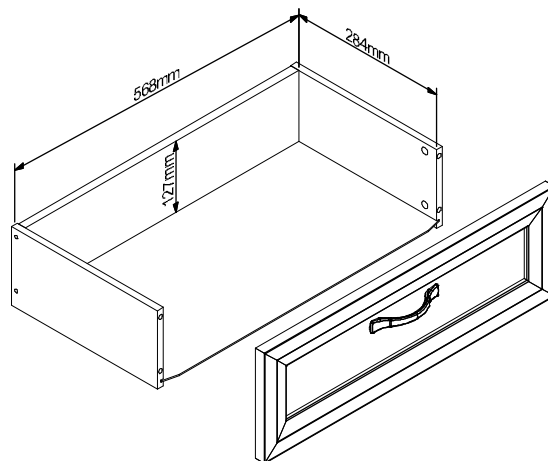
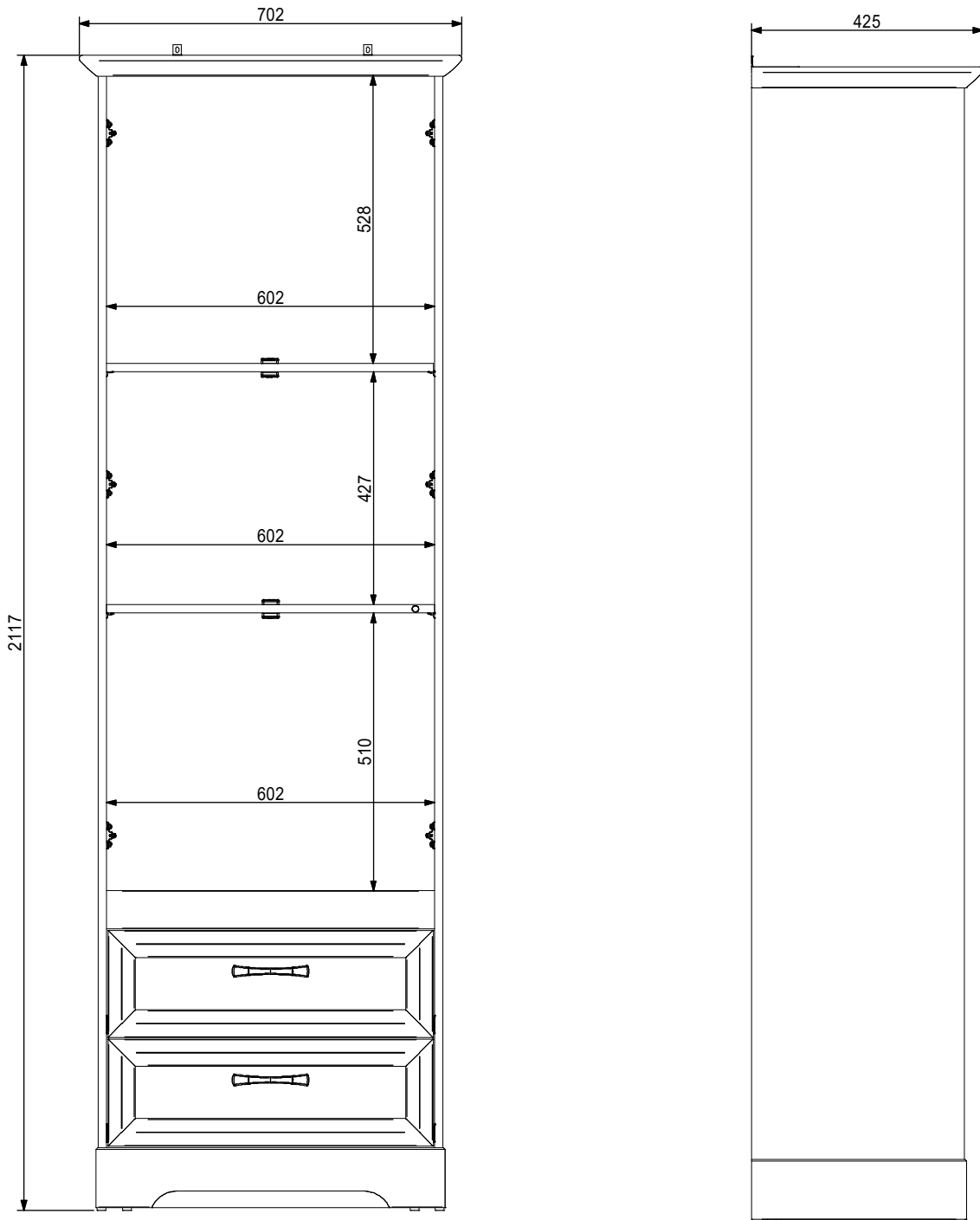
23

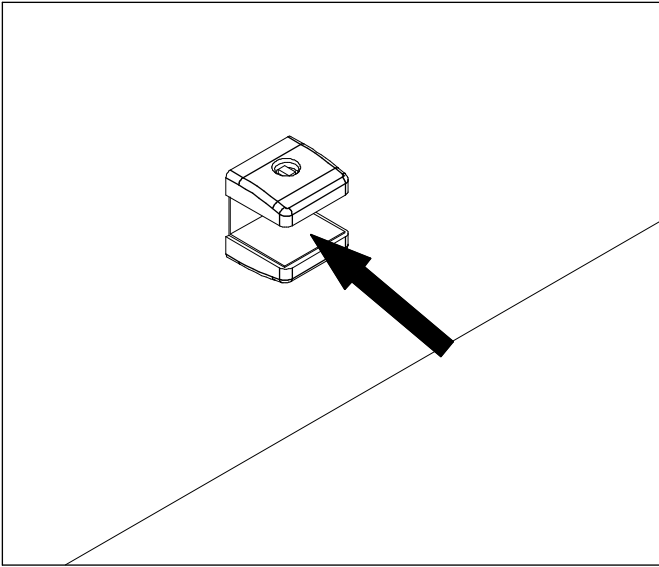


3x



I63
I63





LED ZETA S 2S
NW

