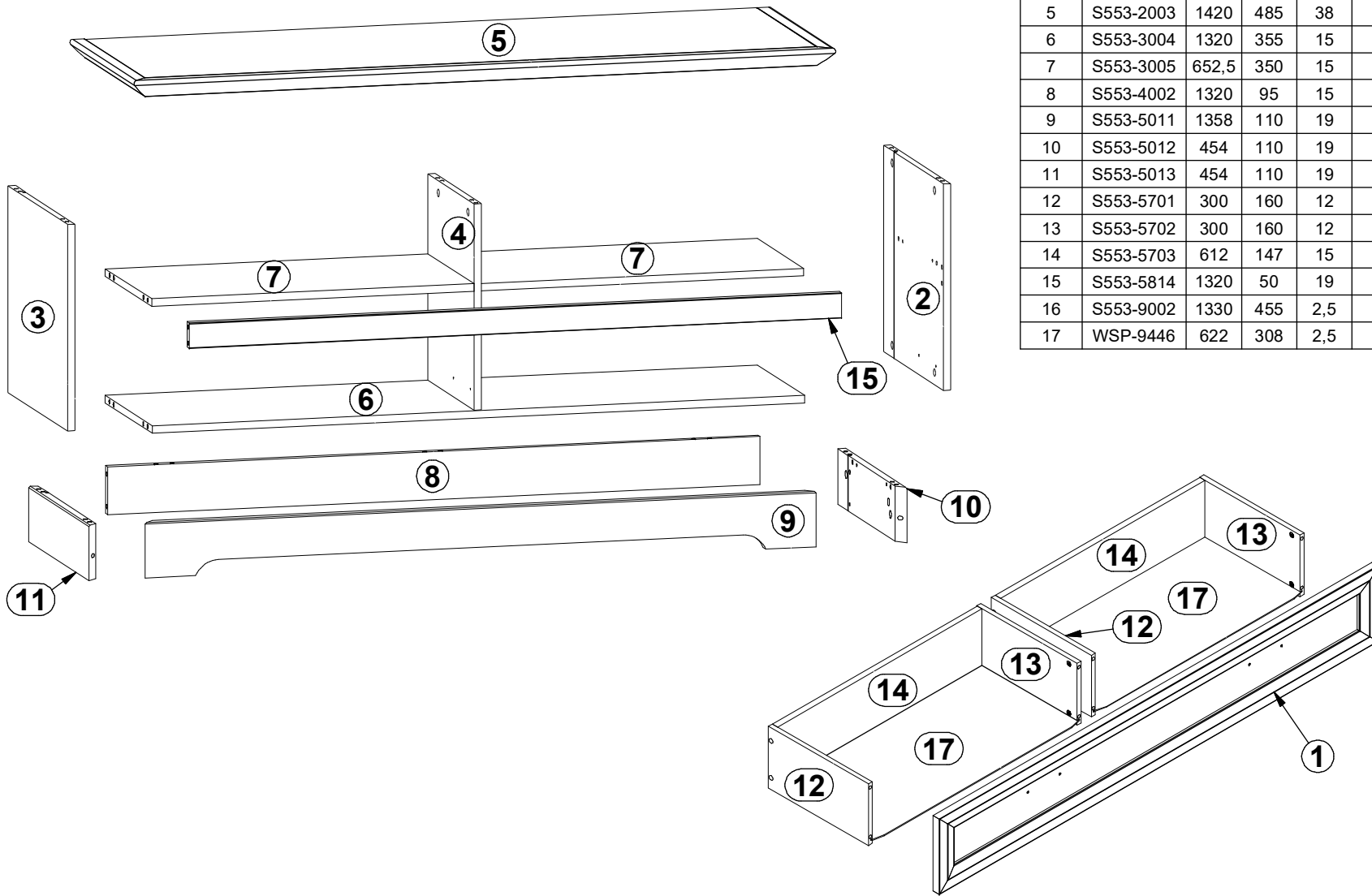


2x c554	7x d41\2
2x Ø7x50 mm e1	8x Ø6x13 mm e3
25x Ø8x30 mm f1	6x Ø8x50 mm f6
8x Ø6,5x40 mm f25	4x M4x9 mm j2
4x k1	5x l2
2x Ø3,5x10 mm p35	28x Ø3,5x16 mm p38
2x Ø3,5x15 mm p51	36x Ø2,9x16 mm p55
35x Ø15x12 mm #16 r1	6x r10
8x Ø12x10,5 mm #12 r15	2x 39/39 r38
27x 20/11 r42	6x Ø20mm s68
2x 300 mm t25	2x 300 mm w171L
2x 300 mm w171P	1x s9315
1x z1	



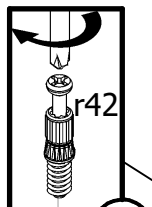
A	B	C1	C2	C3	D
1	S553-0003	1314	196	19	2\2
2	S553-1003	410	450	15	2\2
3	S553-1004	410	450	15	2\2
4	S553-1005	410	350	15	2\2
5	S553-2003	1420	485	38	2\2
6	S553-3004	1320	355	15	2\2
7	S553-3005	652,5	350	15	1\2
8	S553-4002	1320	95	15	2\2
9	S553-5011	1358	110	19	2\2
10	S553-5012	454	110	19	1\2
11	S553-5013	454	110	19	1\2
12	S553-5701	300	160	12	1\2
13	S553-5702	300	160	12	1\2
14	S553-5703	612	147	15	1\2
15	S553-5814	1320	50	19	2\2
16	S553-9002	1330	455	2,5	2\2
17	WSP-9446	622	308	2,5	1\2



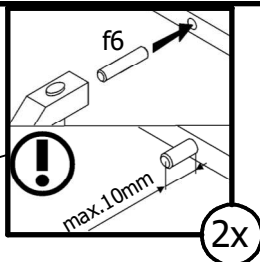
2x Ø10x50 mm f35	2x Ø5x80 mm p17	4x Ø3,5x16 mm p38	2x 88x21x15/1,5 n14\2
------------------------	-----------------------	-------------------------	-----------------------------



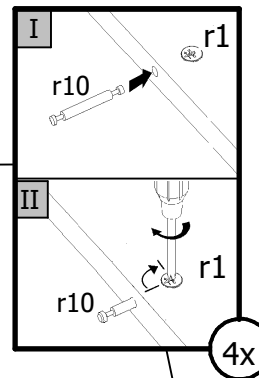
1



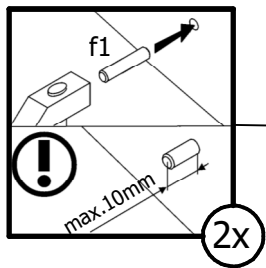
2x



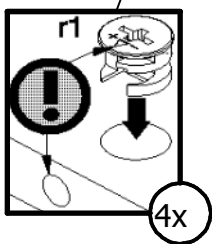
2x



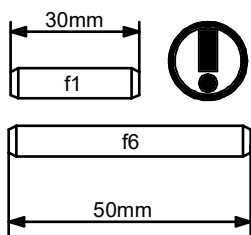
4x



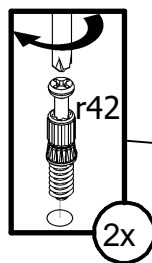
2x



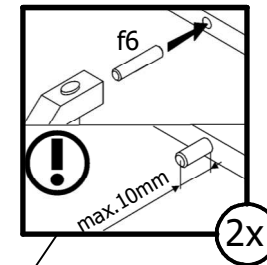
4x



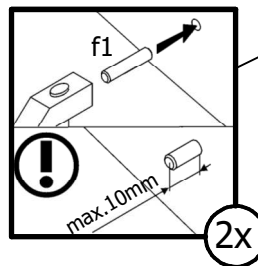
2



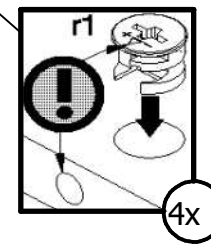
2x



2x

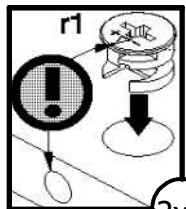


2x

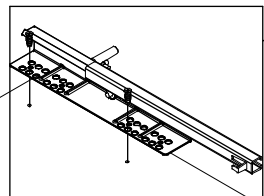
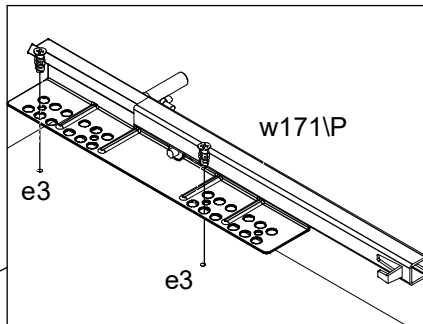


4x

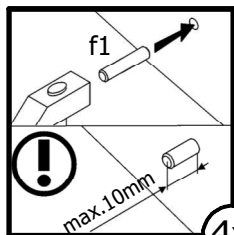
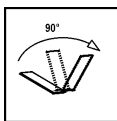
3



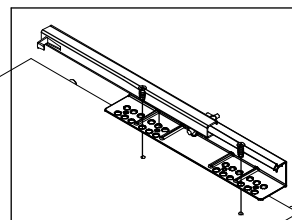
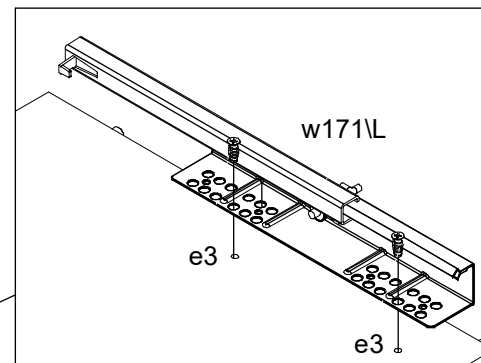
2x



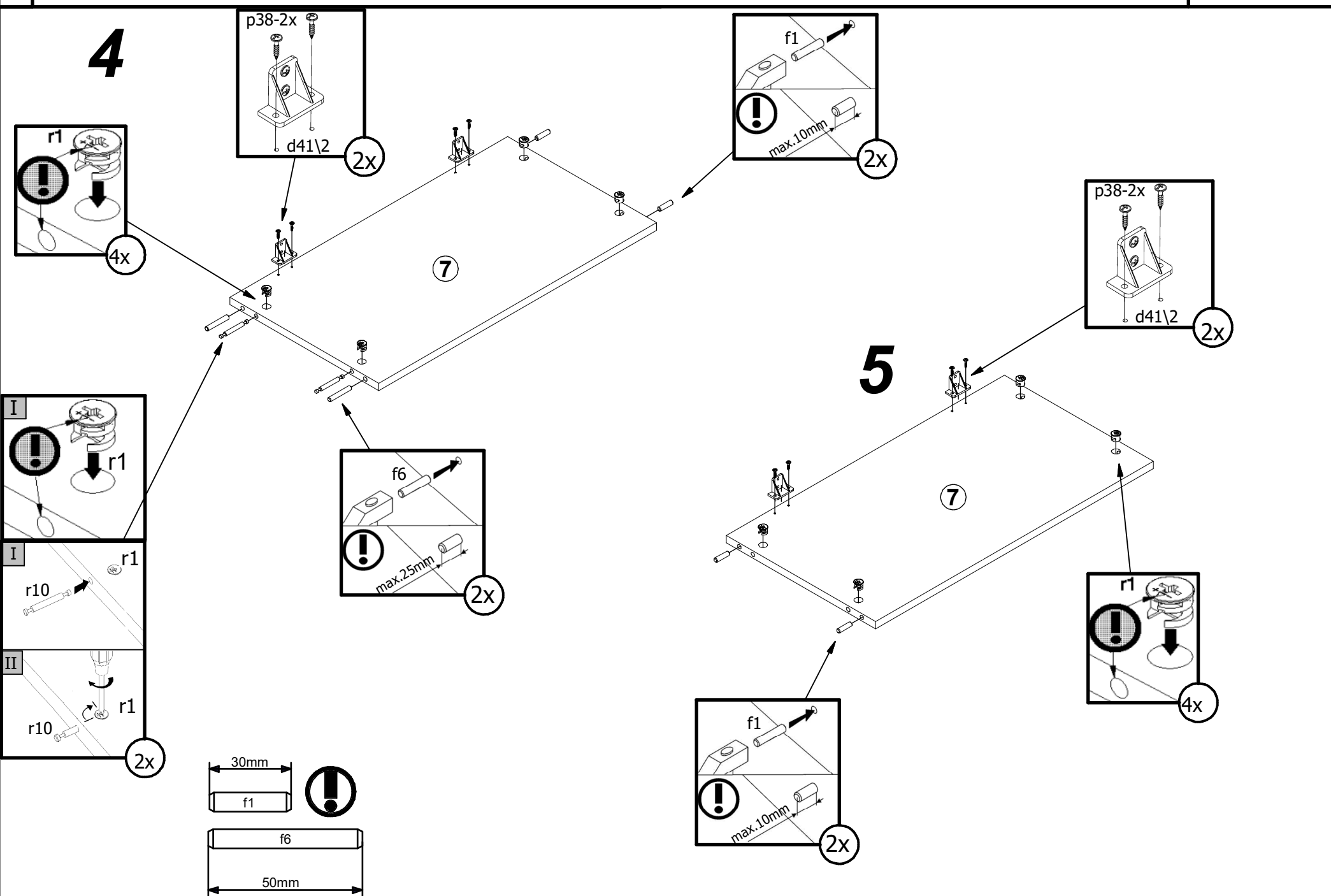
4

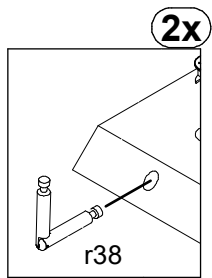


4x

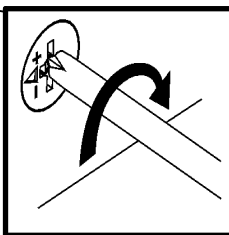
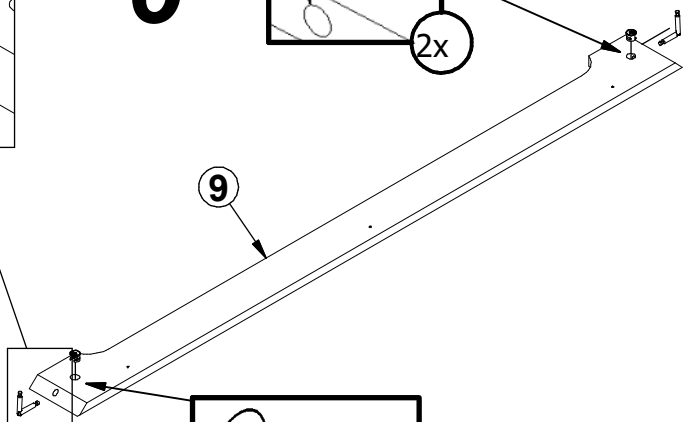
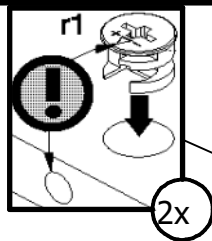


4

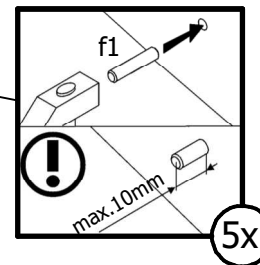
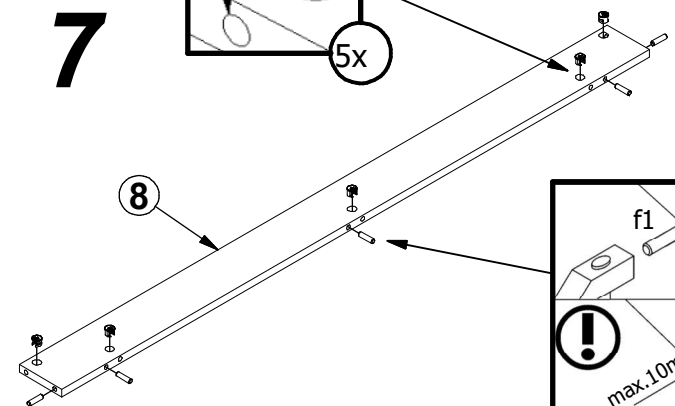
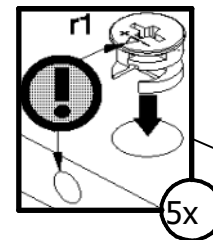




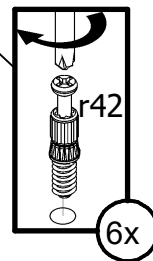
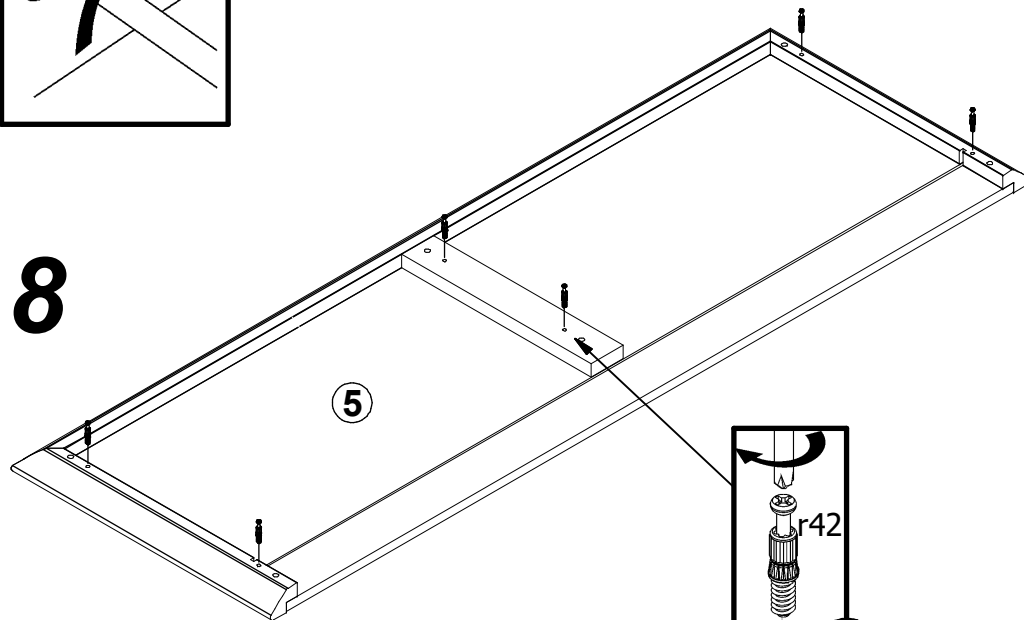
6

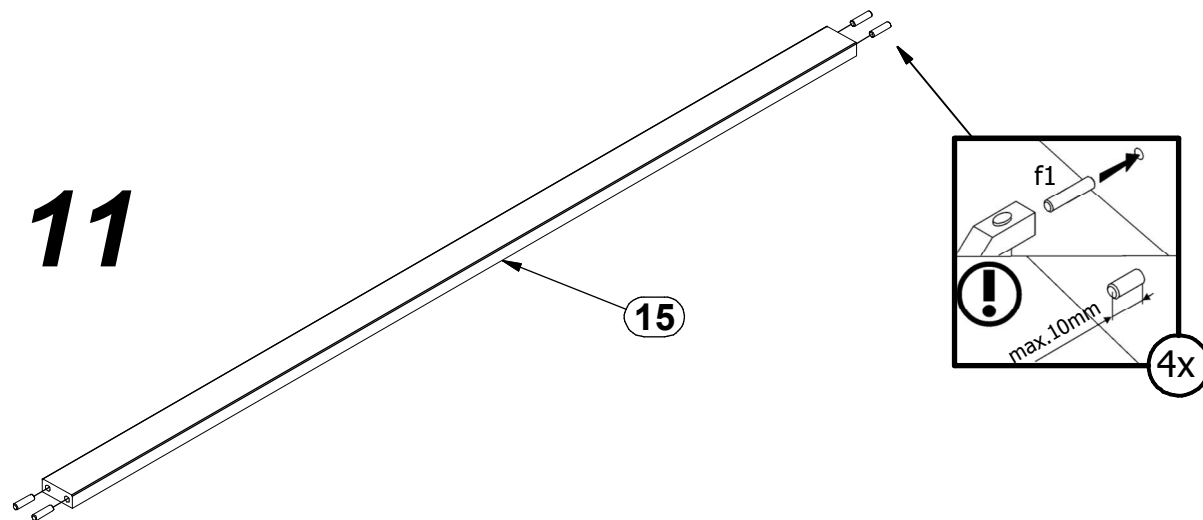
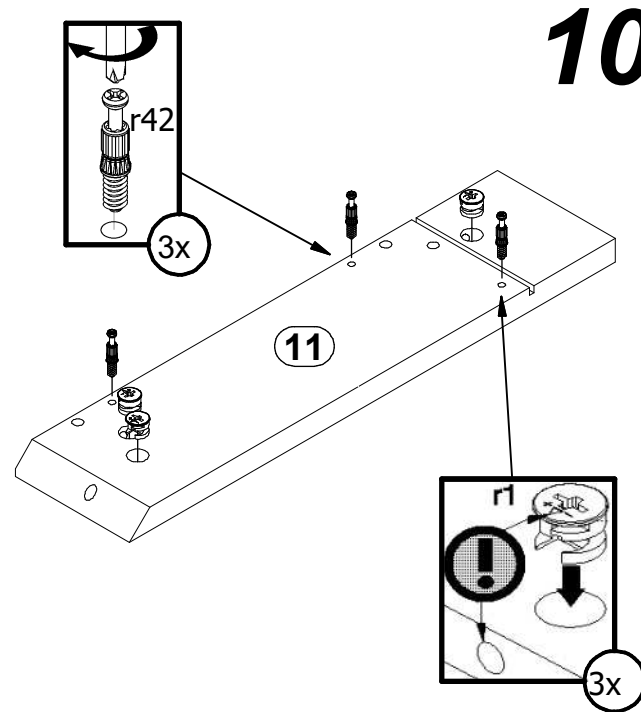
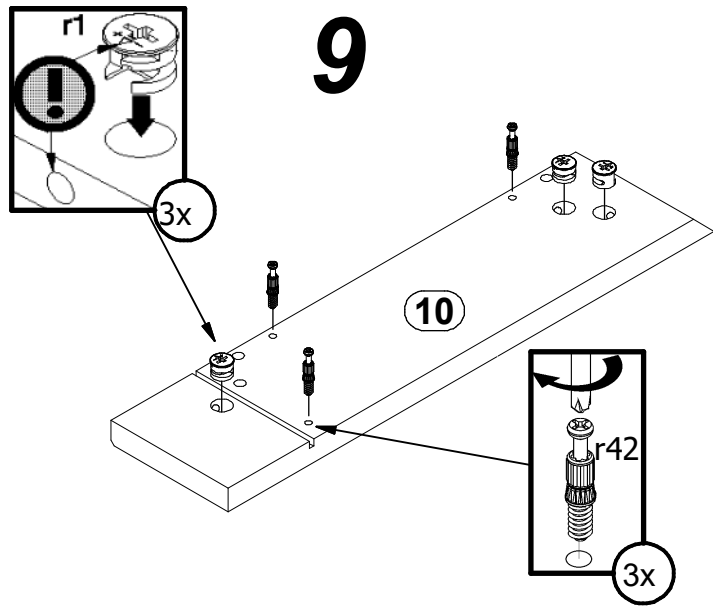


7

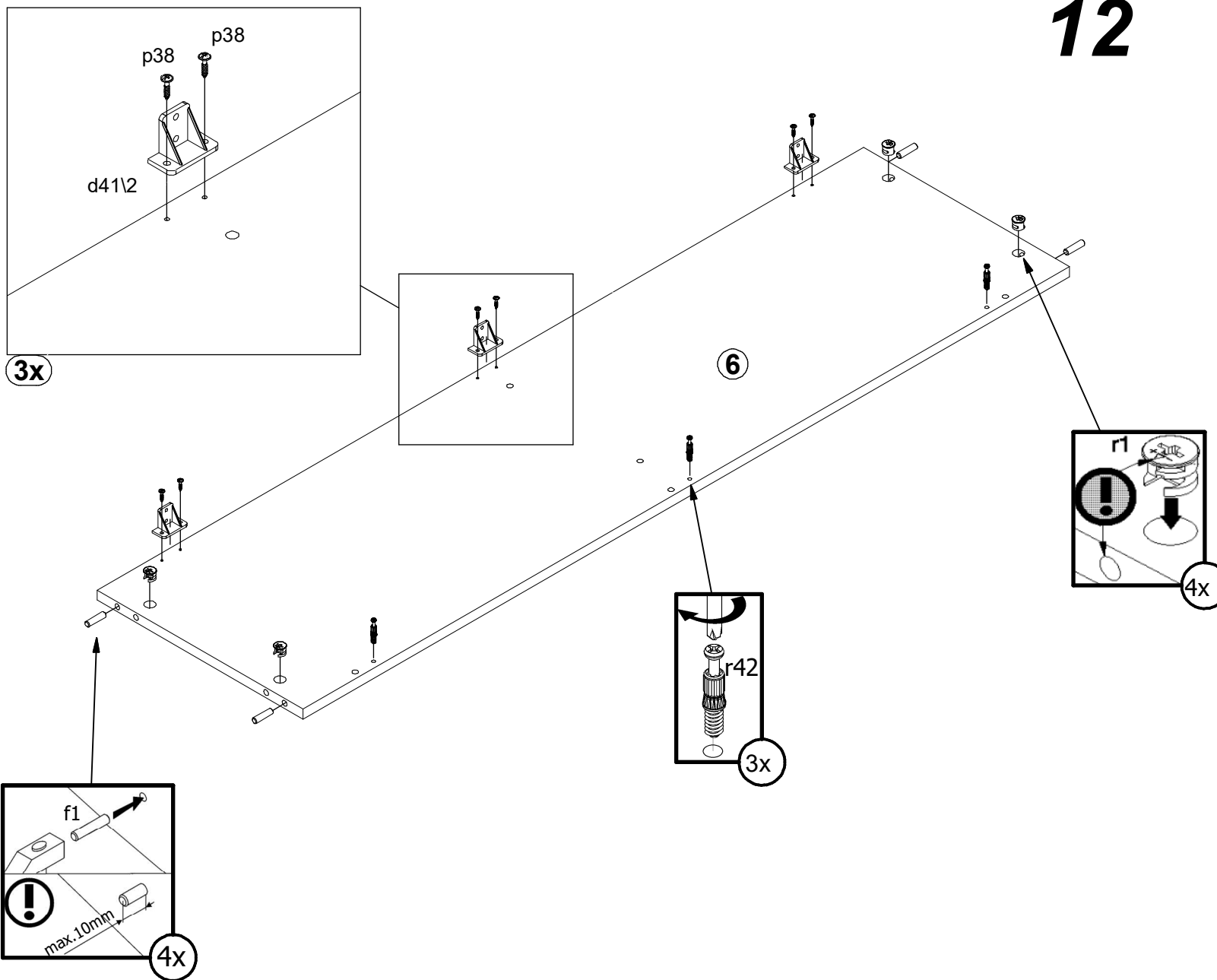


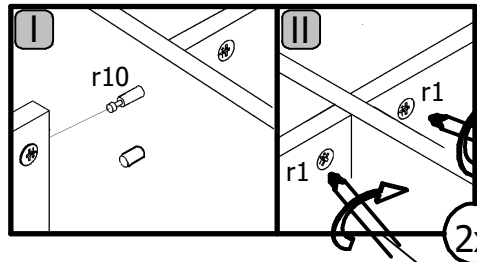
8



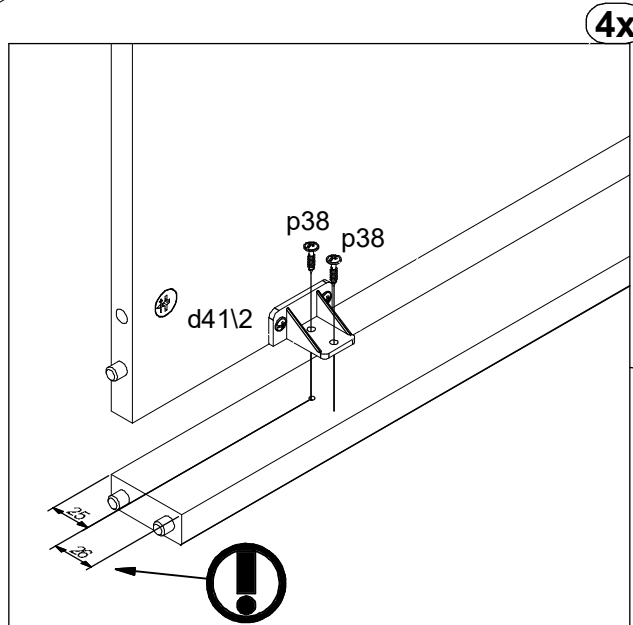
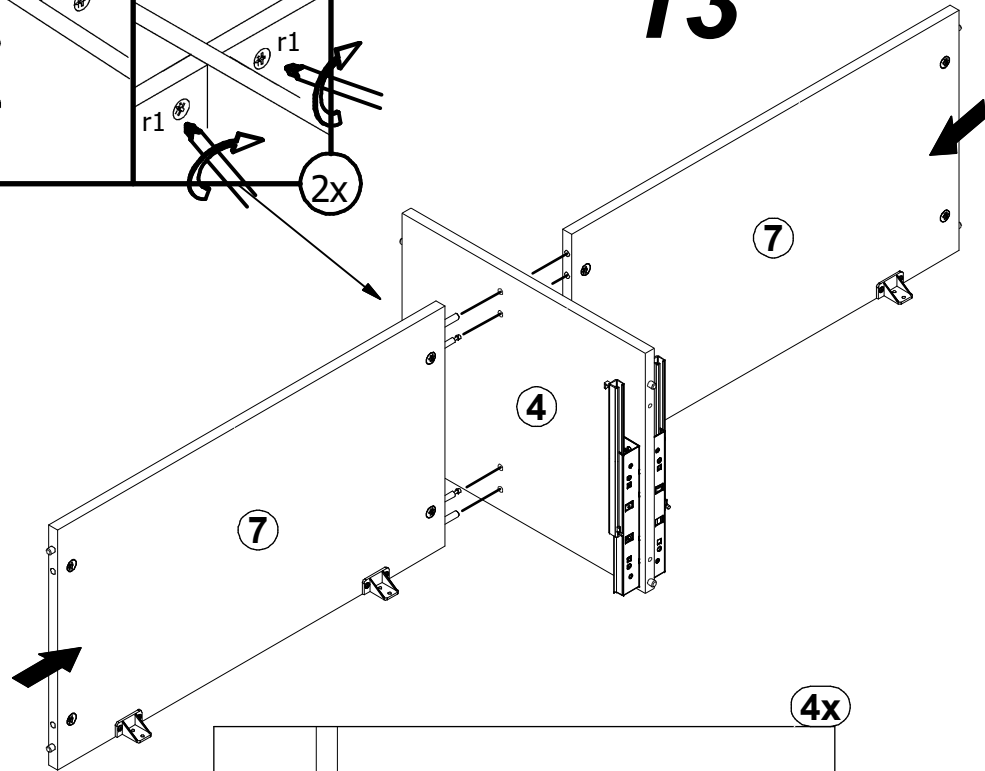


12

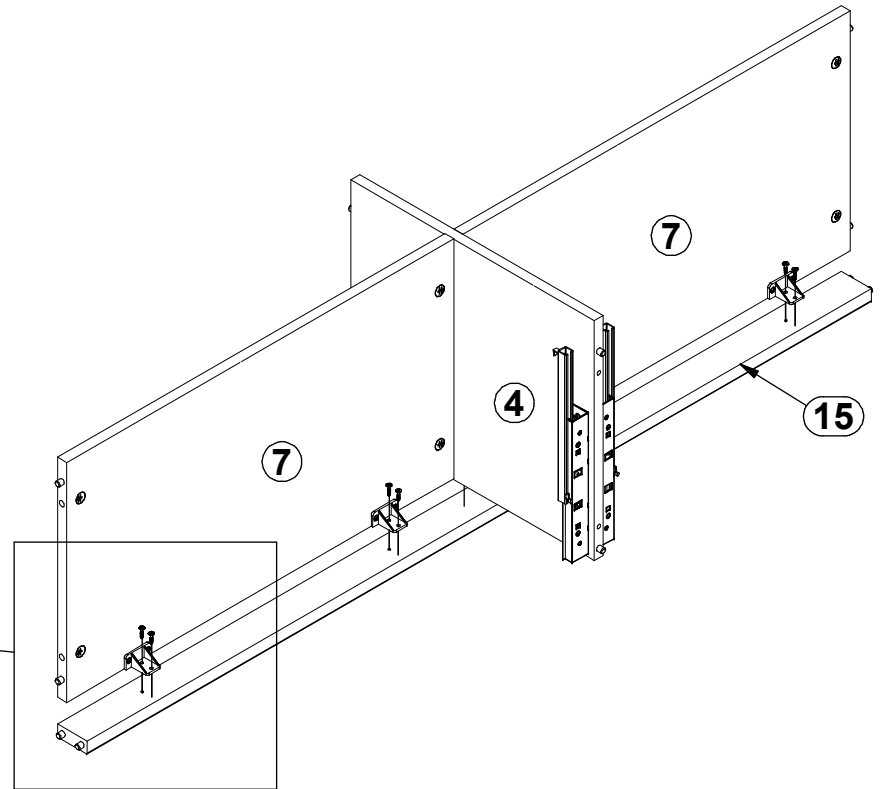


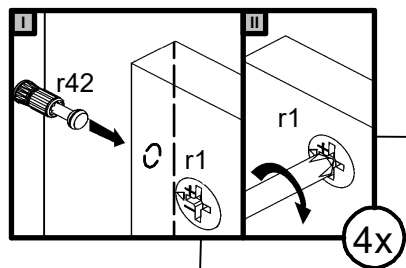


13

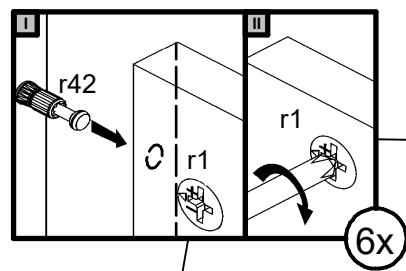
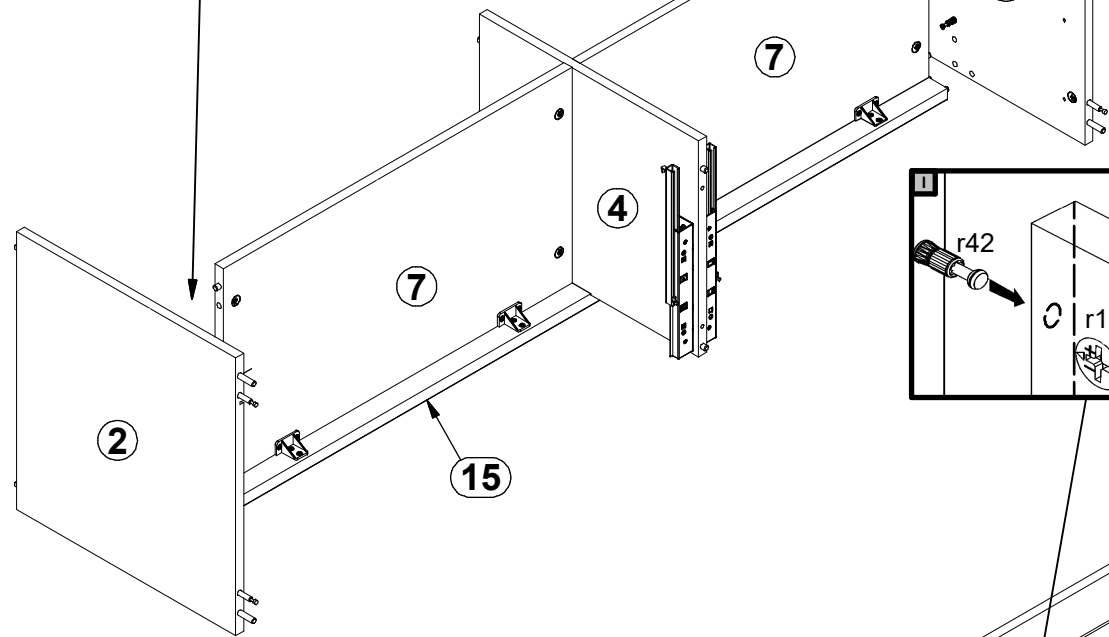


14

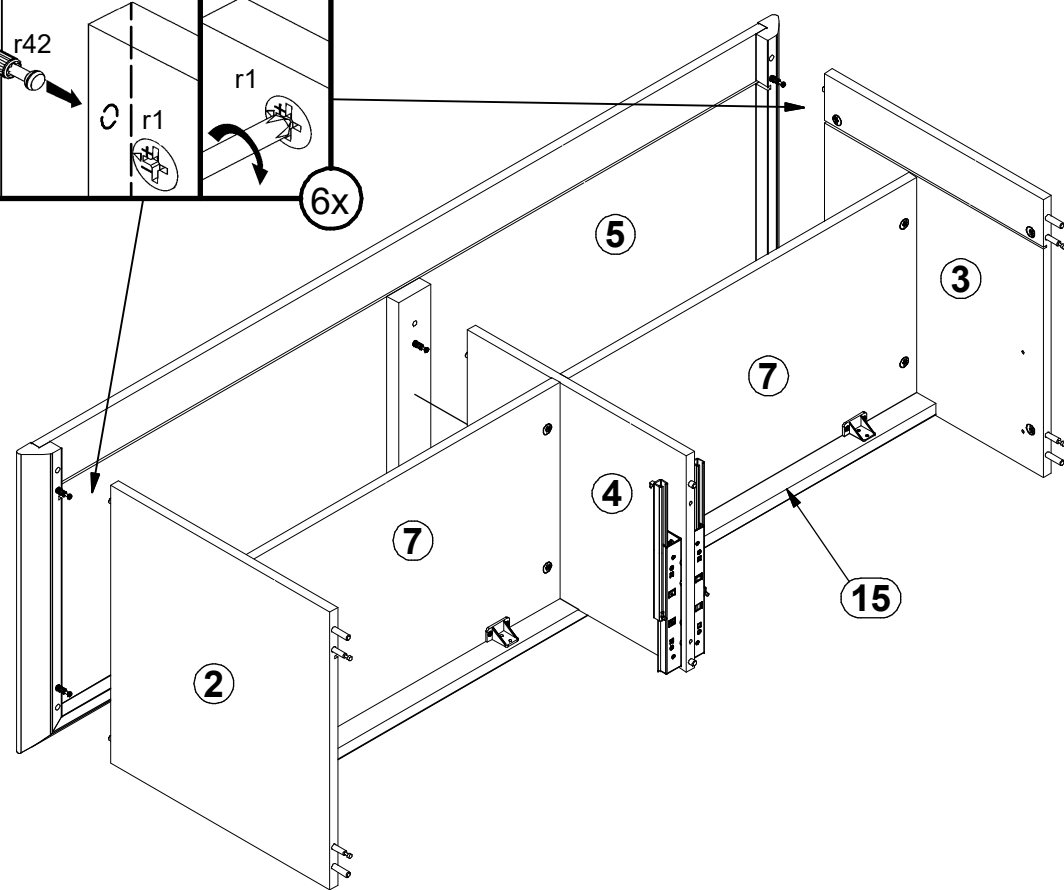




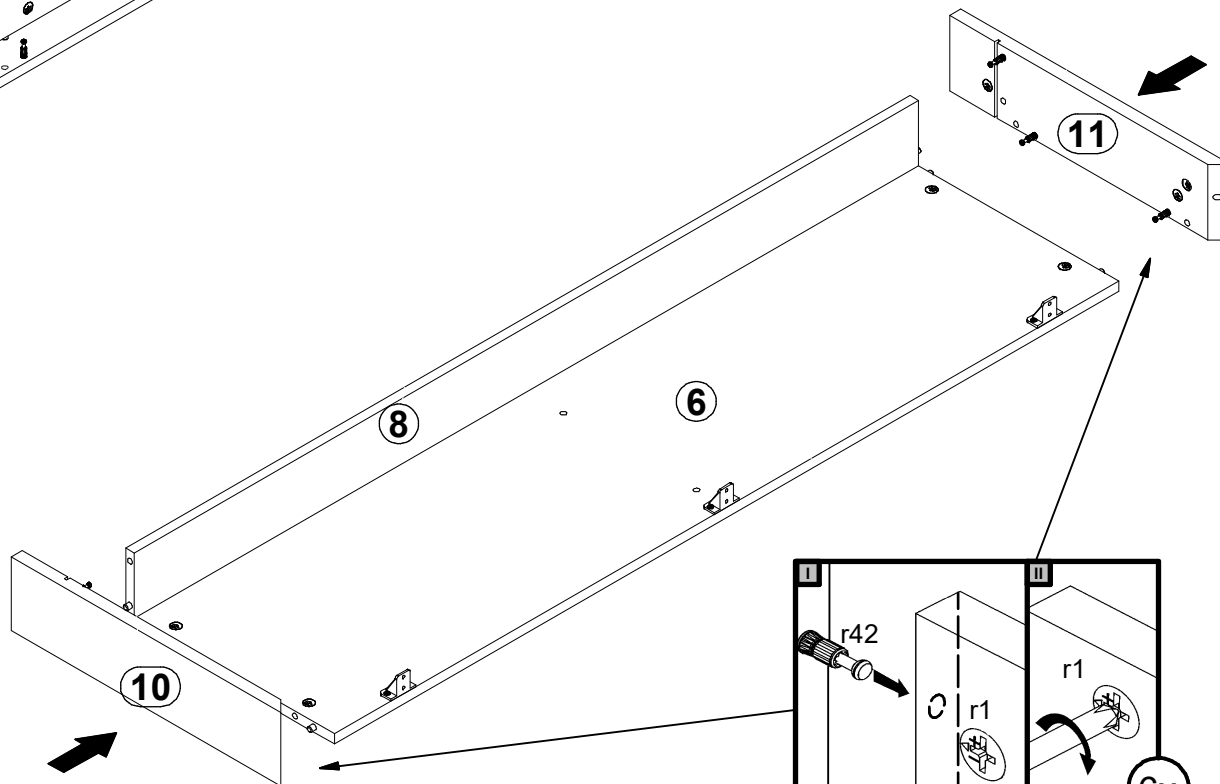
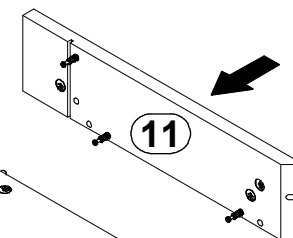
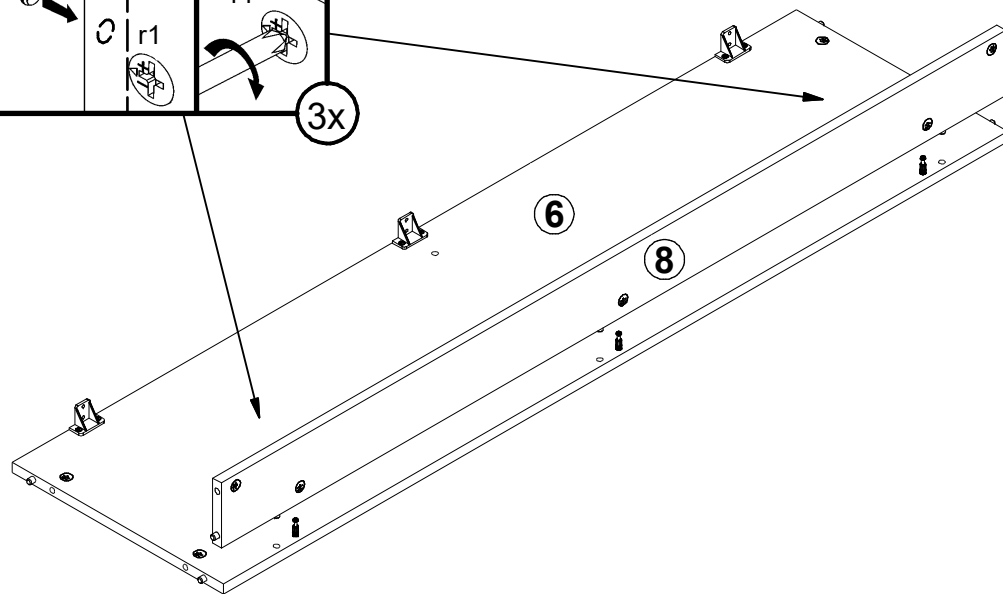
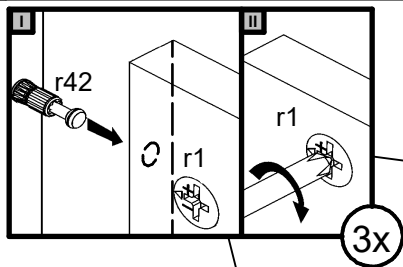
15



16

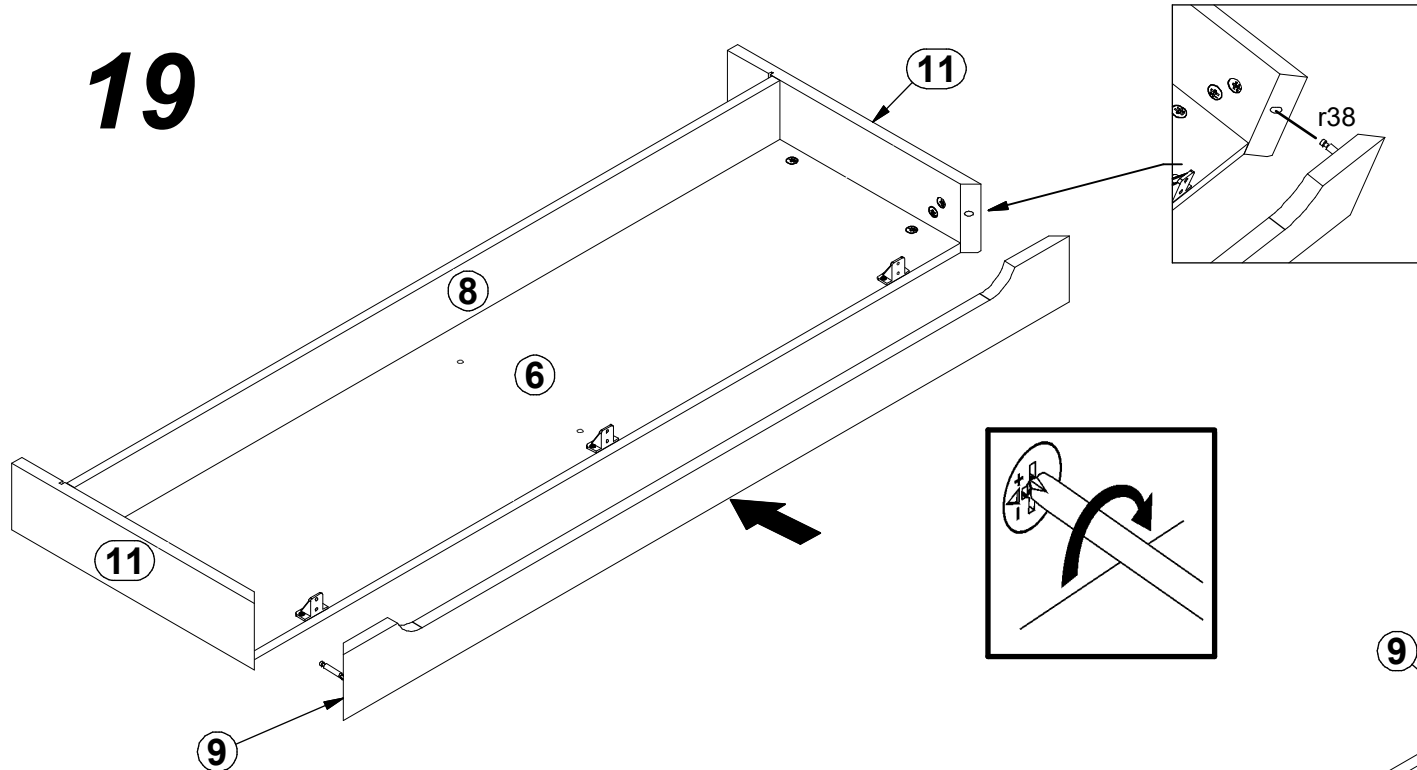


17

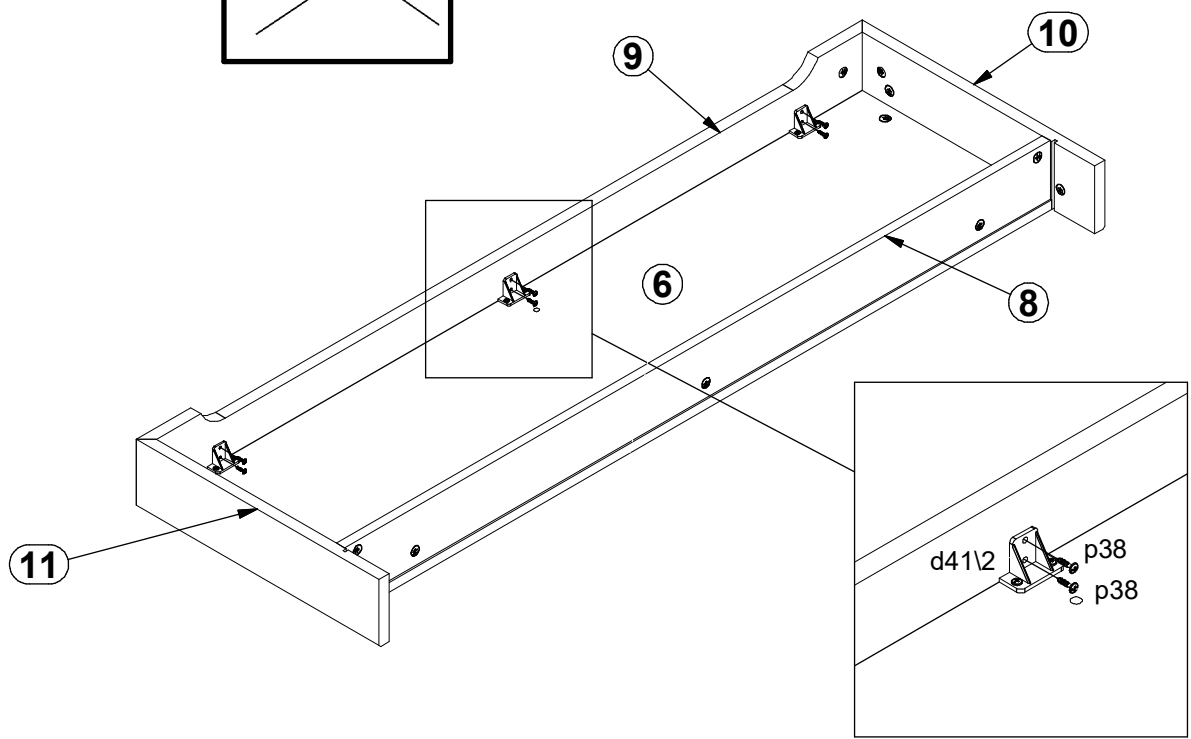


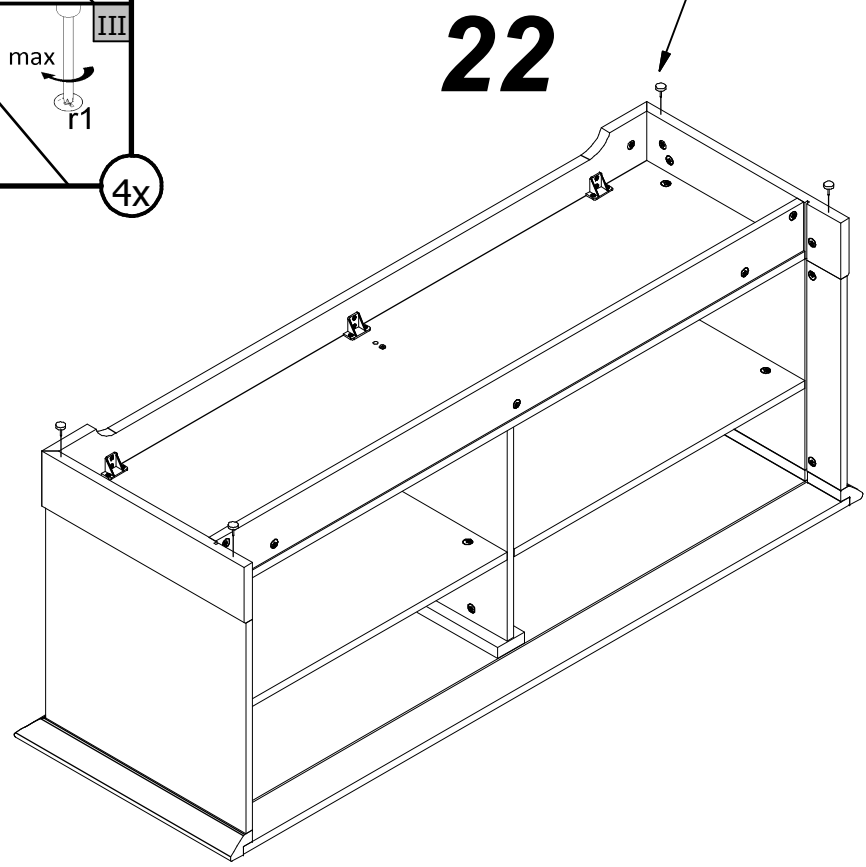
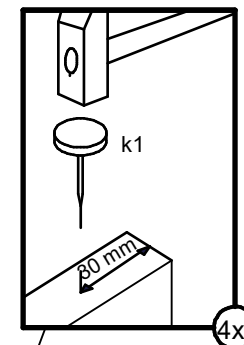
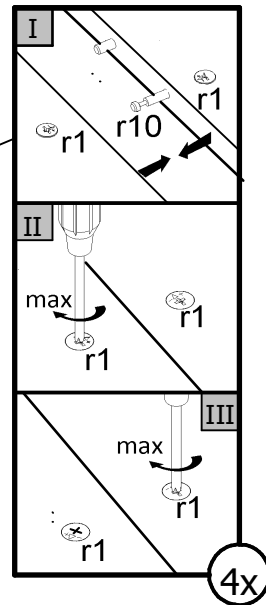
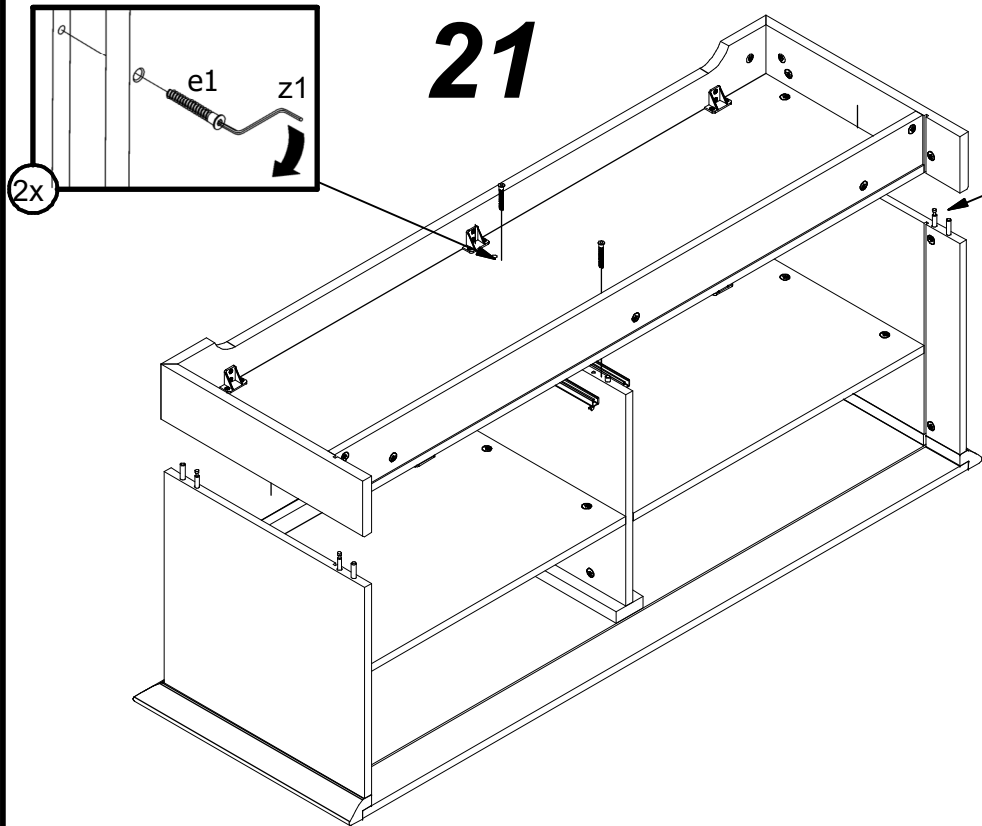
18

19

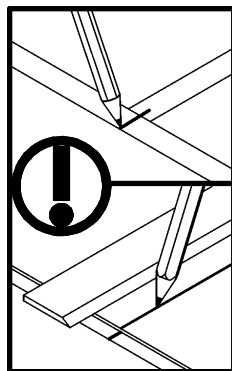
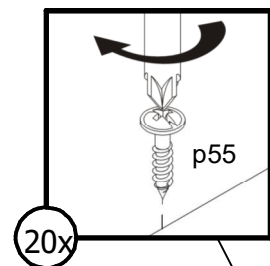
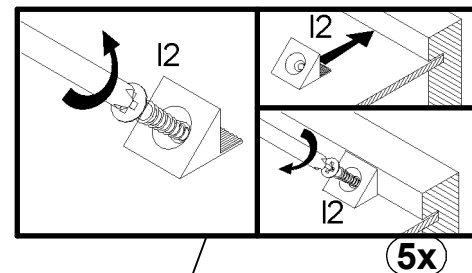
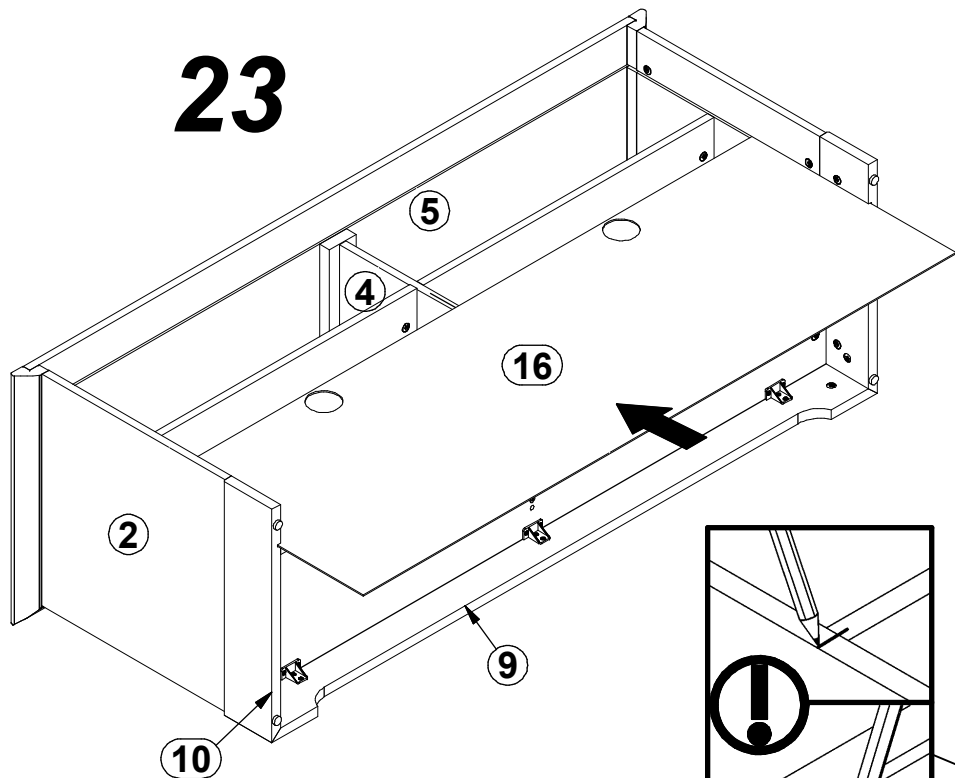


20

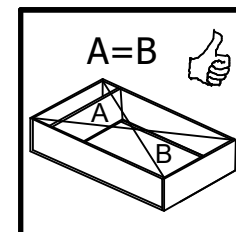
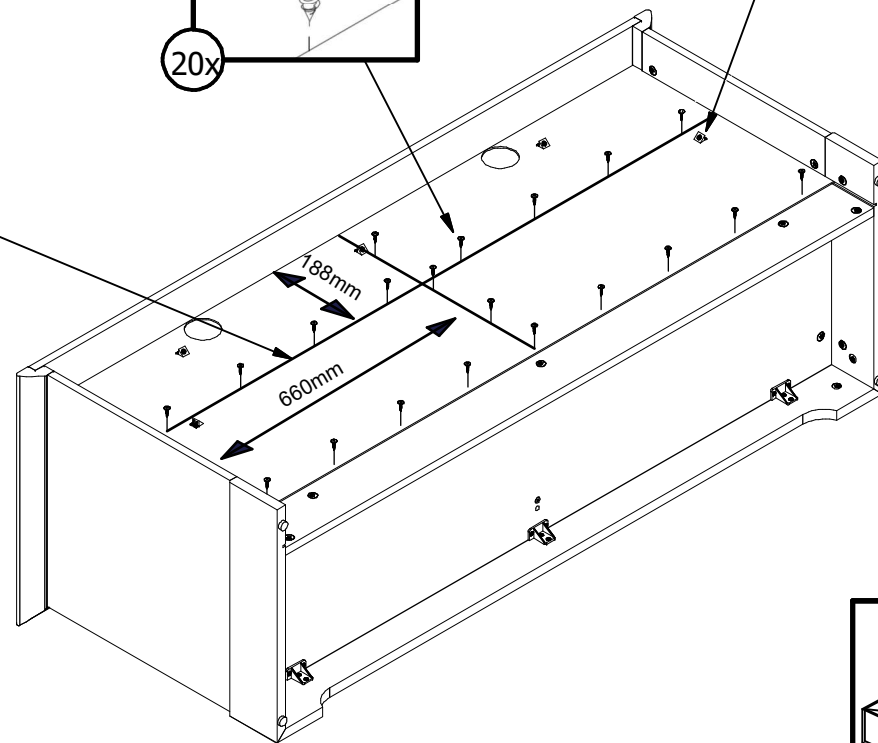


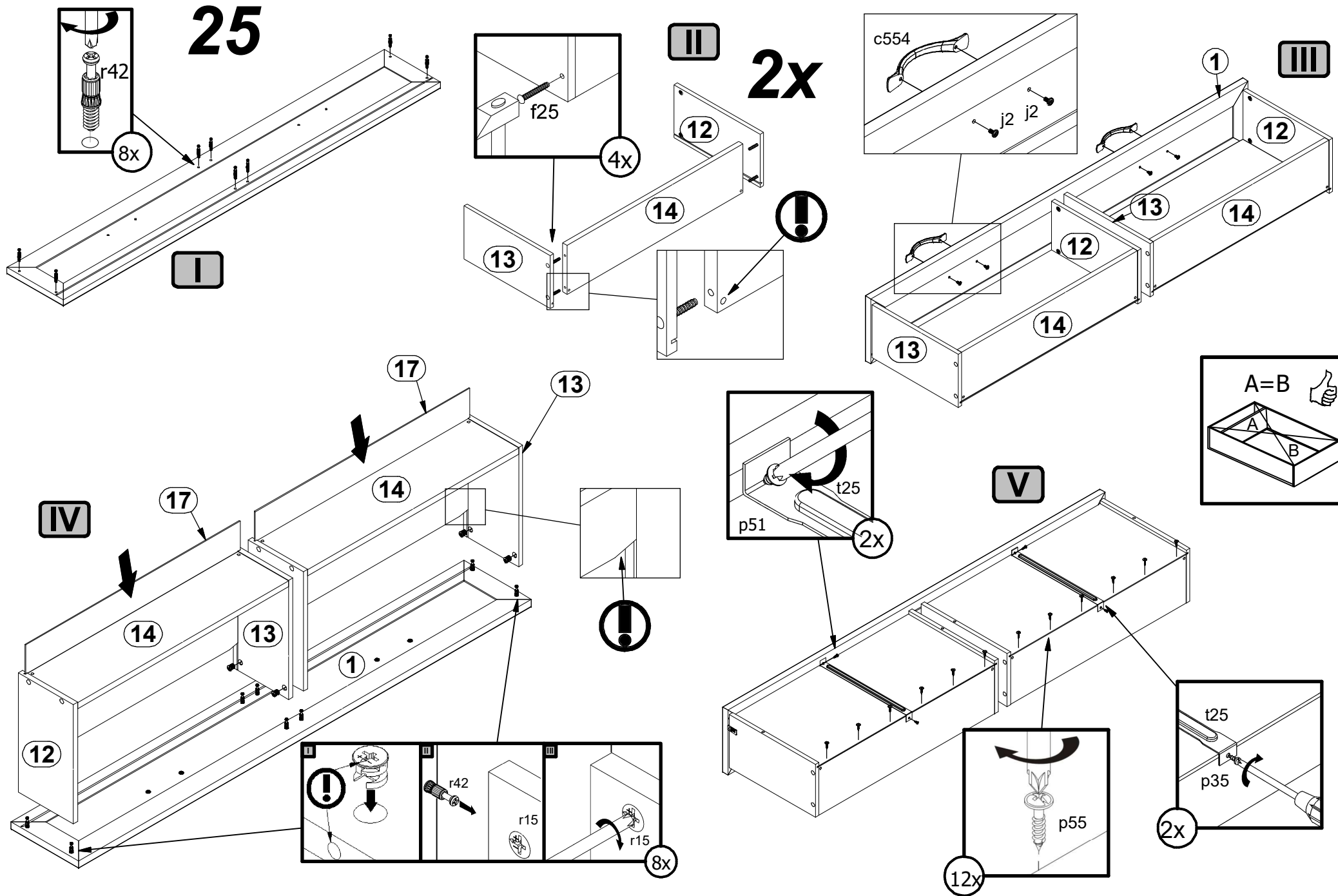


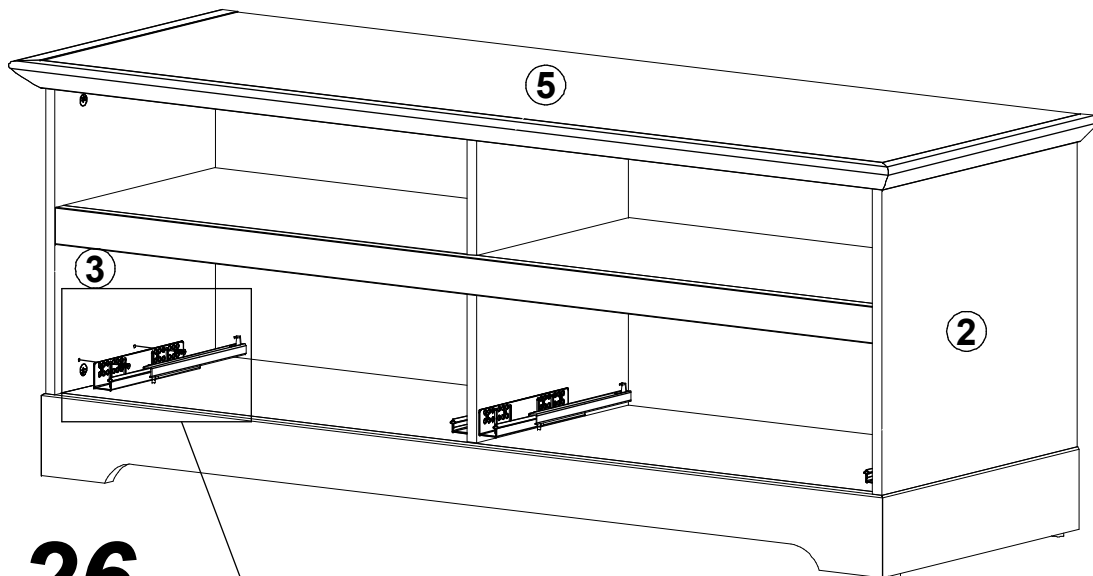
23



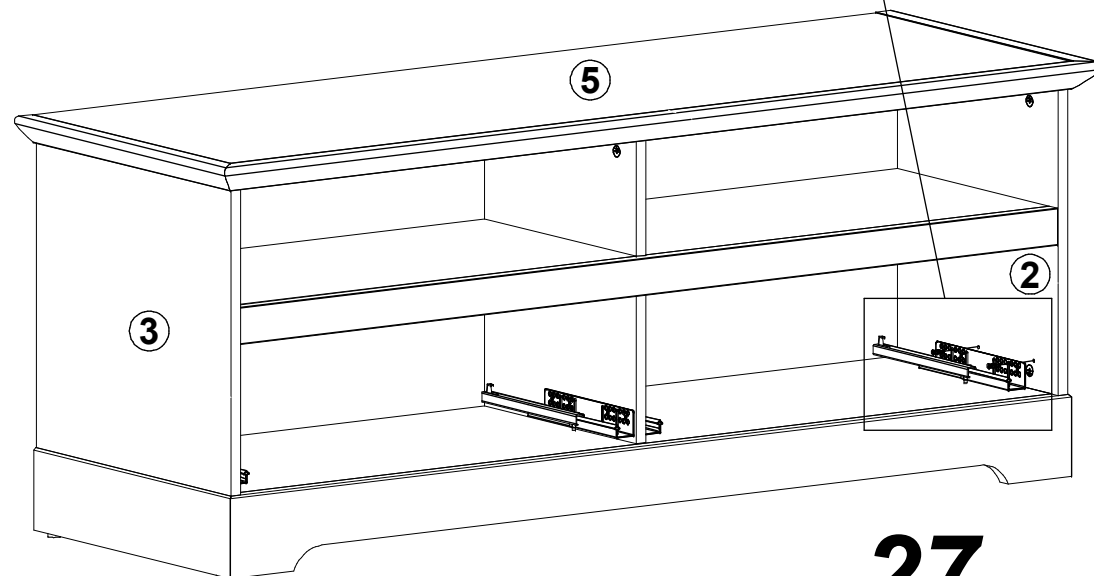
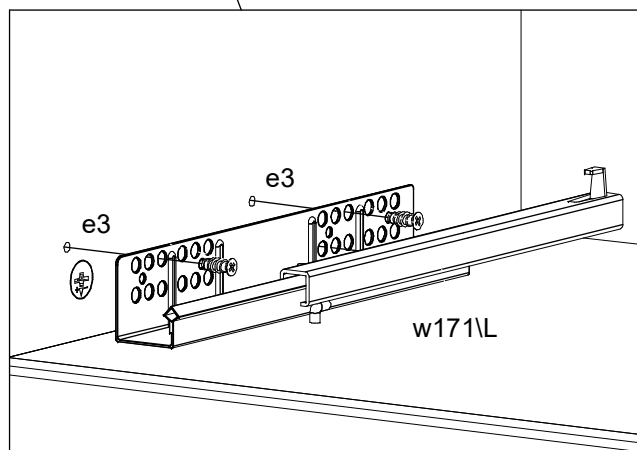
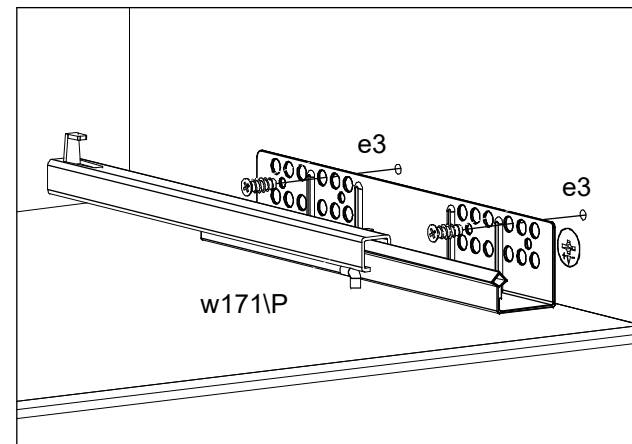
24







26



27

A

S553-RTV1S

45-502- --

17 / 18

