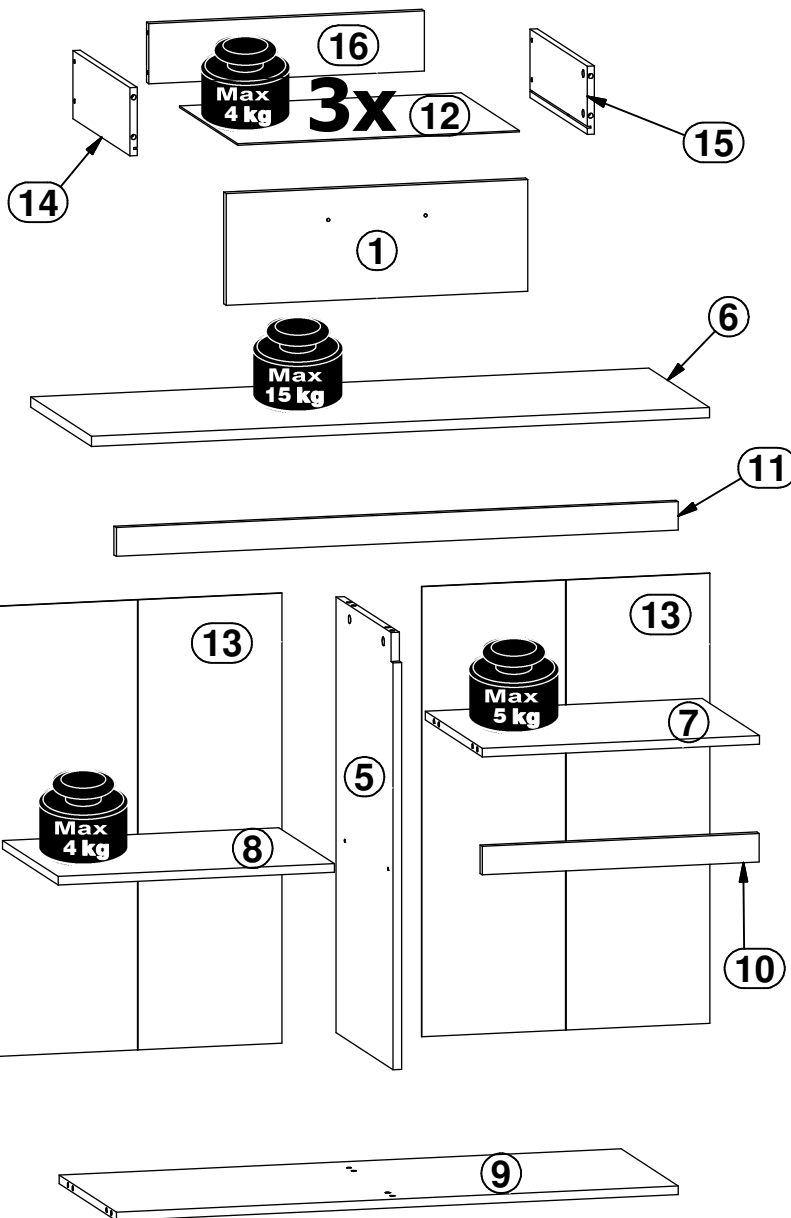
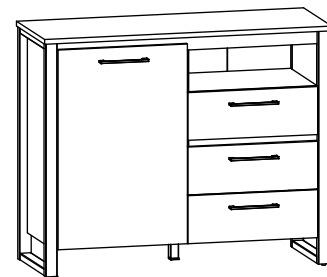
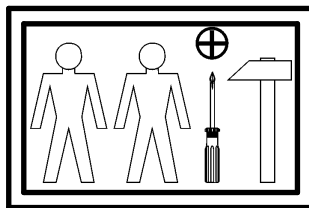
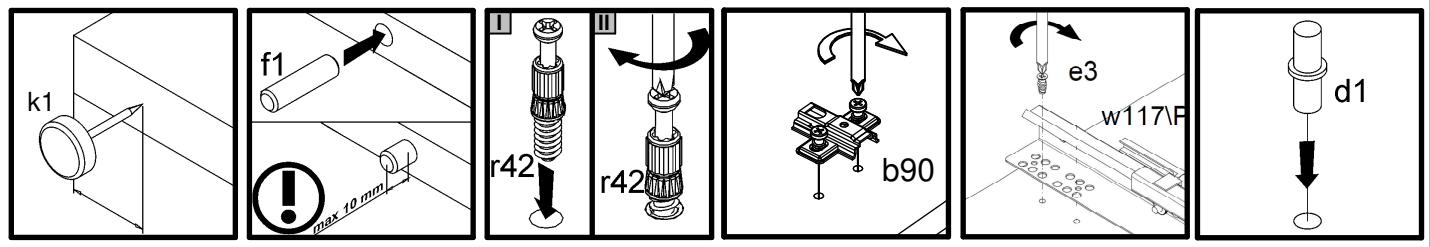
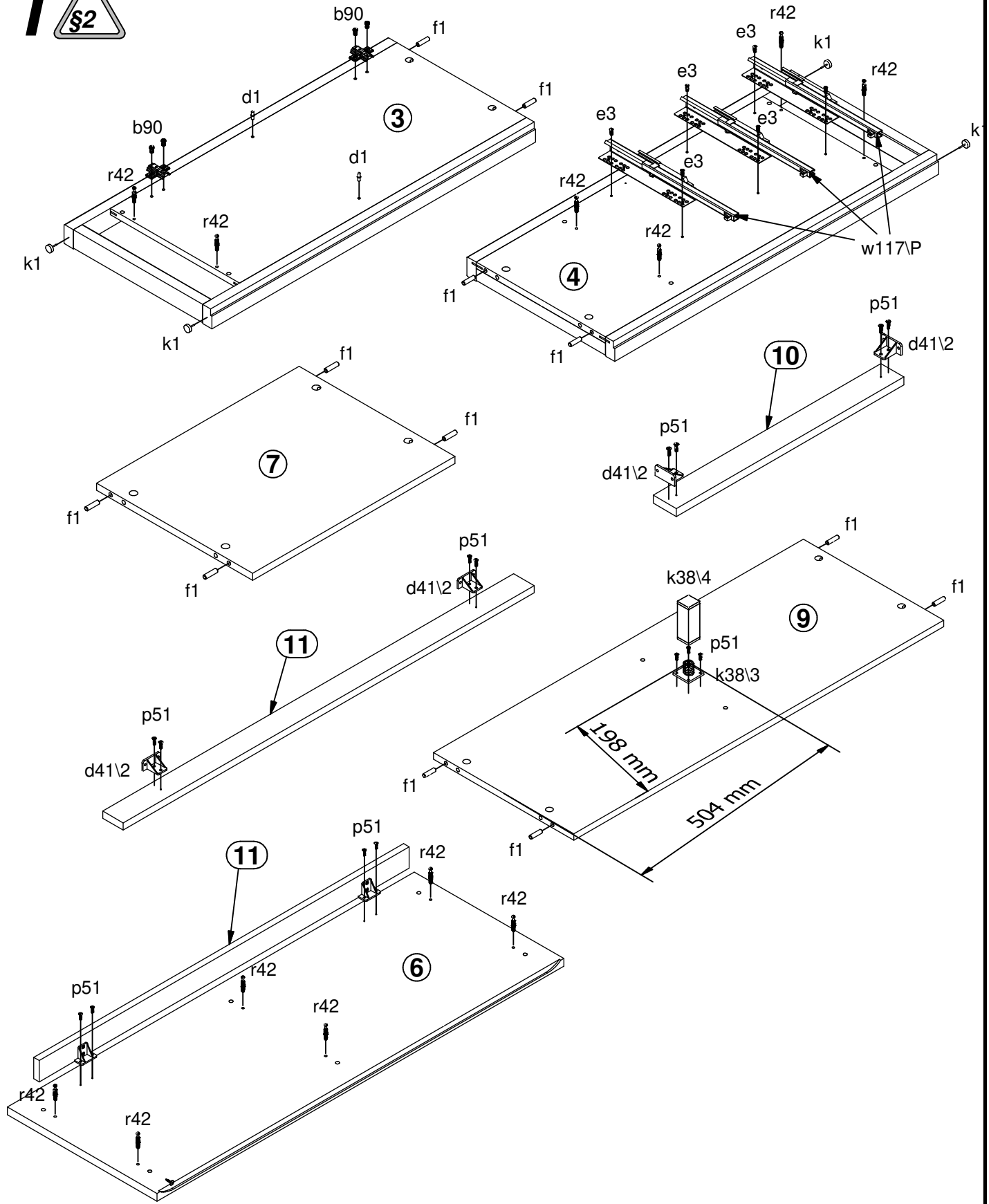


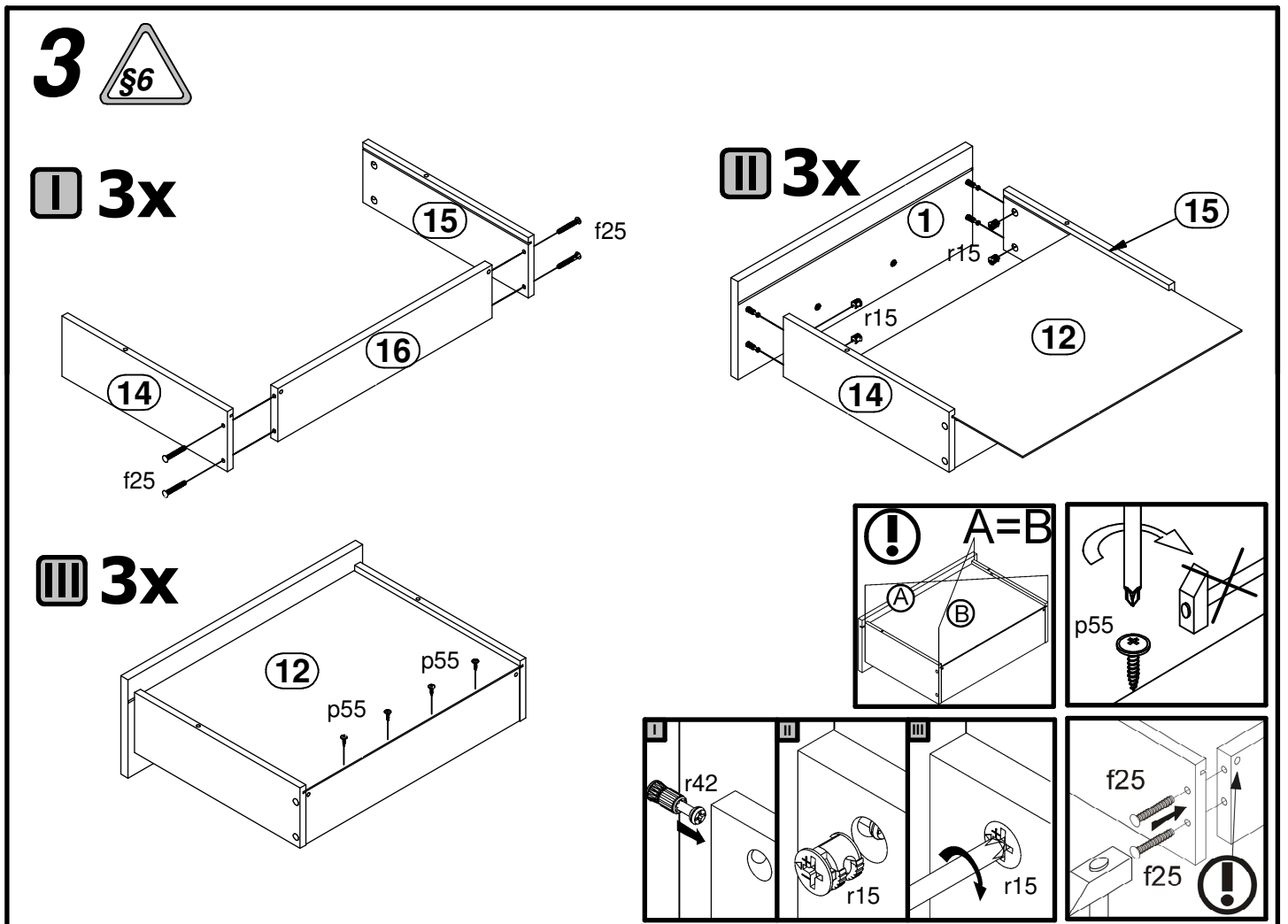
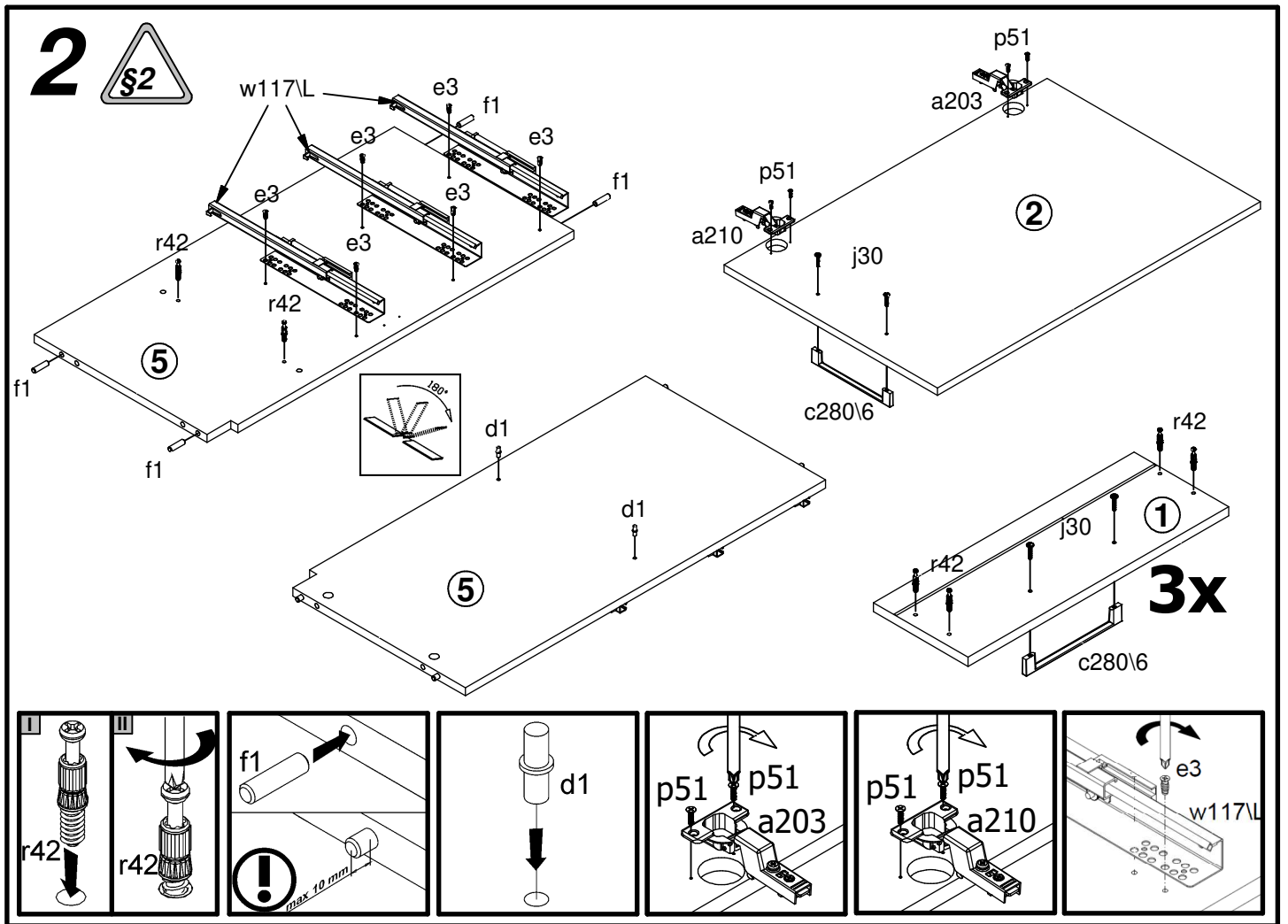
A	B	C	D	
1	S604-0014	496	180	2/2
2	S604-0015	751	496	2/2
3	S604-1015	876	400	1/2
4	S604-1016	876	400	1/2
5	S604-1019	761	380	2/2
6	S604-2006	1101	405	1/2
7	S604-3016	493	380	1/2
8	S604-3017	492	370	1/2
9	S604-3019	1001	380	1/2
10	S604-4005	493	50	1/2
11	S604-4006	1001	50	1/2
12	S604-9004	463	357	2/2
13	S604-9303	786	513	2/2
14	ZQ6-519	350	110	2/2
15	ZQ6-520	350	110	2/2
16	ZQ6-5342	453	97	2/2



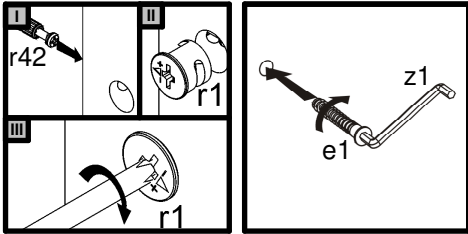
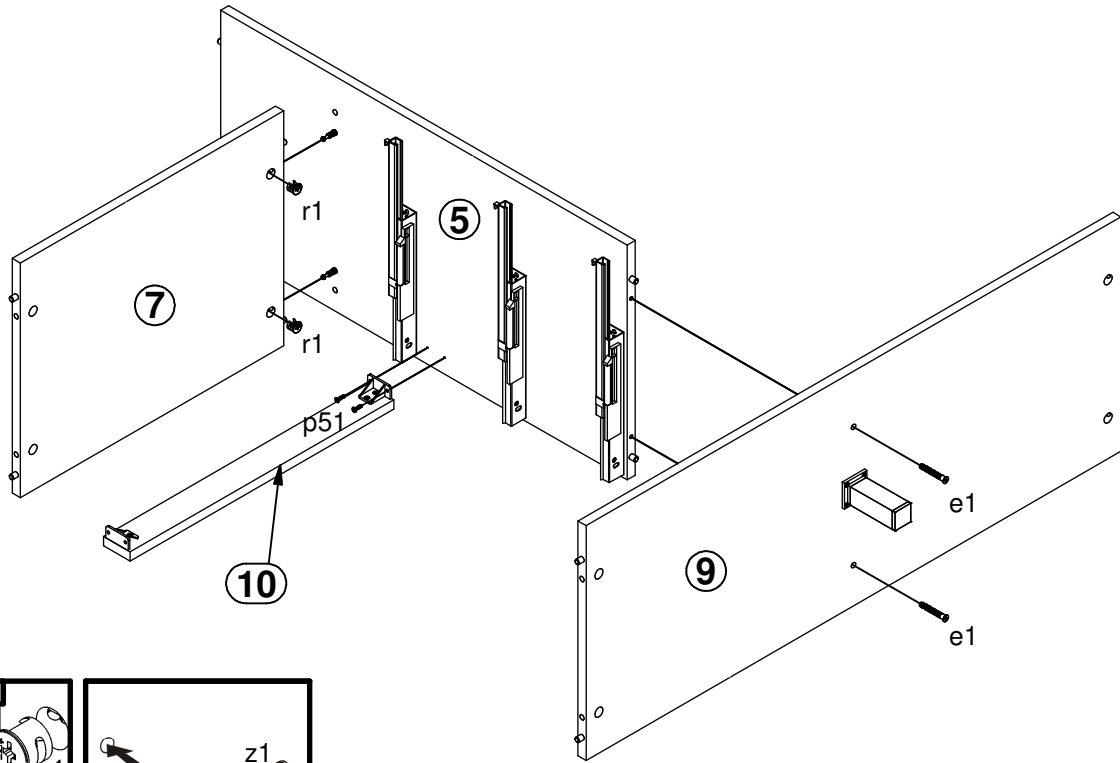
1x hamulec a203	1x a210	2x b90	4x c280/6	4x d1 Ø5x17 mm	4x d41/2	2x e1 Ø7x50 mm	12x e3 Ø6x13 mm	16x f1 Ø8x30 mm
12x f25 Ø6.5x40 mm	8x j30 M4x22 mm	4x k1	1x k38/3 42.5x42.5x4 mm	1x k38/4 30x30x89 mm	5x n108 22x9.5x20.7 mm	1x n26	1x p38 Ø3.5x16 mm	24x p51 Ø3.5x15 mm
43x p55 Ø2.9x16 mm	14x r1 Ø15x12 mm #16	12x r15 Ø12x10.5 mm #12	26x r42 20/11	6x s68 Ø20mm	3x w117/L 350 mm	3x w117/P 350 mm	1x z1 4 mm	

1

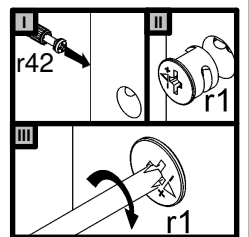
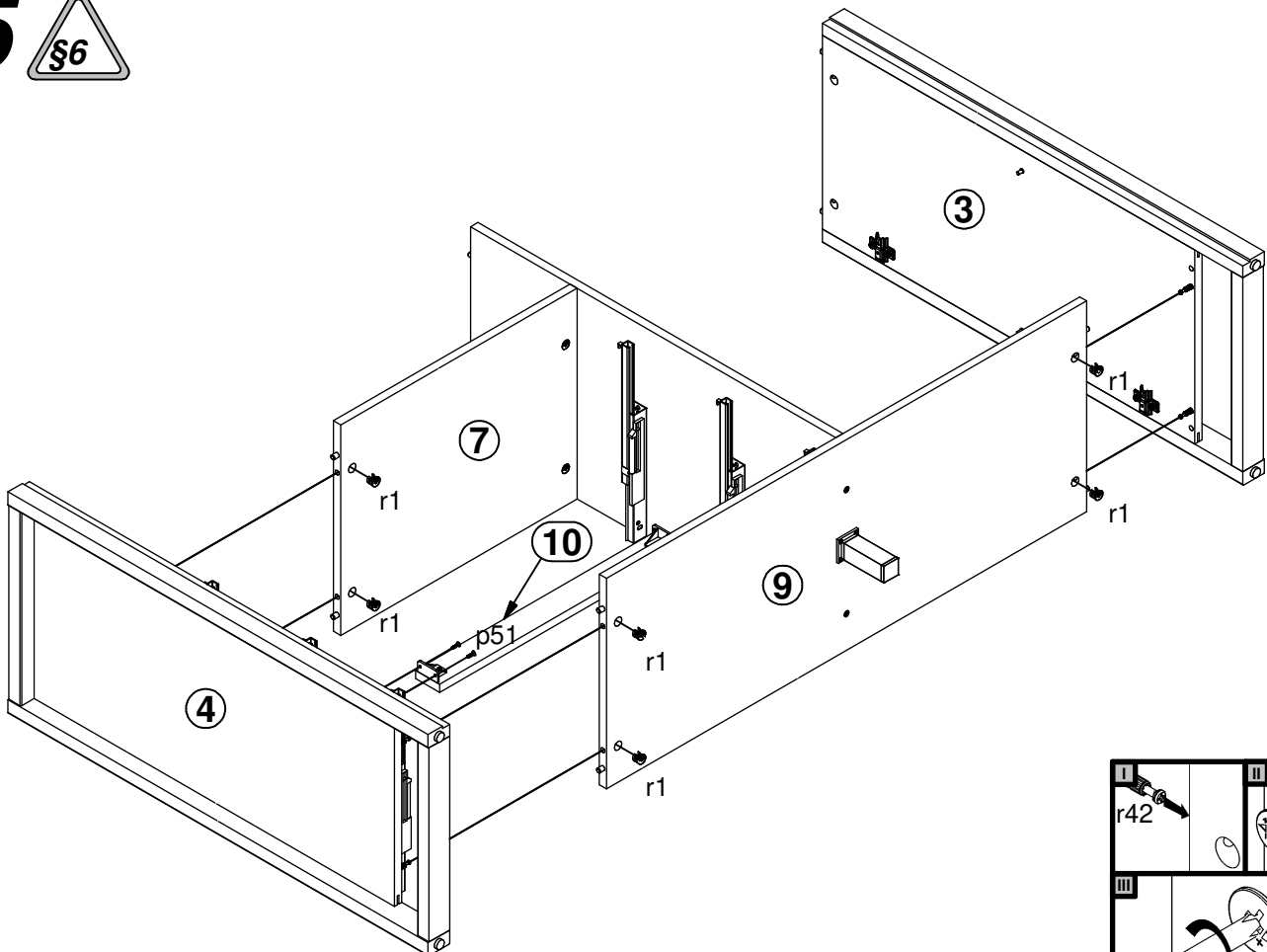




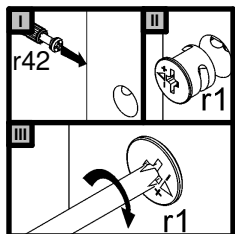
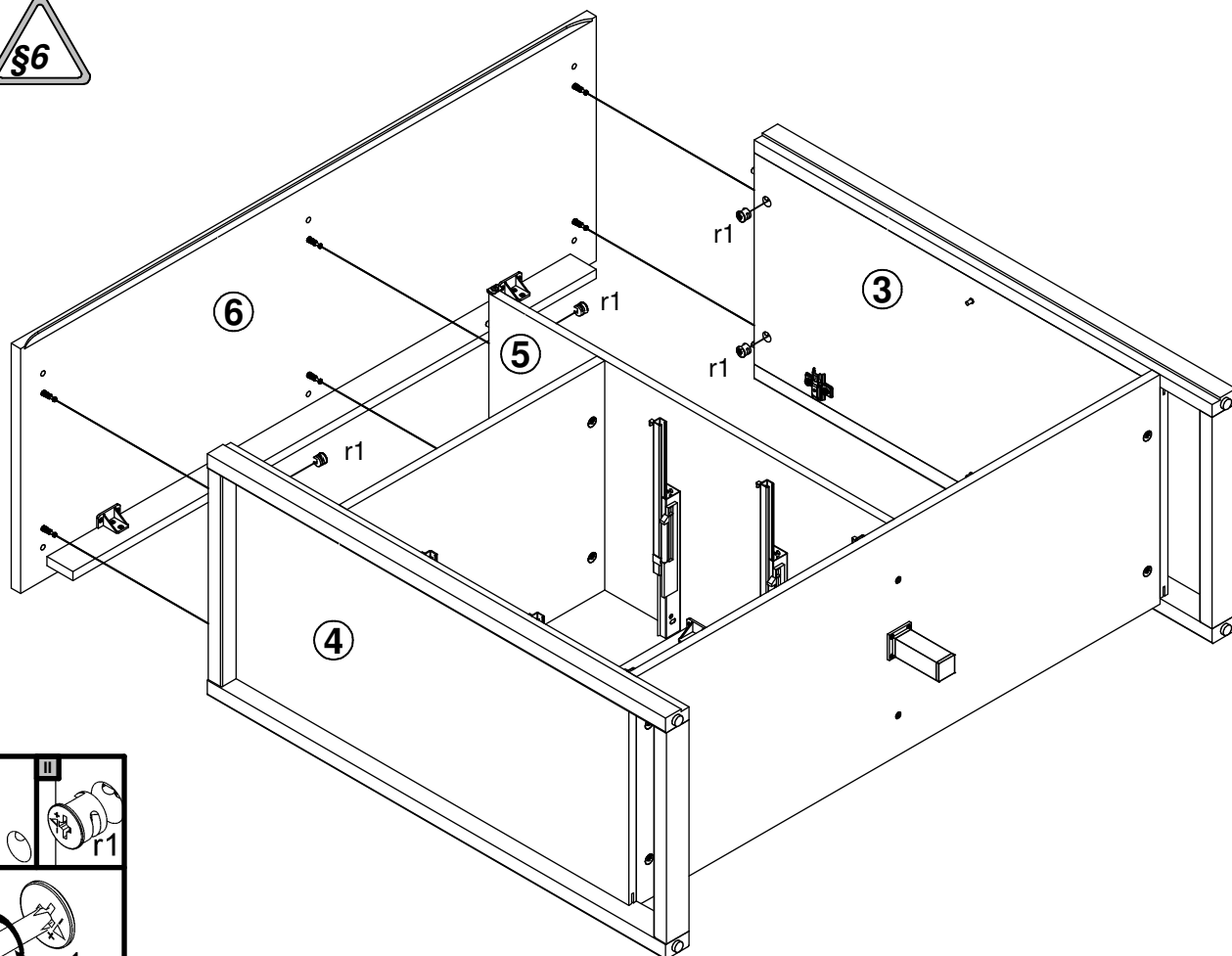
4



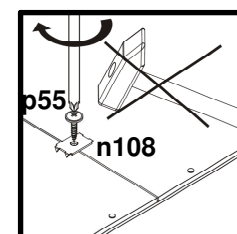
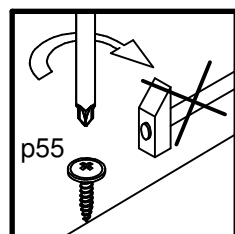
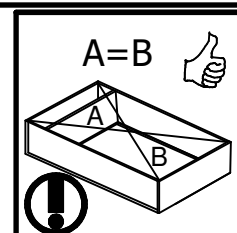
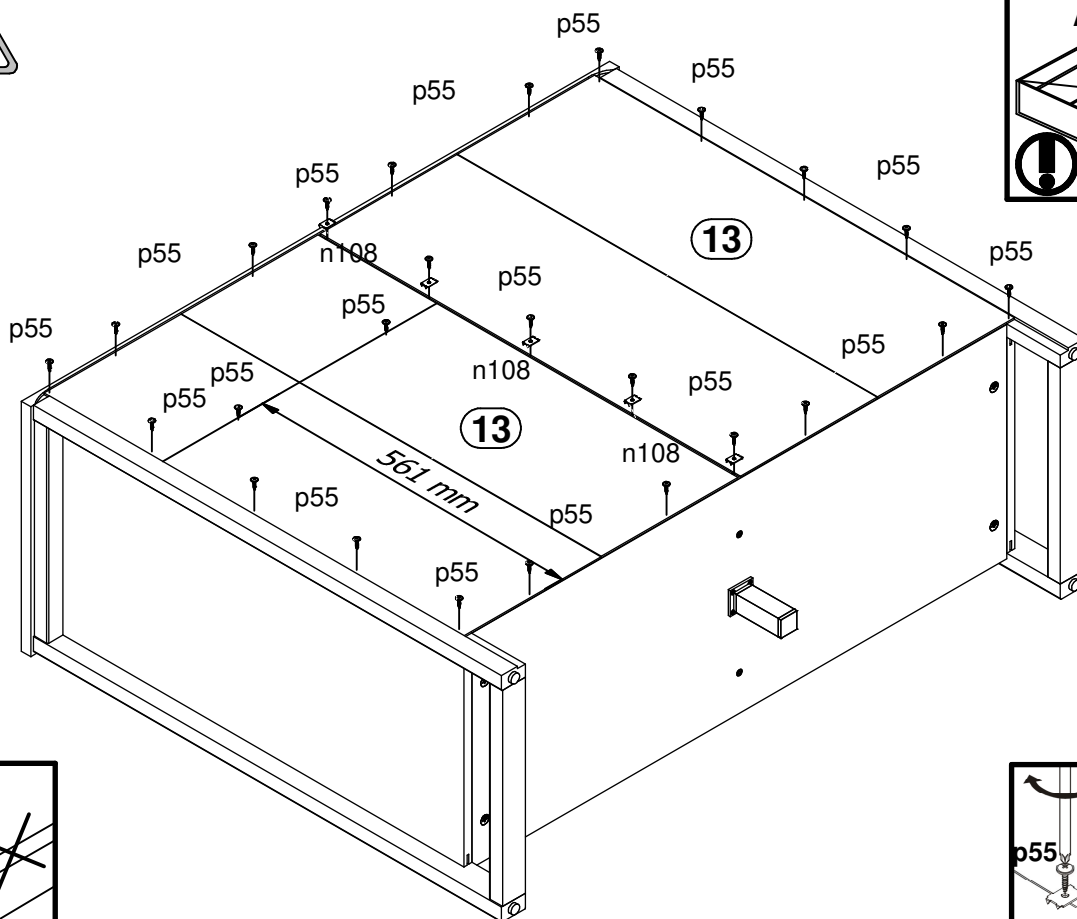
5



6



7



8

