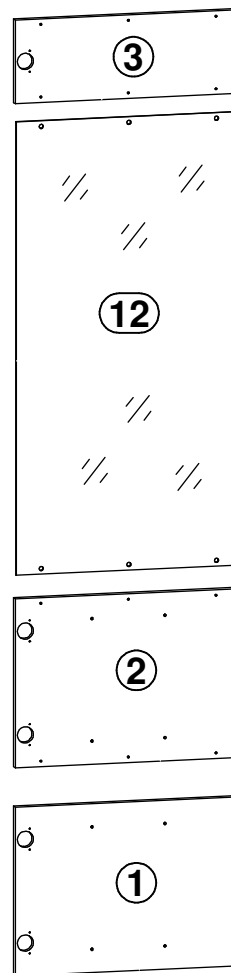
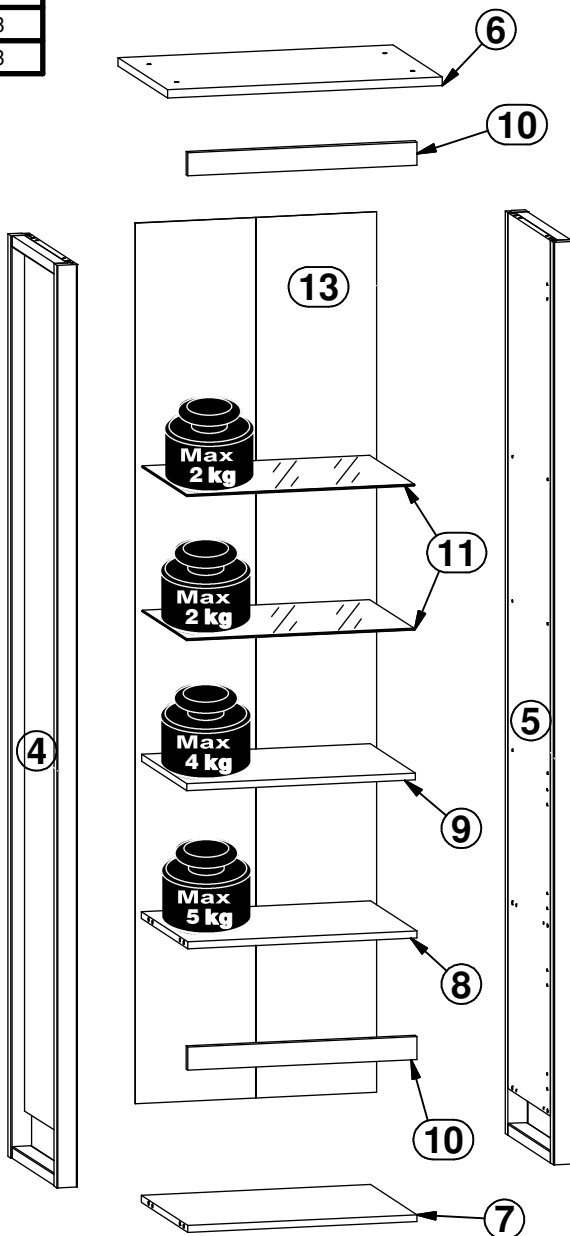
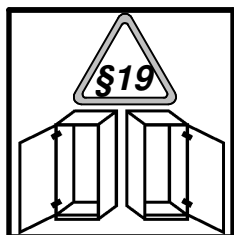
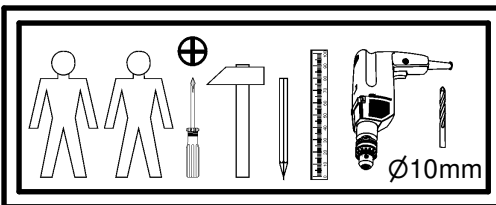


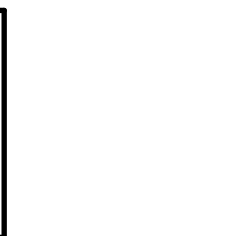
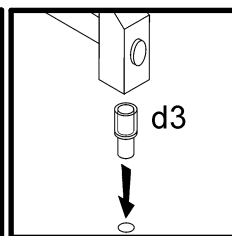
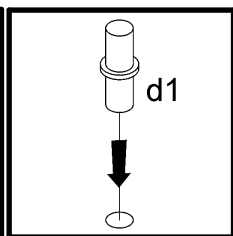
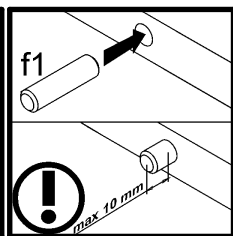
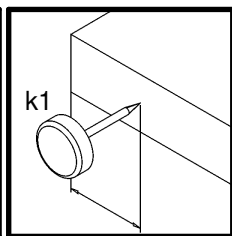
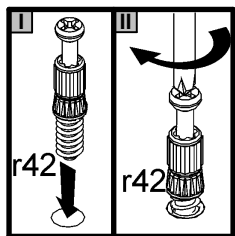
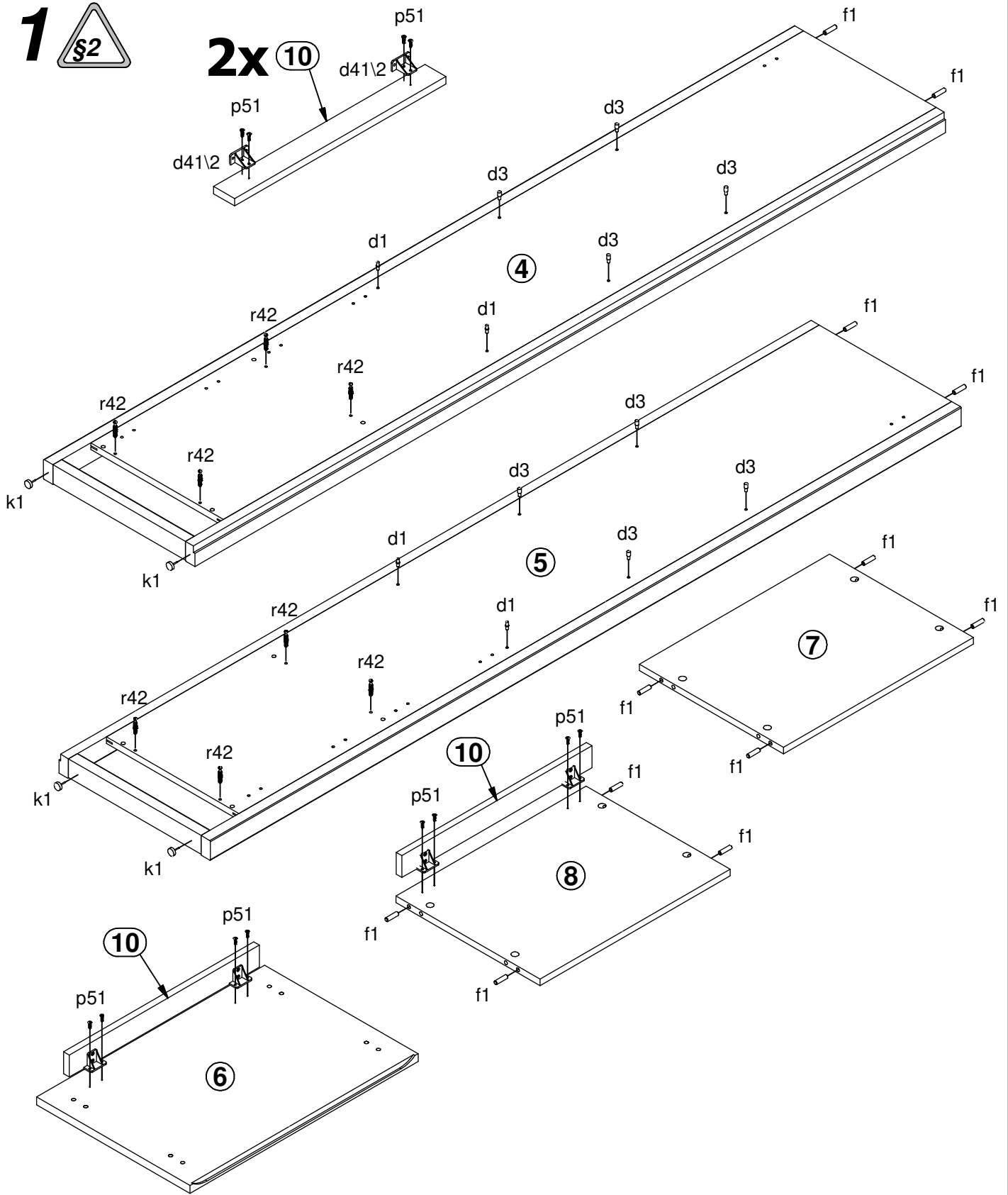
A	B	C	D	
1	S604-0004	496	363	2/3
2	S604-0005	496	363	2/3
3	S604-0006	496	180	2/3
4	S604-1007	1982	400	1/3
5	S604-1008	1982	400	1/3
6	S604-2002	602	405	2/3
7	S604-3006	502	380	2/3
8	S604-3008	502	380	2/3
9	S604-3009	501	370	2/3
10	S604-4003	502	50	2/3
11	S604-5001	500	365	2/3
12	S604-5002	974	494	3/3
13	S604-9301	1892	529	1/3



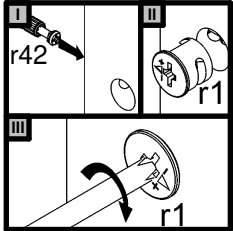
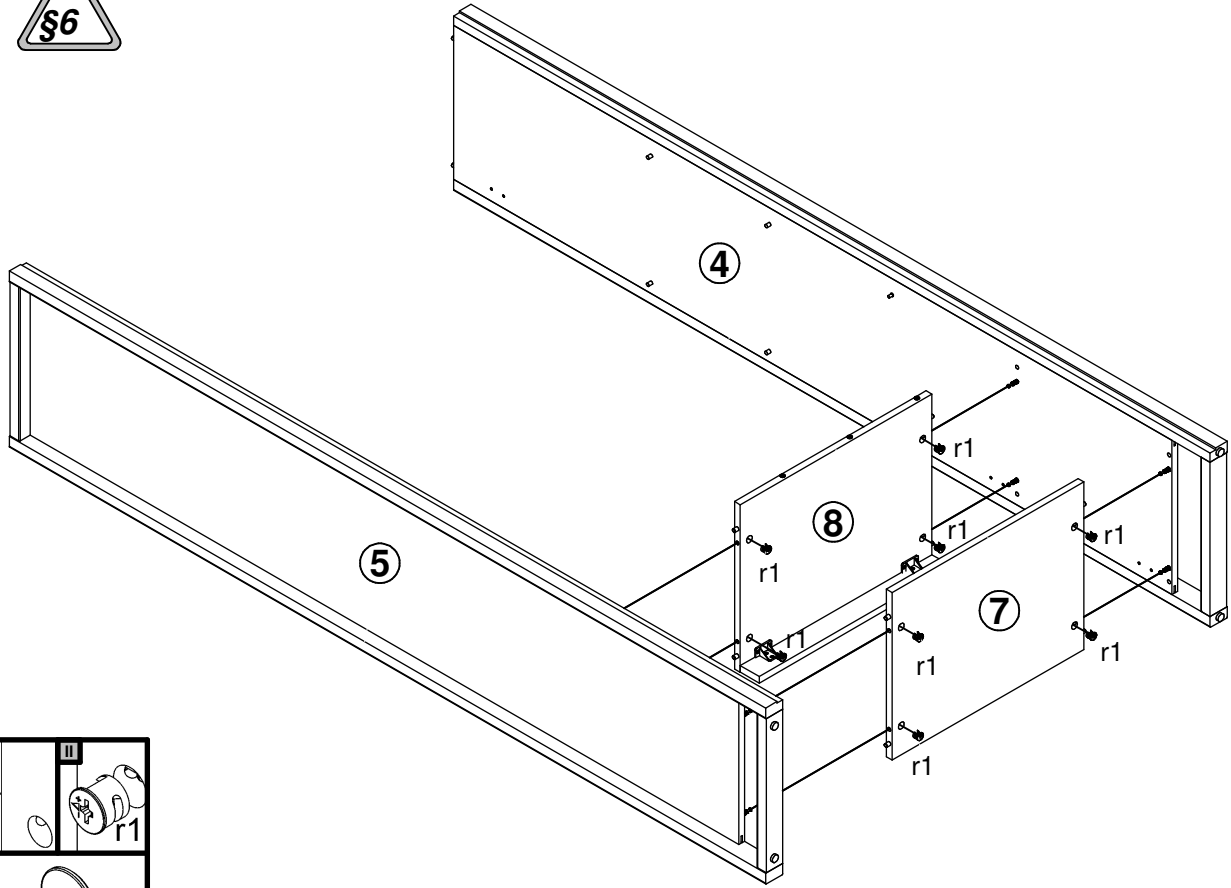
3x hamulec a203	2x a210	5x b90	2x c280/6	4x Ø5x17 mm d1	8x Ø5x17 mm d3	4x d41/2	4x Ø7x50 mm e1	6x Ø5x16 mm e47
12x Ø8x30 mm f1	1x Ø10x50 mm f35	4x M4x22 mm j30	4x k1	1x 86x214x51.5 n14/2	6x Ø5,3xØ8,3x4,8 mm o54	1x Ø5x60 mm p17	28x Ø3,5x15 mm p51	26x Ø2,9x16 mm p55
8x Ø15x12 mm #16 r1	8x 20/11 r42	1x 4 mm z1						

1 

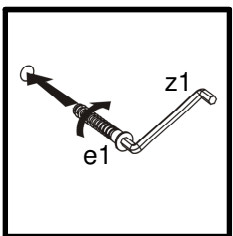
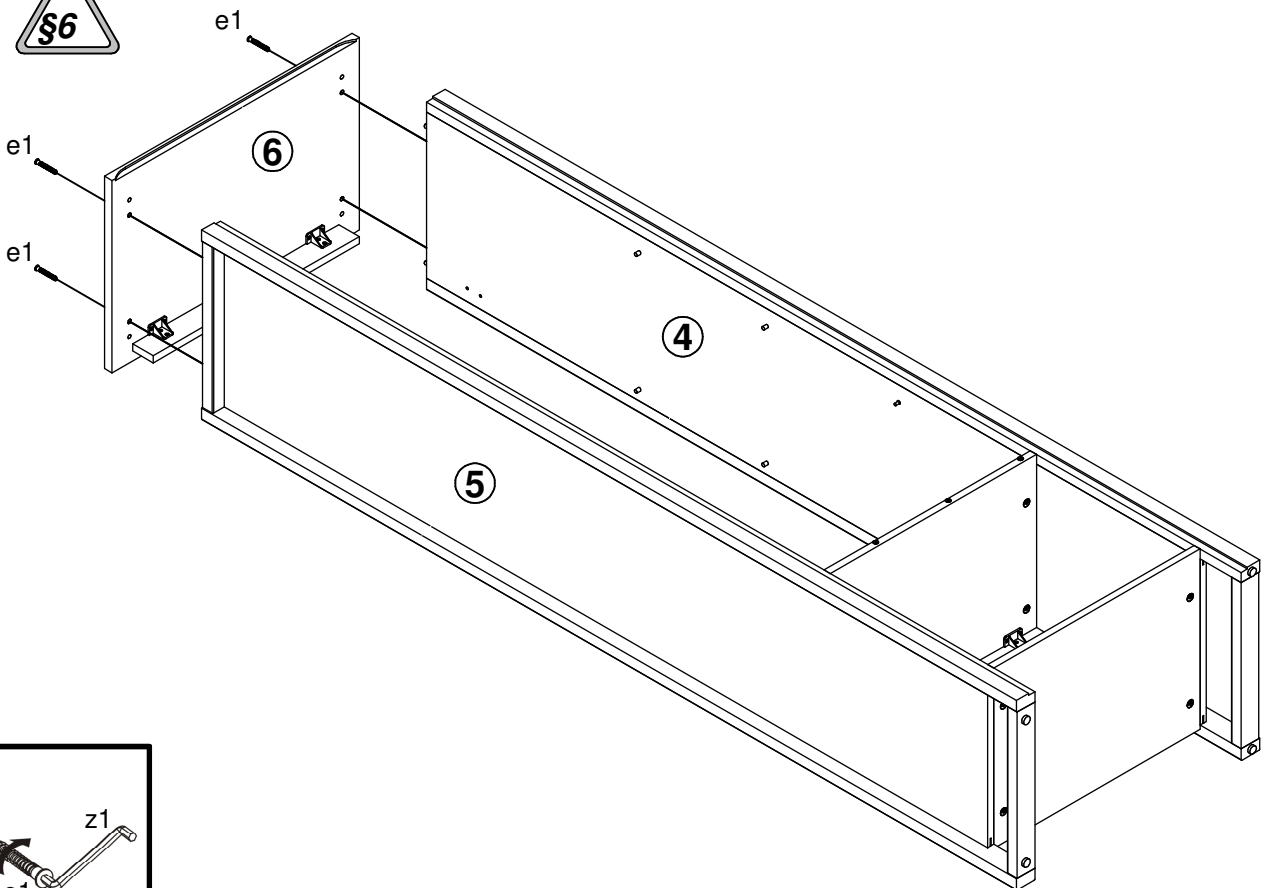
2x **10**



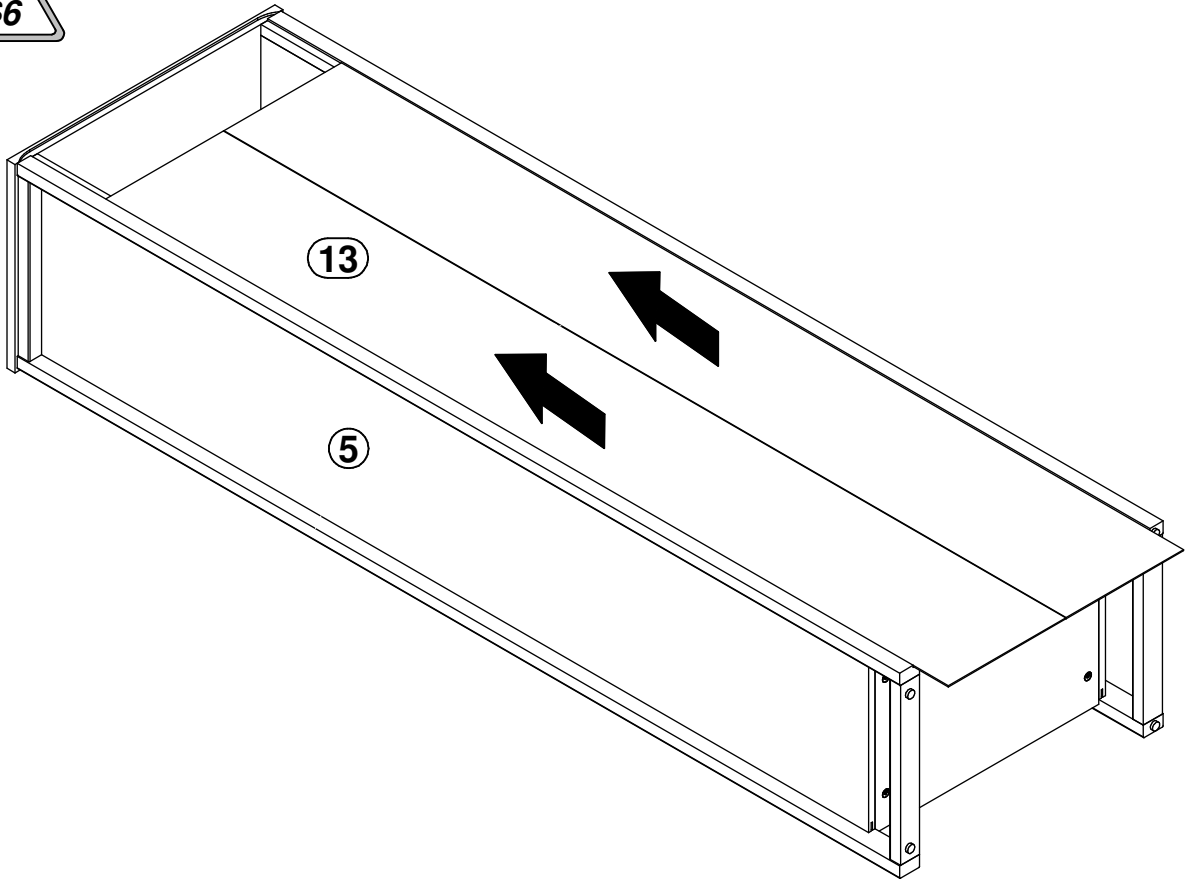
2



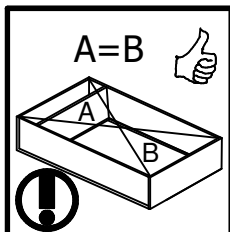
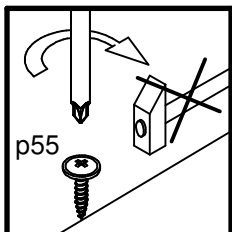
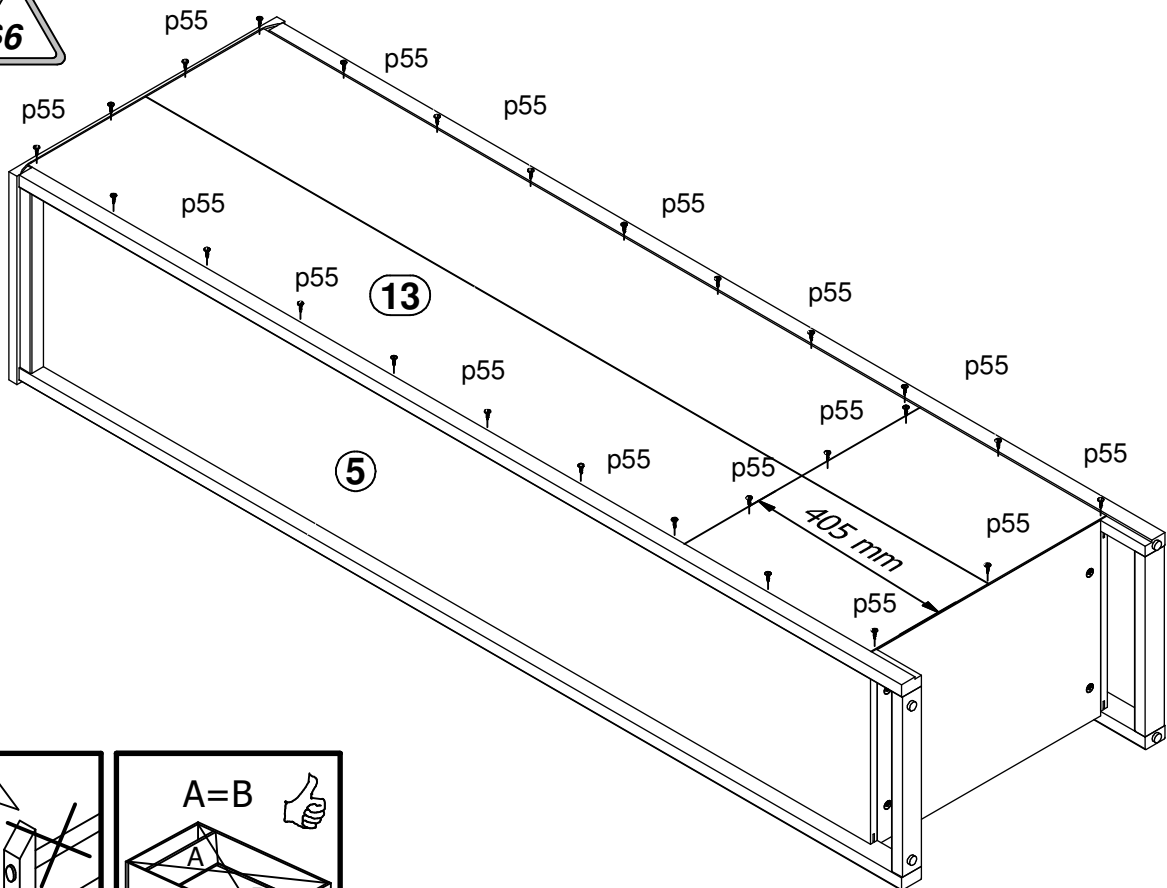
3



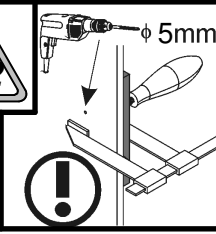
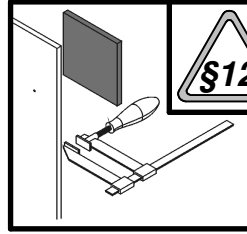
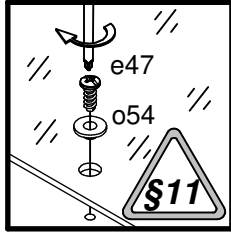
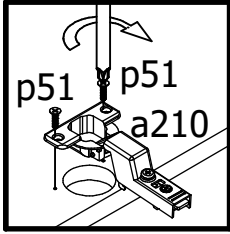
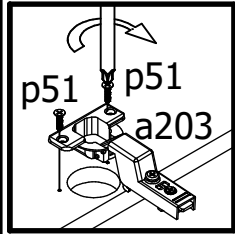
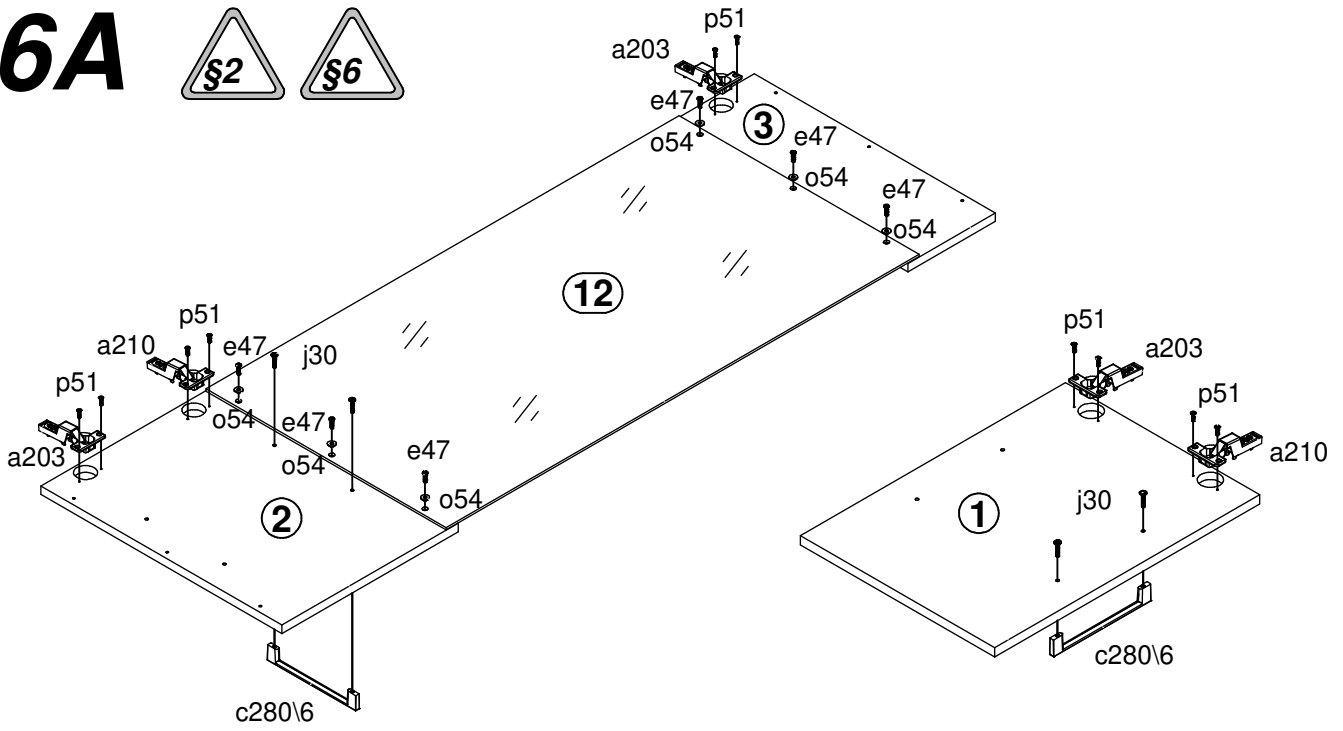
4



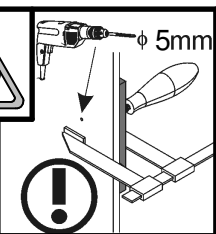
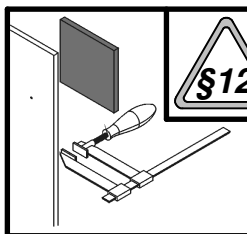
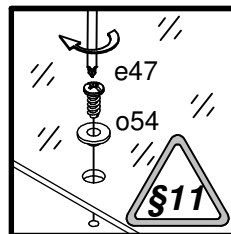
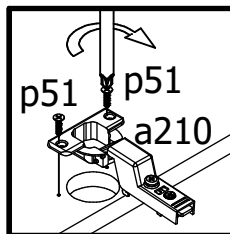
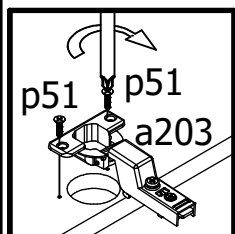
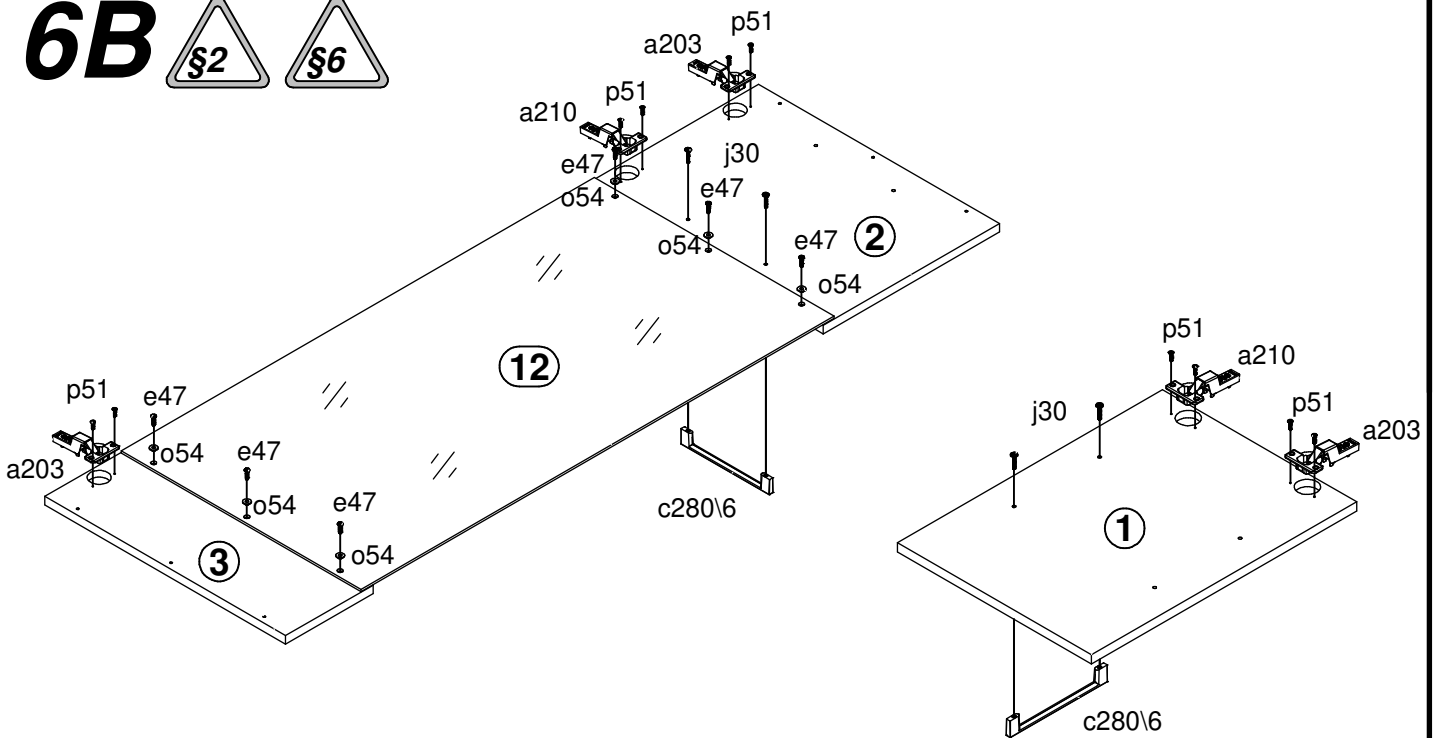
5



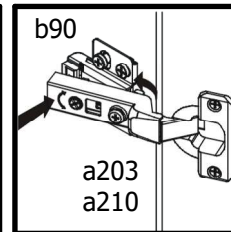
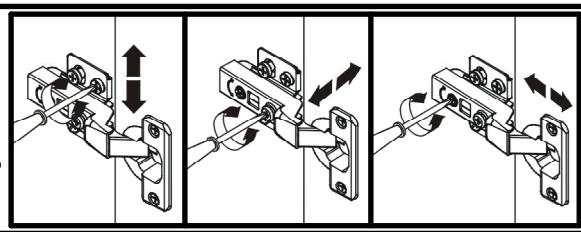
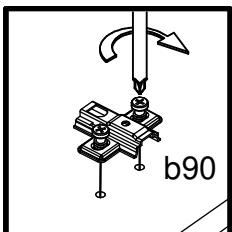
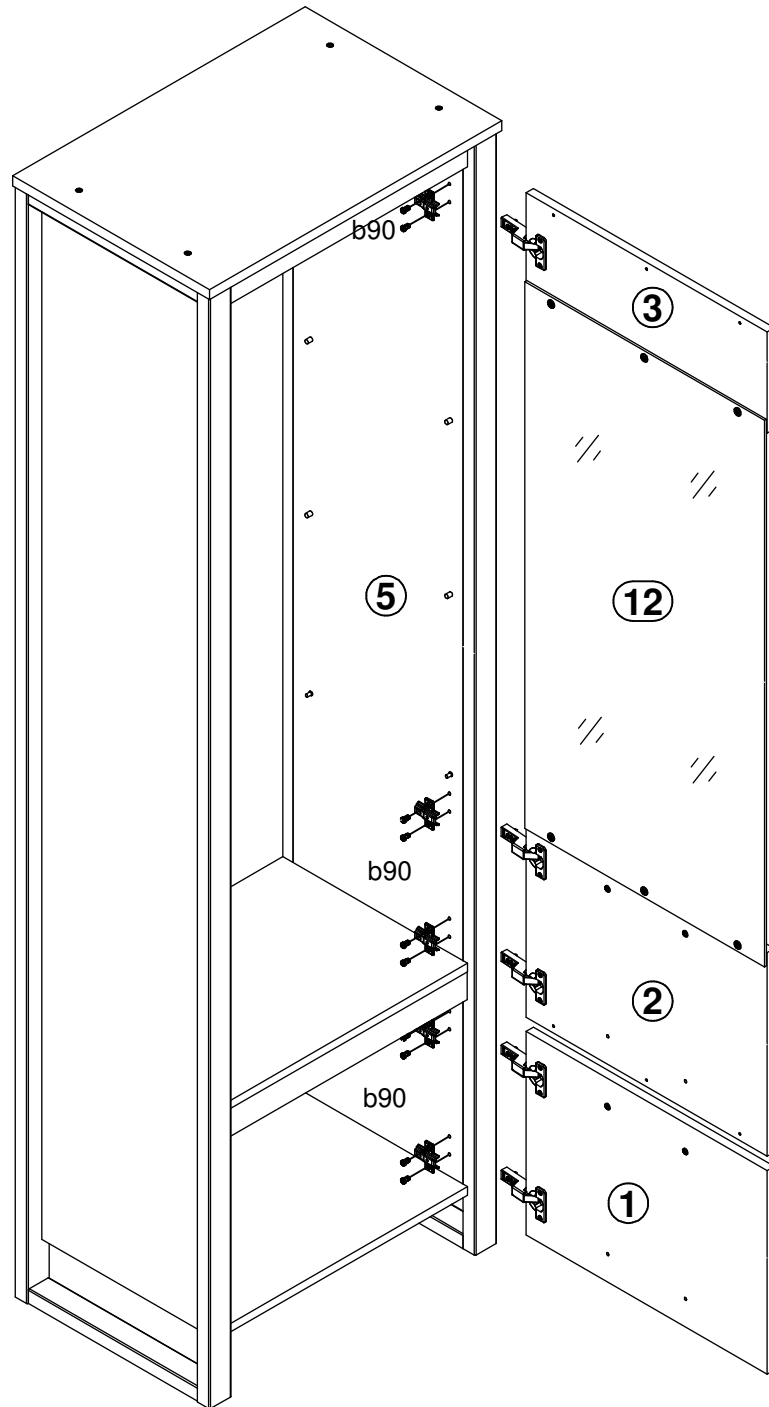
6A



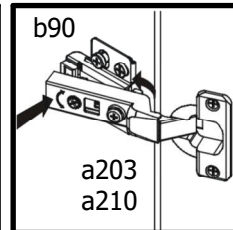
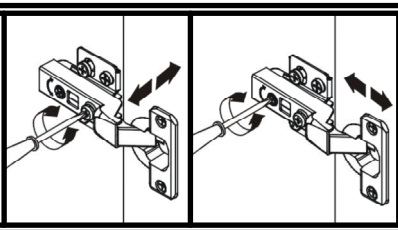
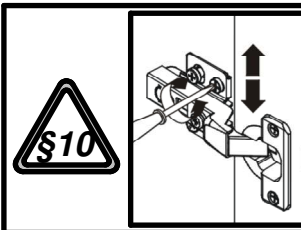
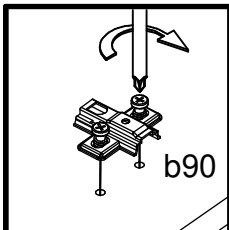
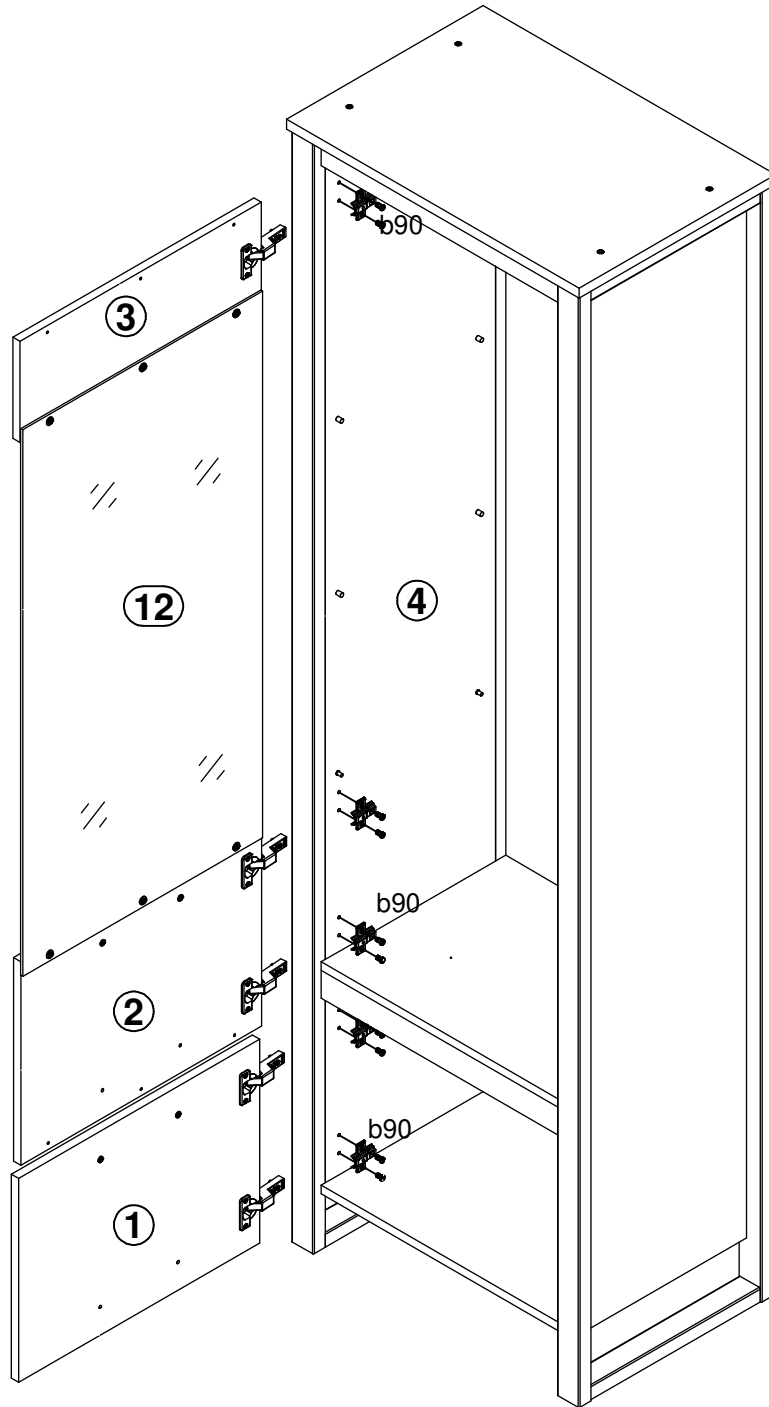
6B



7A



7B



8

