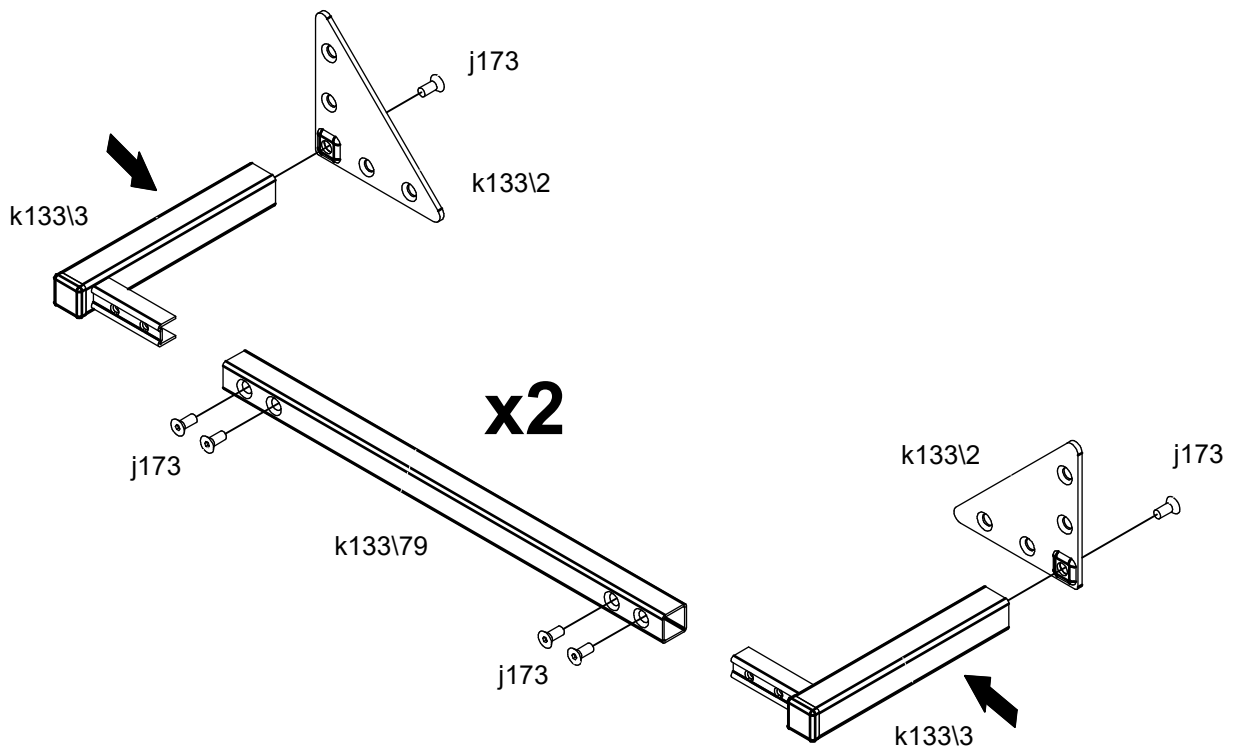
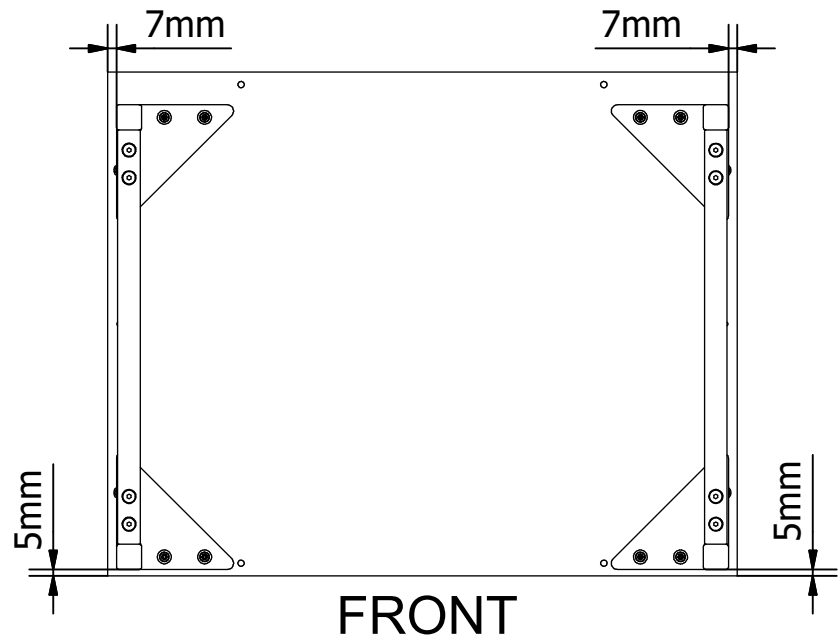


- | | | | | | | |
|------------------------|-----------------------|--------------|--------------|-------------------------|------------------------|-------------------|
| 2x
L-329
k133\79 | 4x
20x20
k133\5 | 4x
k133\3 | 4x
k133\2 | 12x
M5x12 mm
j173 | 16x
Ø4x16 mm
p19 | 1x
3 mm
z22 |
|------------------------|-----------------------|--------------|--------------|-------------------------|------------------------|-------------------|

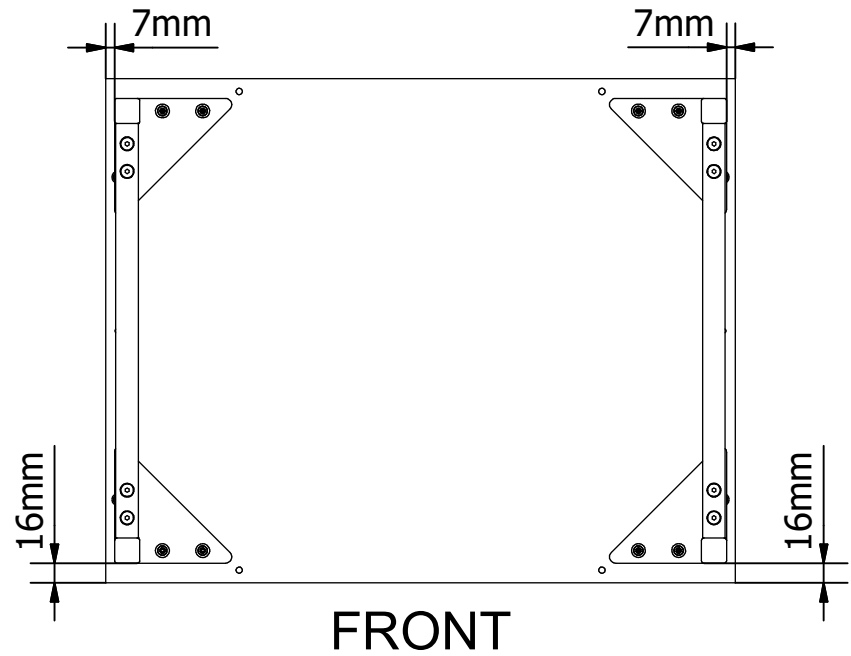
1



2A



2B



3

