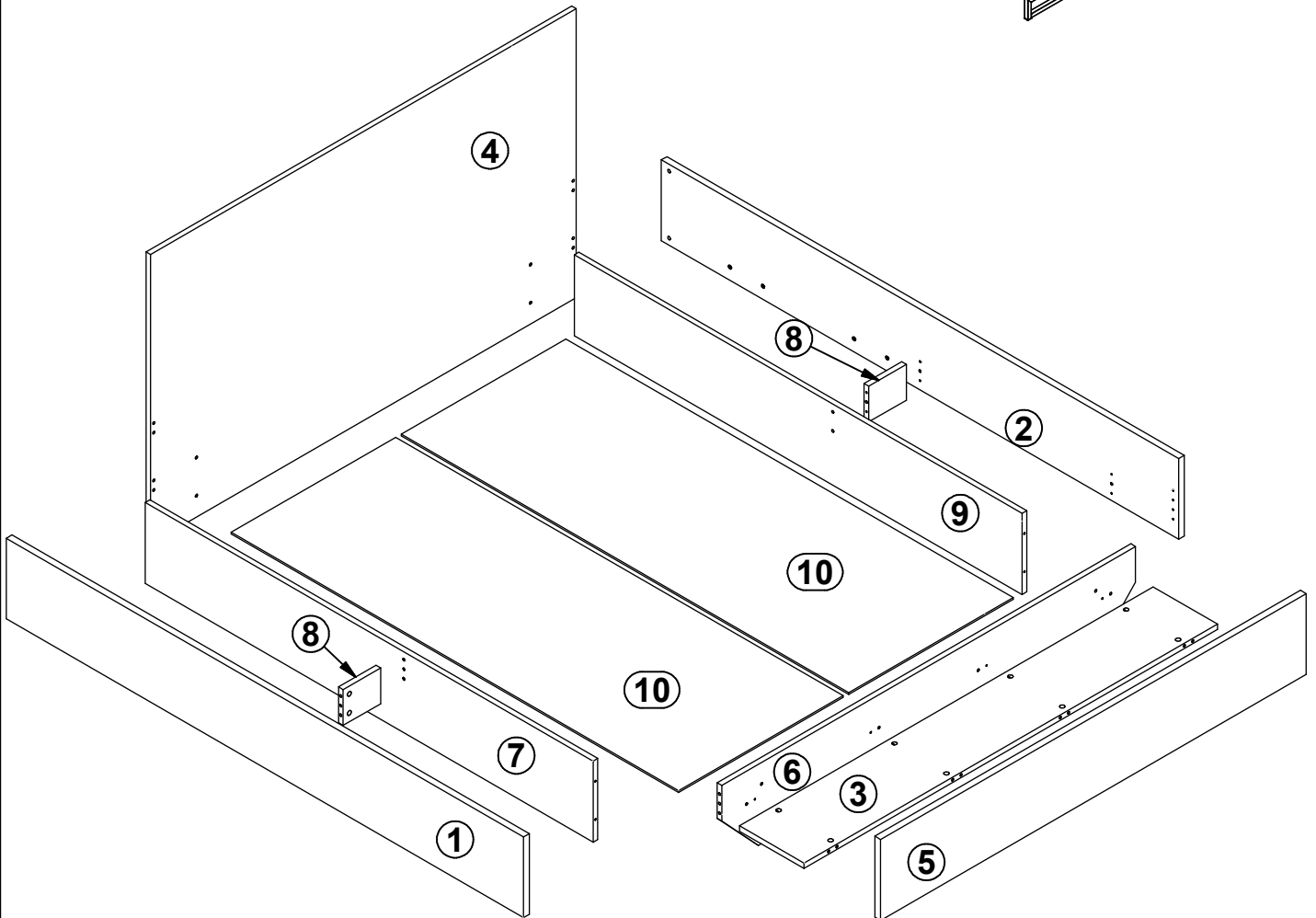
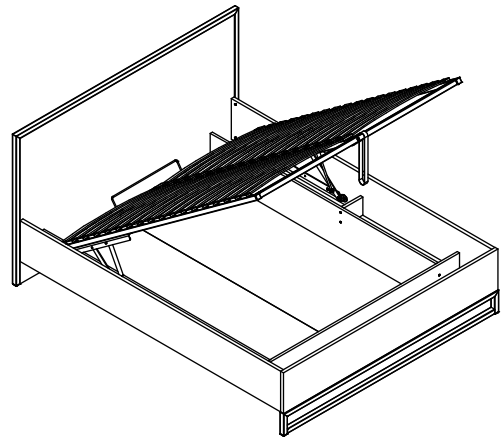


A

RAMLA

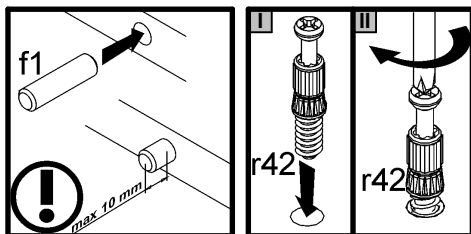
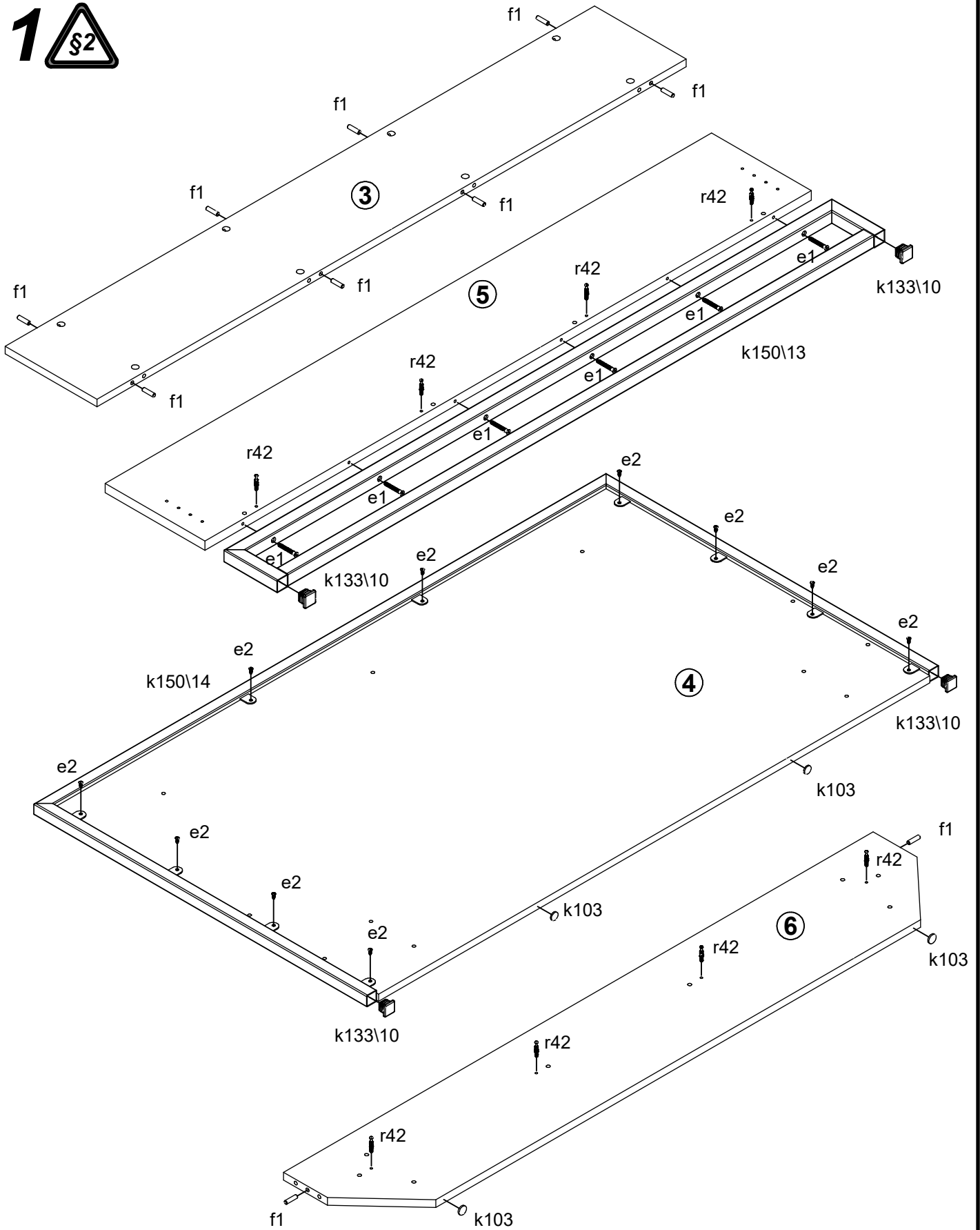
S489-LOZ/160/B

A	B	C	D
1	S489-1007	2000	270
2	S489-1008	2000	270
3	S489-3004	1599	249
4	S489-4002	1646	967
5	S489-4003	1646	271
6	S489-4004	1600	271
7	S489-4005	1732	271
8	S489-4006	145	120
9	S489-4008	1732	271
10	S489-9004	1730	636

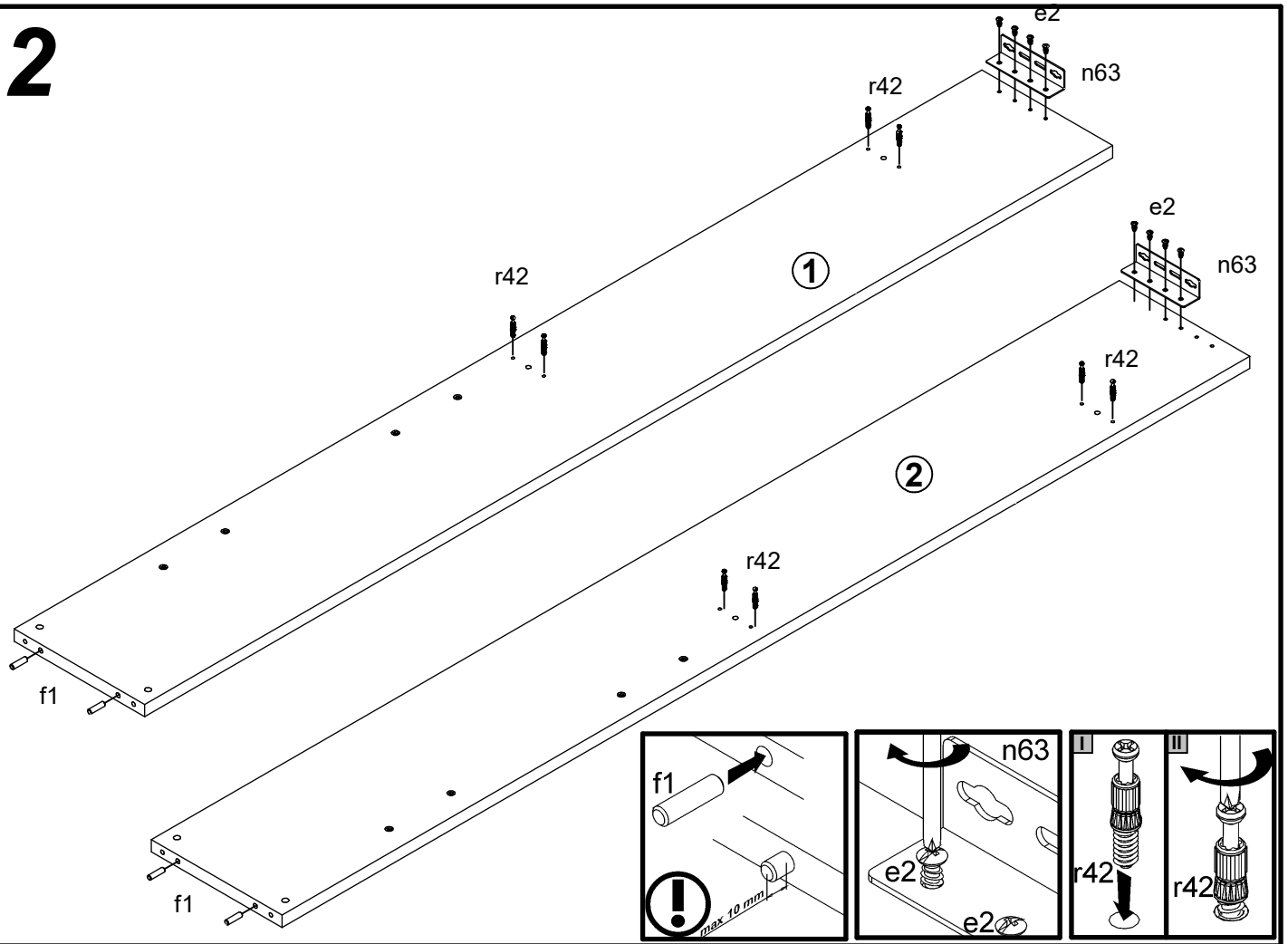


18x Ø7x50 mm e1	26x Ø6.3x13 mm e2	18x Ø8x30 mm f1	8x M6x20 mm j167	1x M6x60 mm j144	8x Ø20x3mm k103	4x 30x30 k133\10	1x k150\13
1x k150\14	2x 130x34x34\2 mm n63	16x Ø15x12 mm #16 r1	16x 20\11 r42	4x Ø10x16 mm r43	2x Ø14x0.5 mm s59	1x 4 mm z1	1x 3 mm z22

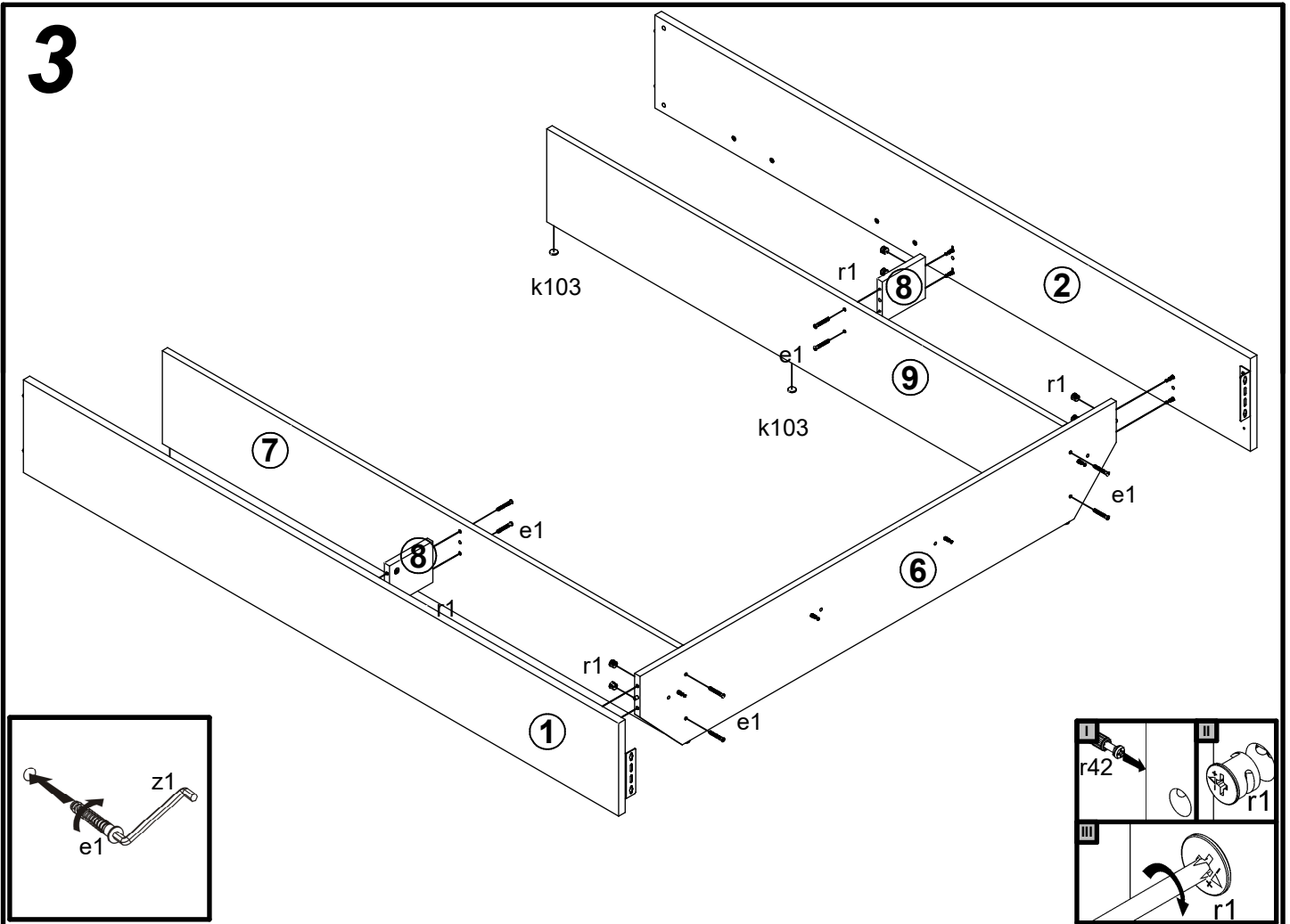
1 



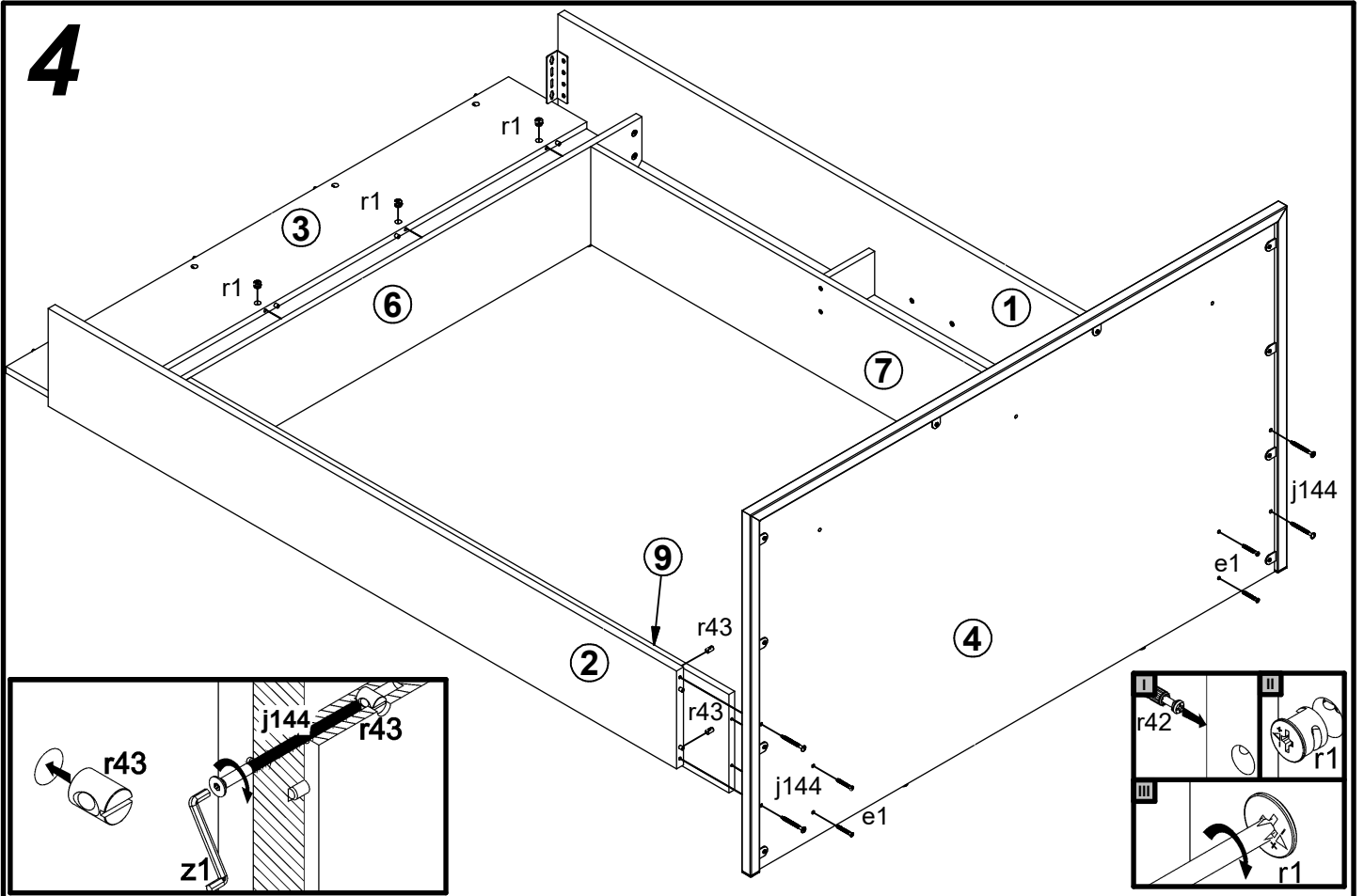
2



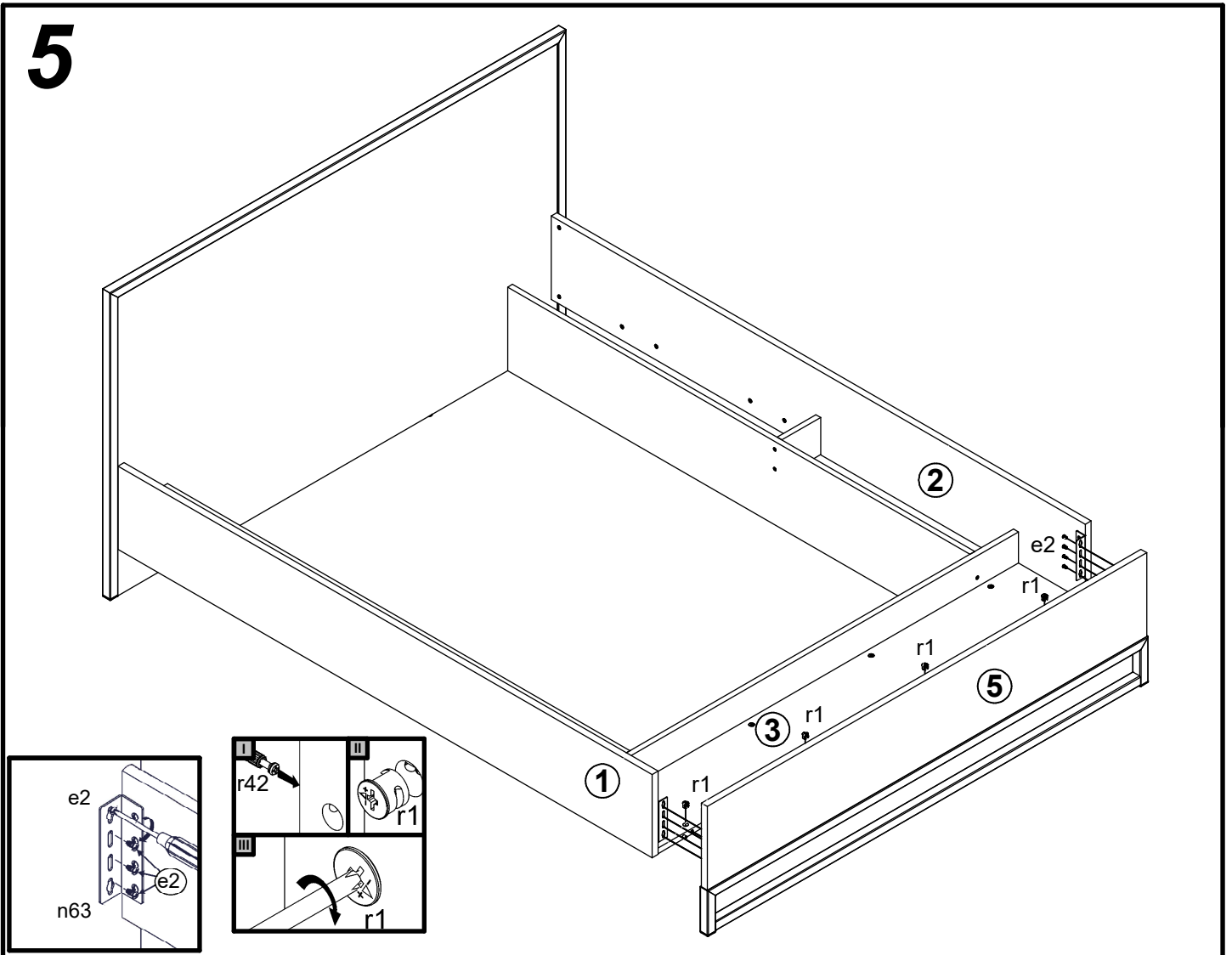
3



4



5



6

