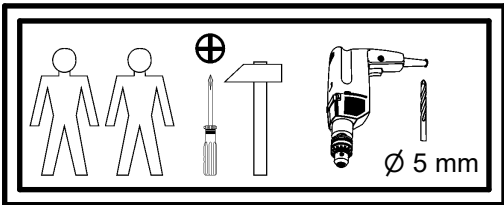
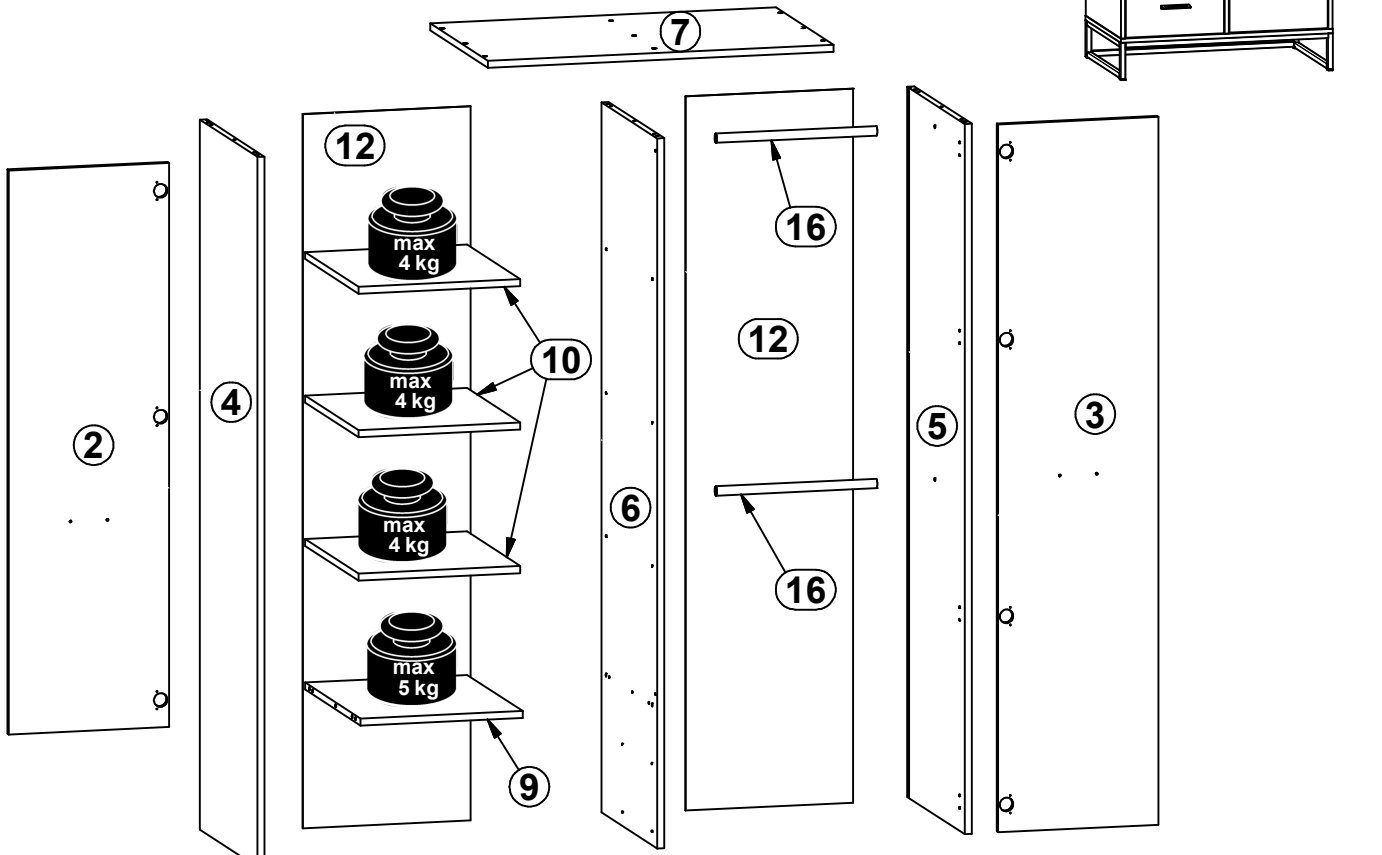
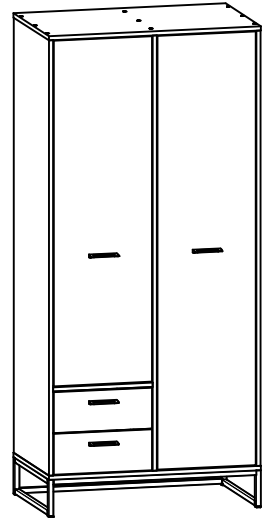
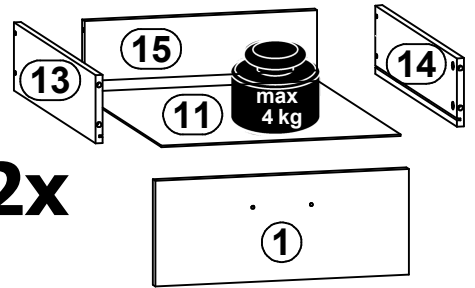


A	B	C		D	A	B	C		D
1	S489-0006	417	170	4/5	9	S489-3011	422	540	3/5
2	S489-0009	417	1439	4/5	10	S489-3012	421	518	3/5
3	S489-0010	417	1806	4/5	11	S489-9011	393	507	3/5
4	S489-1018	1812	560	1/5	12	S489-9012	1822	436	2/5
5	S489-1019	1812	560	1/5	13	ZQ6-523	500	110	3/5
6	S489-1020	1812	540	2/5	14	ZQ6-524	500	110	3/5
7	S489-2011	900	560	3/5	15	ZQ6-5009	382	97	3/5
8	S489-2012	900	560	3/5	16	dr-418	418	22	3/5

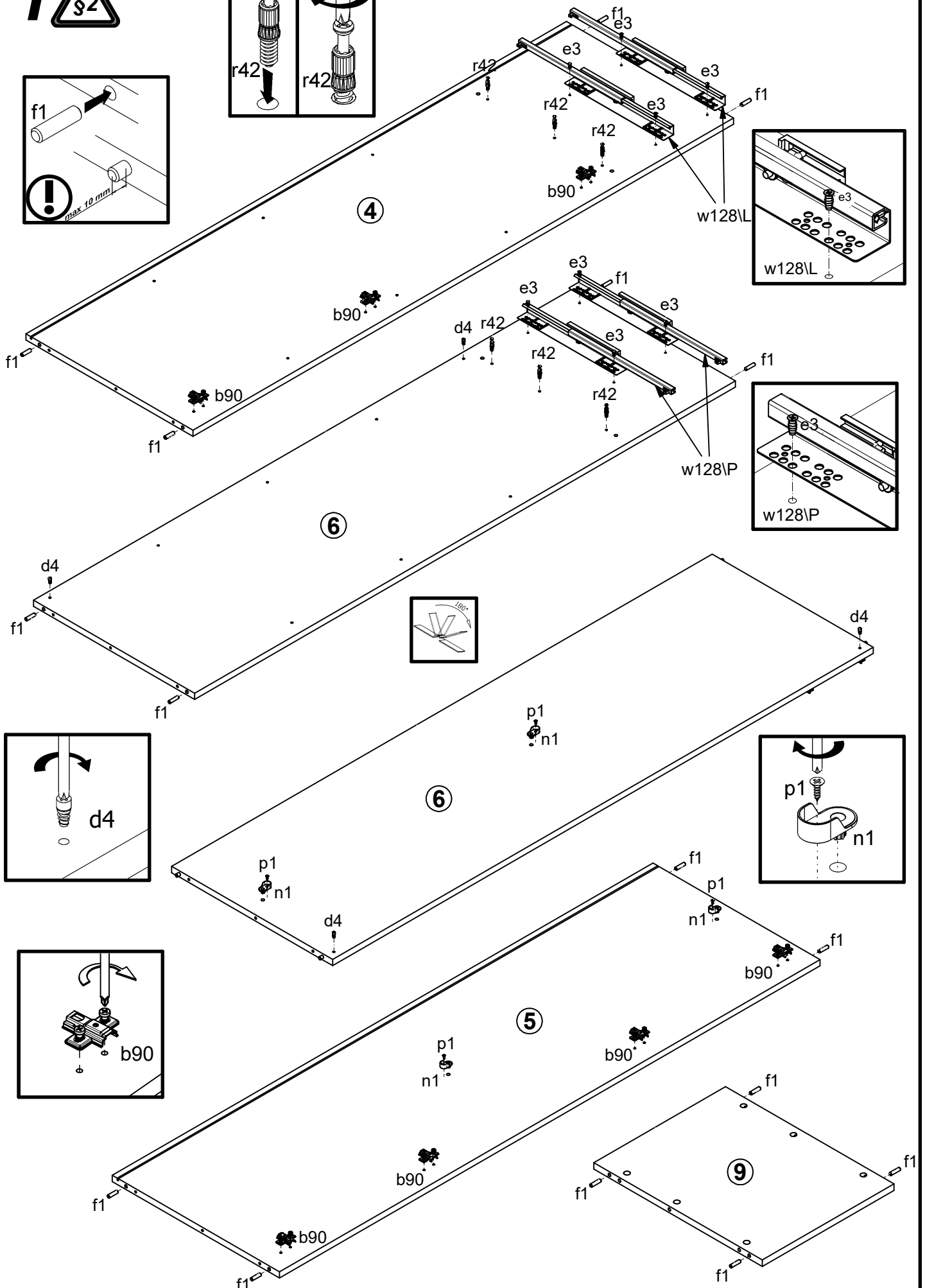
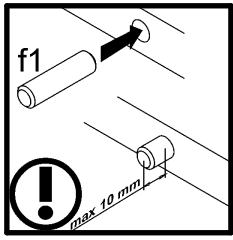
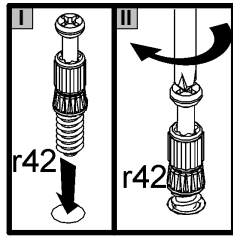


2x



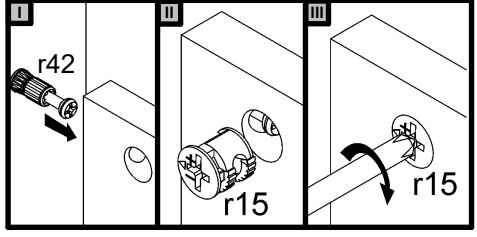
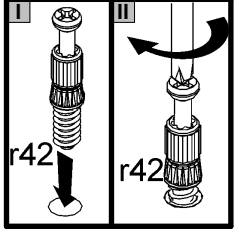
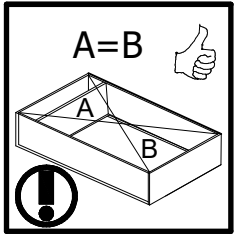
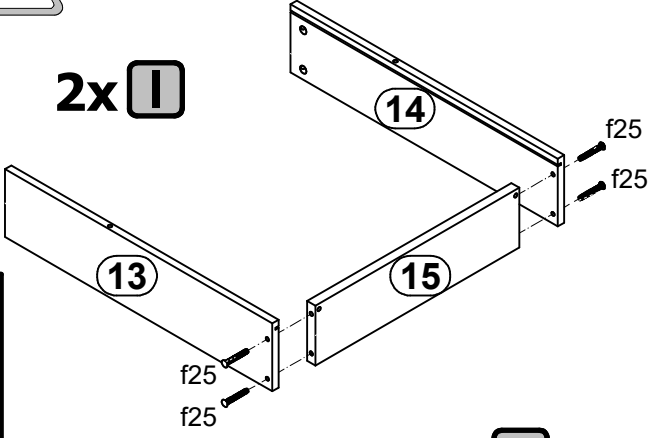
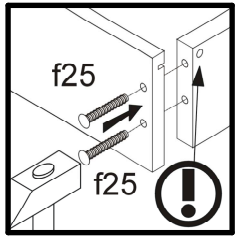
3x hamulec a203	4x a210	7x b90	4x 96mm c556\1	12x d1	4x d4	18x e1	8x e3	8x e16
16x f1	8x f25	8x j30	12x j173	4x k133\5	1x k150\17L	1x k150\17P	1x k150\15	2x k150\4
14x i2	4x n1	9x n108	4x p1	6x p38	14x p51	16x p55	6x r1	8x r15
14x r42	2x w128\L	2x w128\P	1x z1	1x z22	1x n14\2	2x p38	1x f35	1x p17

1 

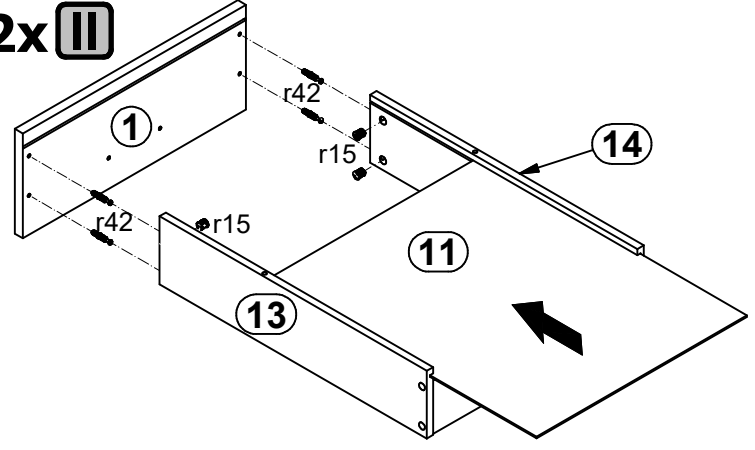


2  

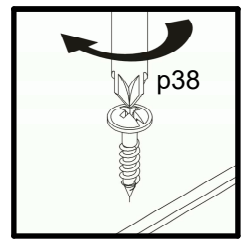
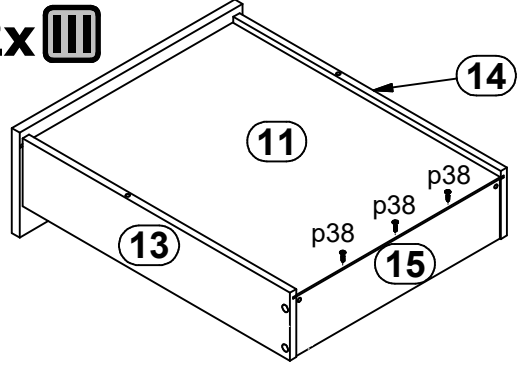
2x I



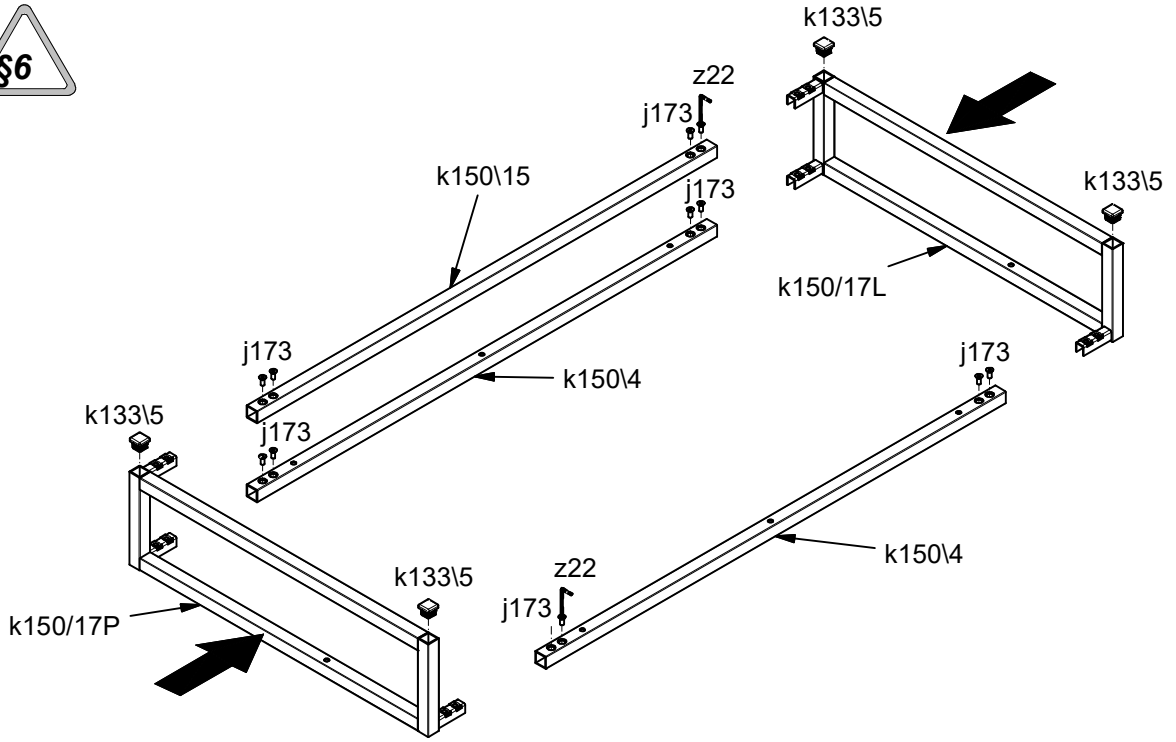
2x II

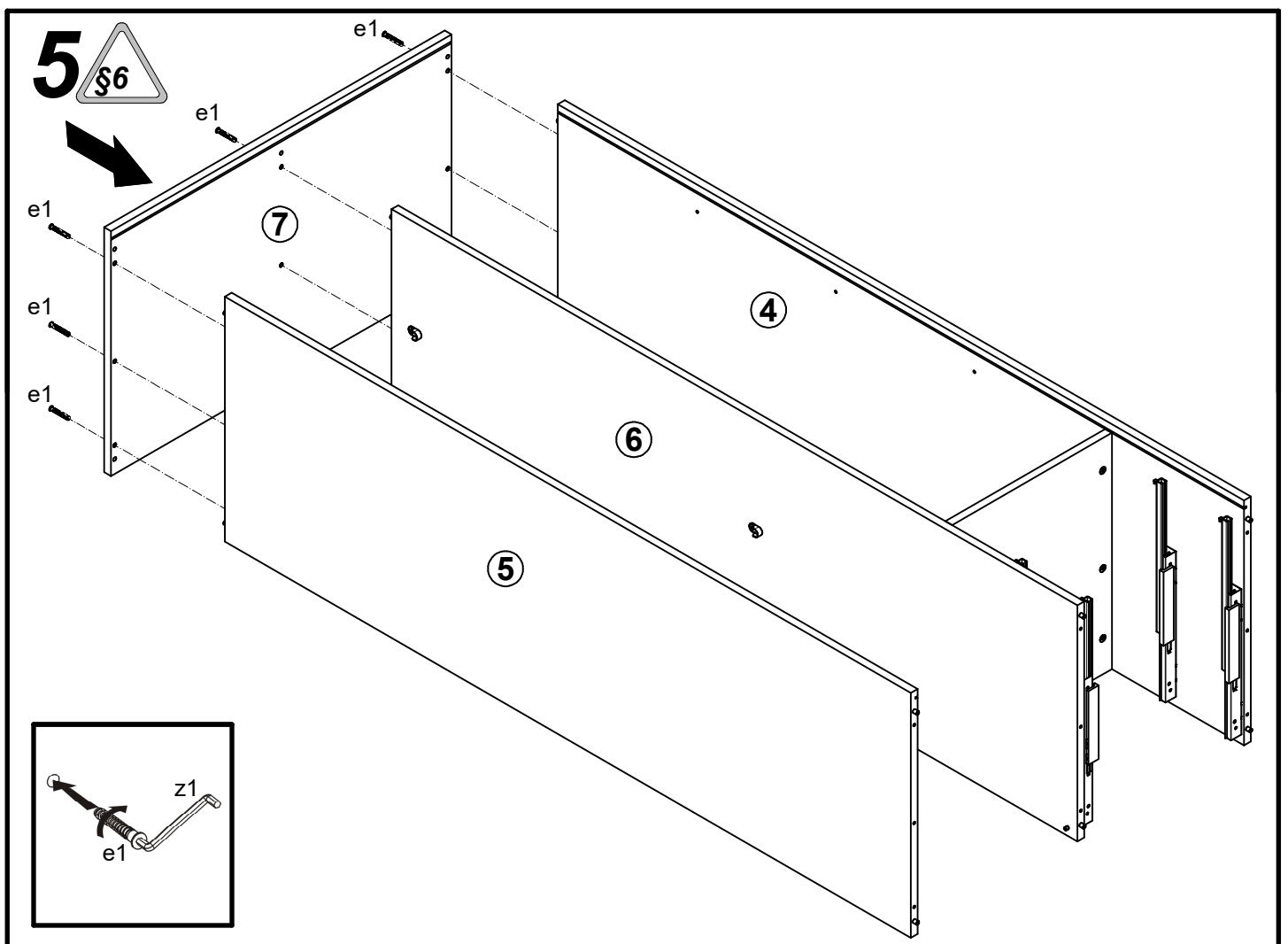
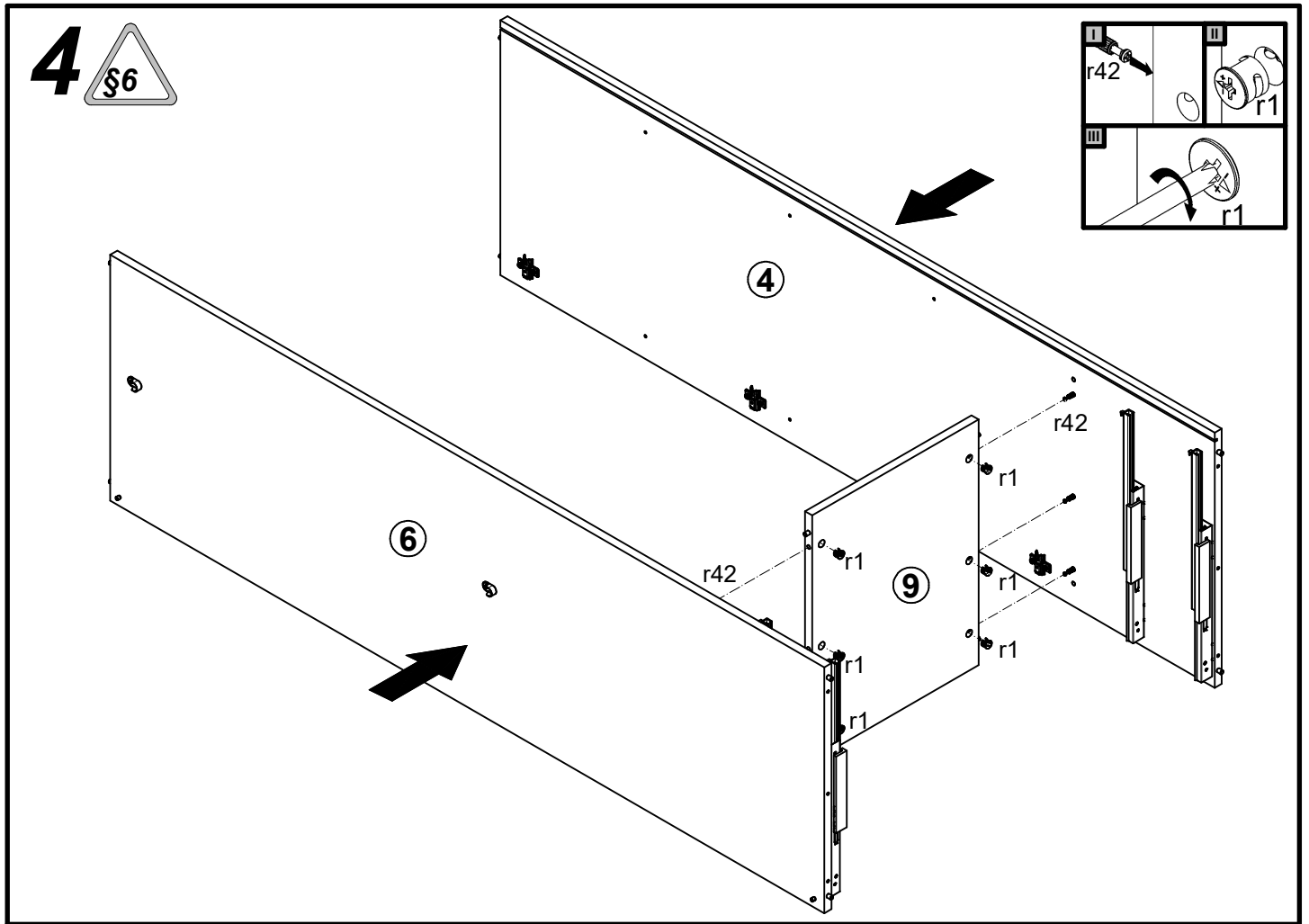


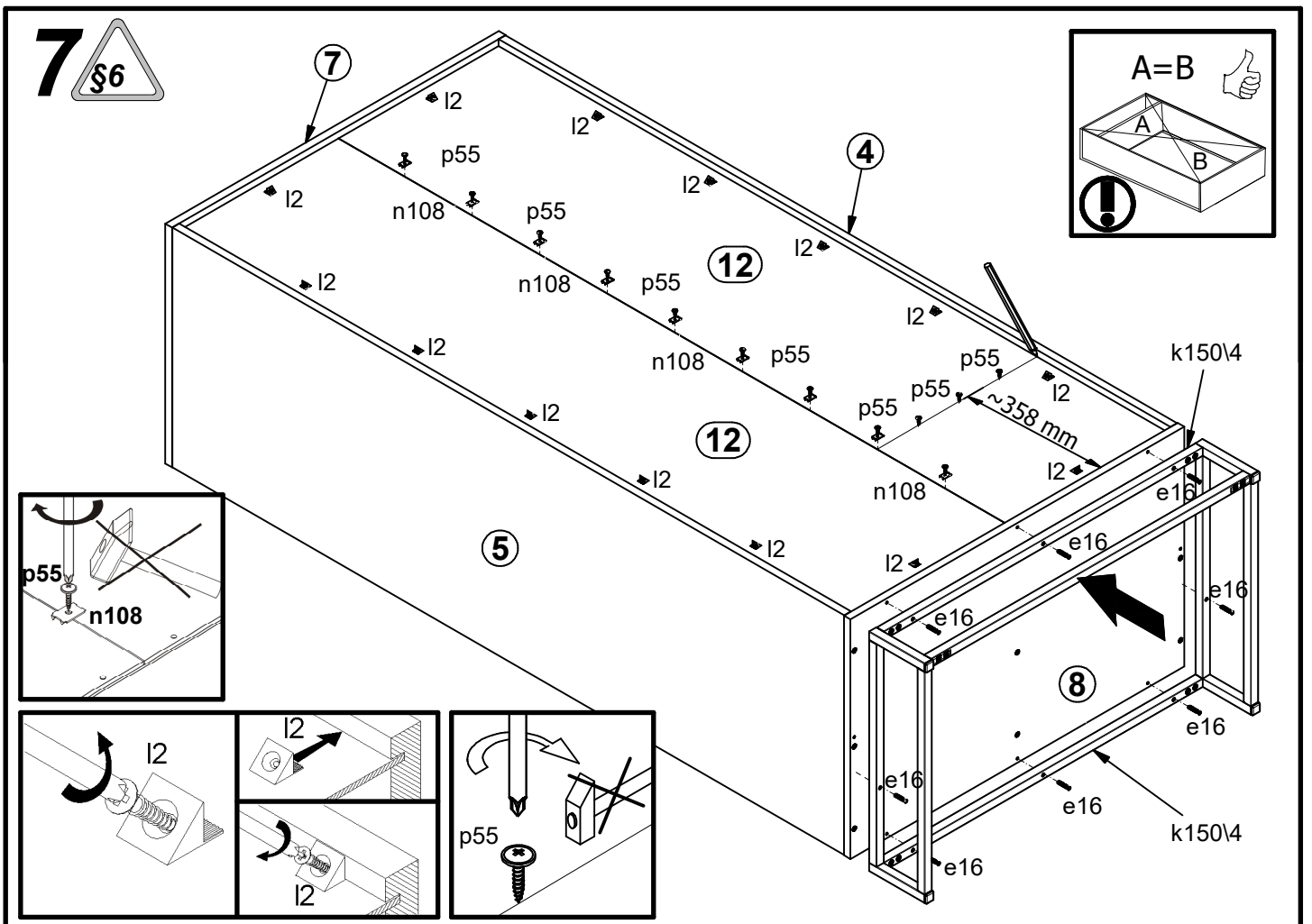
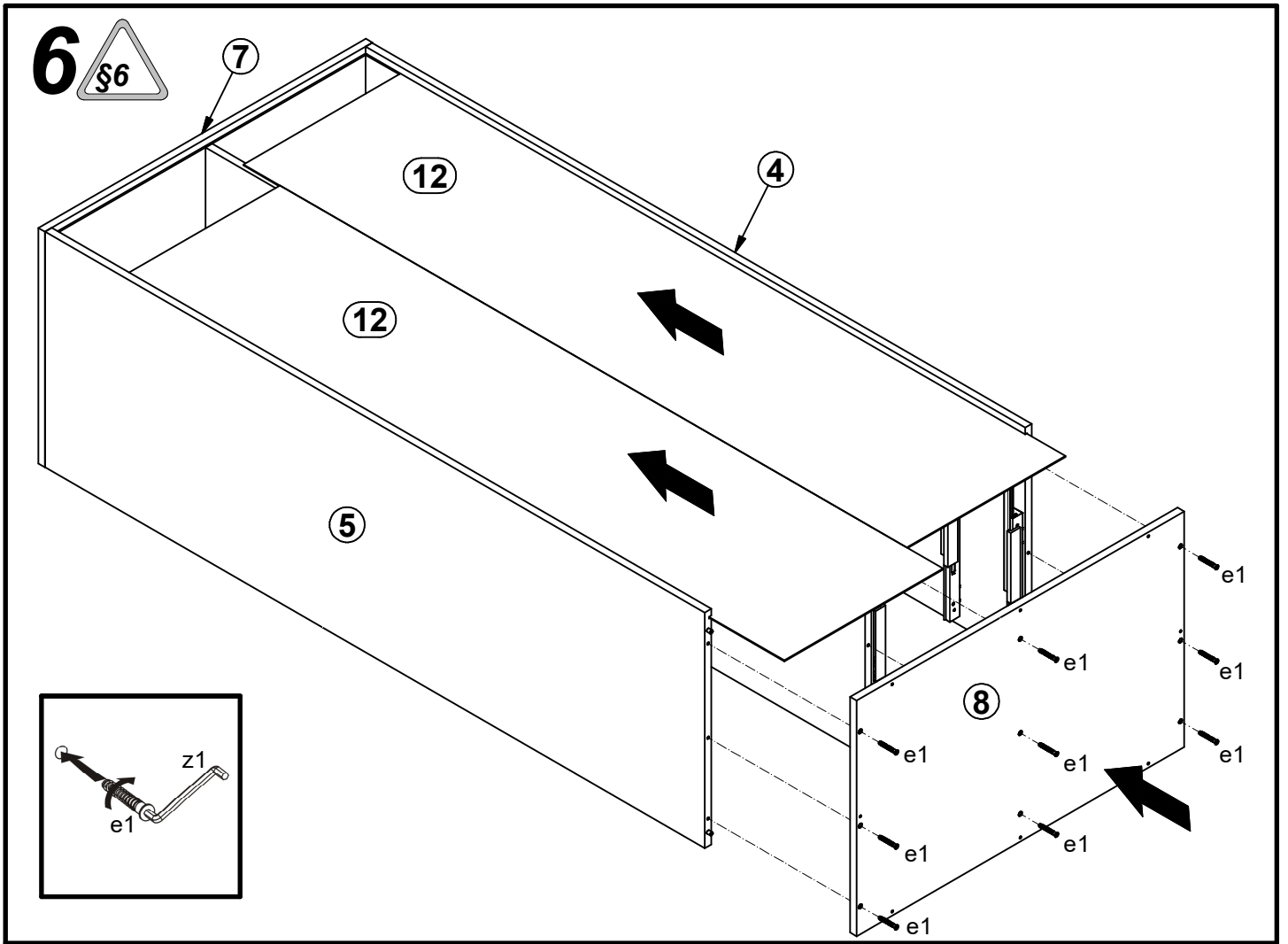
2x III



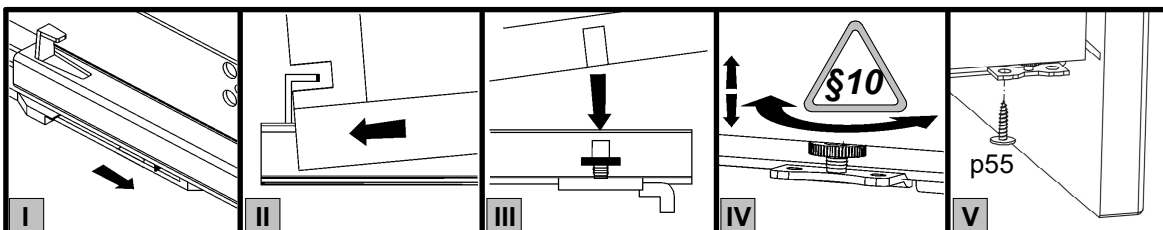
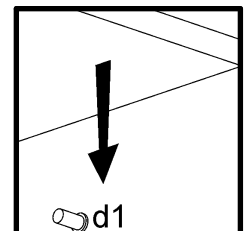
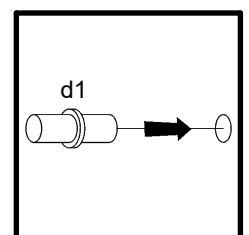
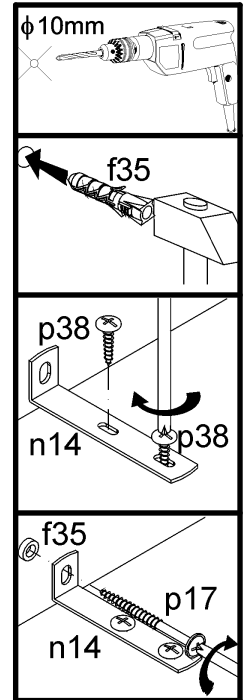
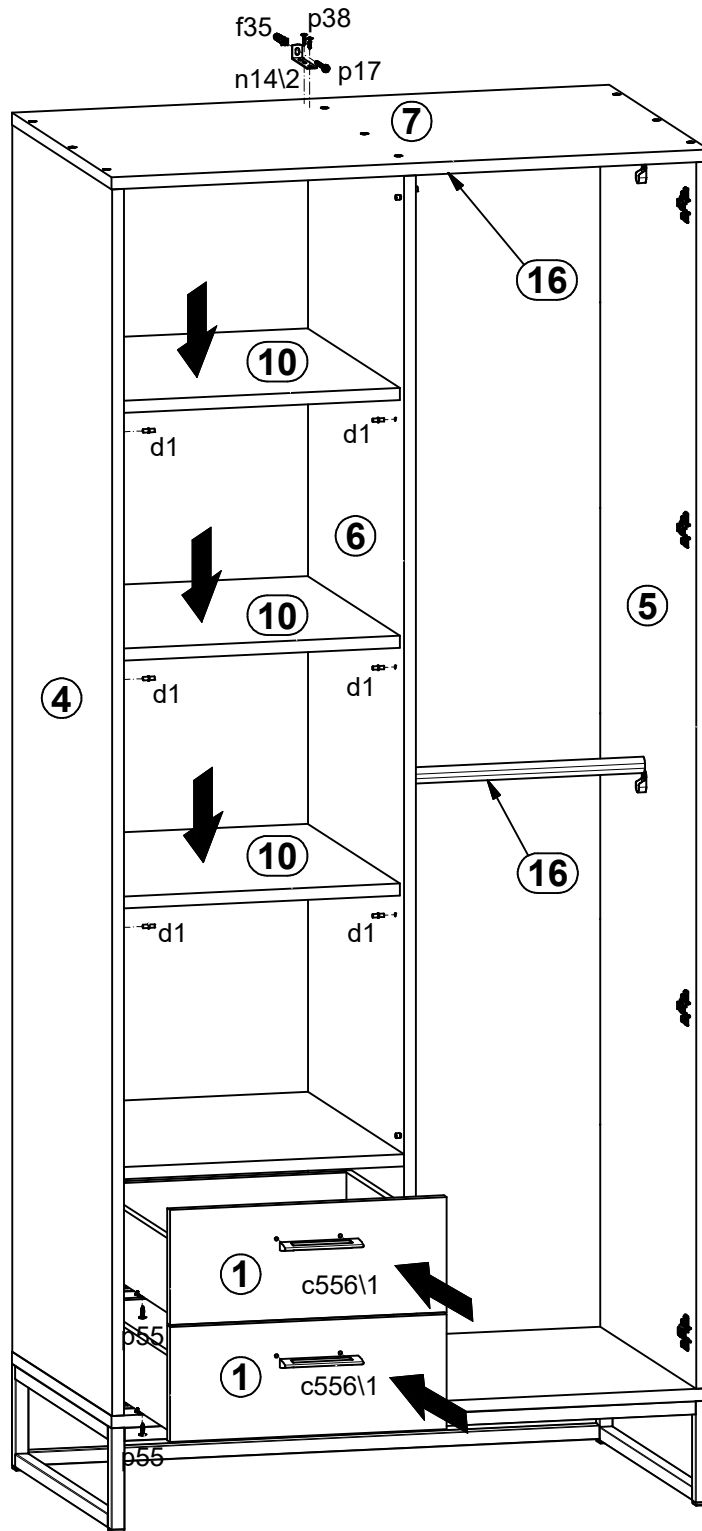
3 



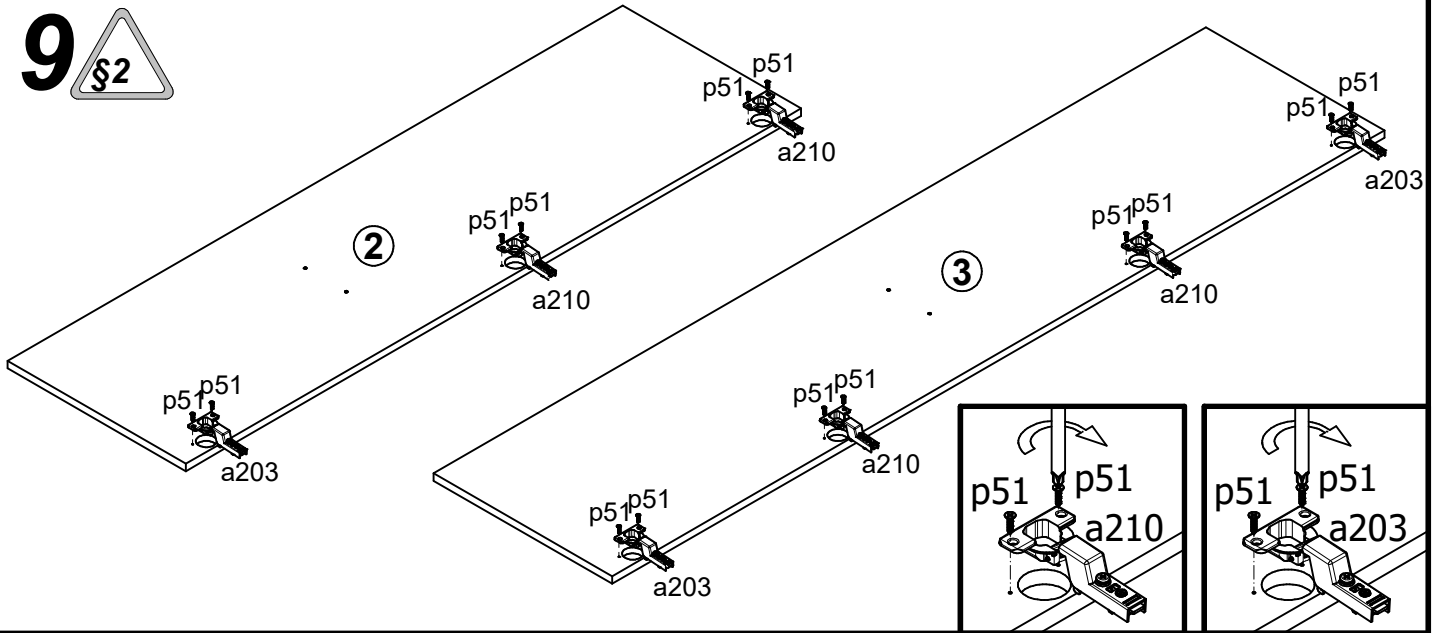




8



9 §2



10 §6

