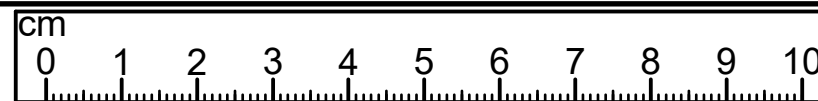
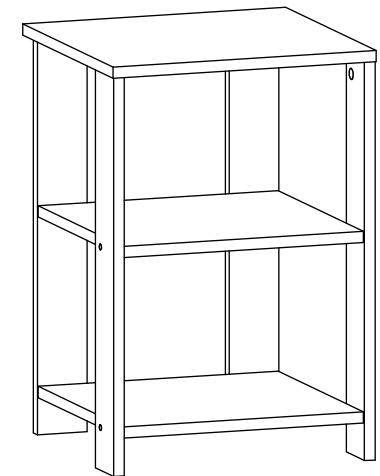
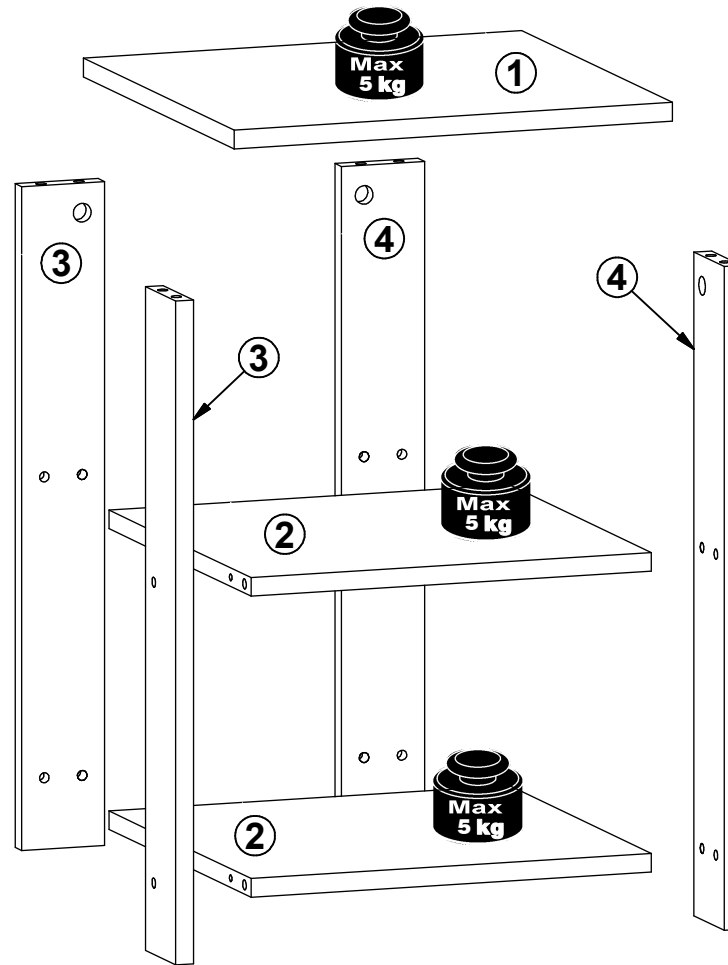
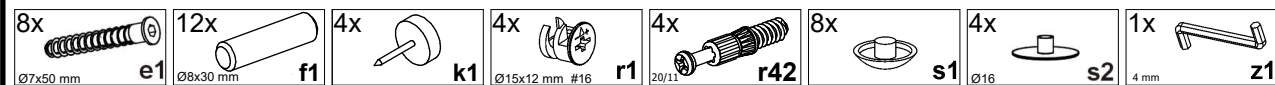


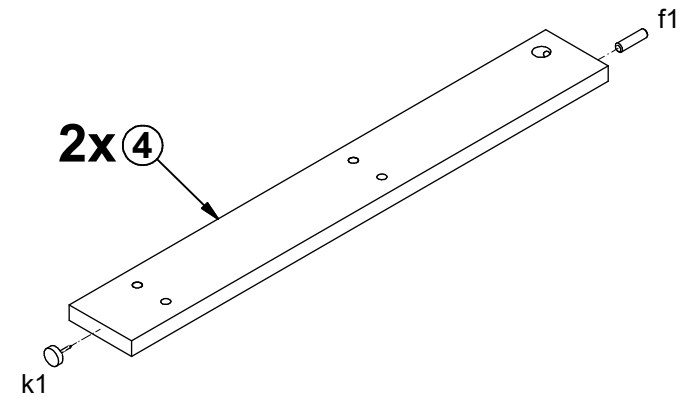
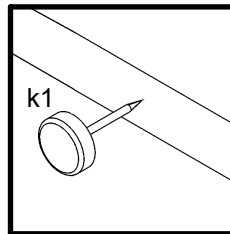
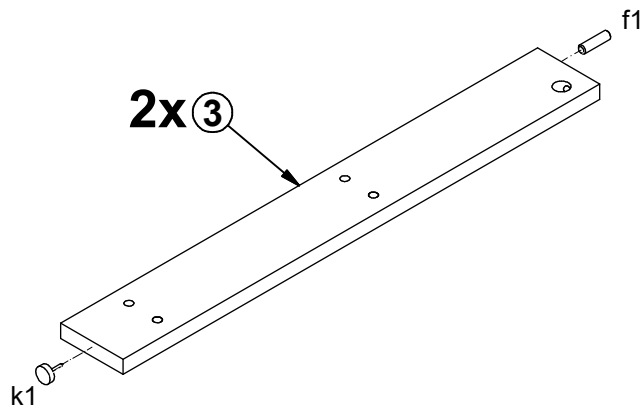
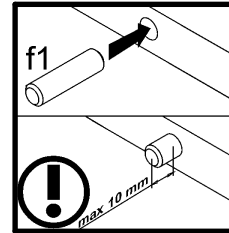
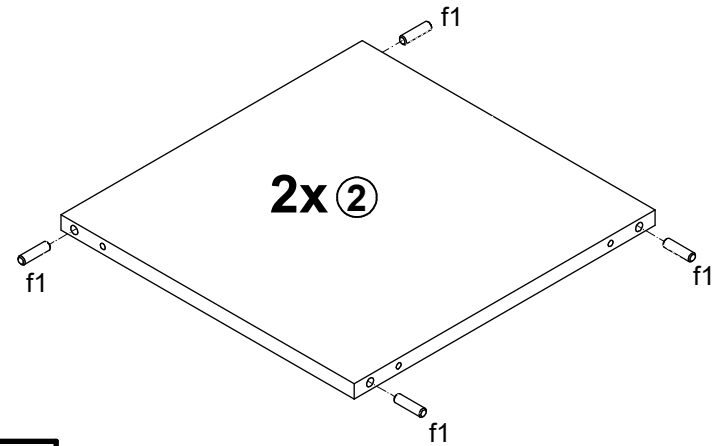
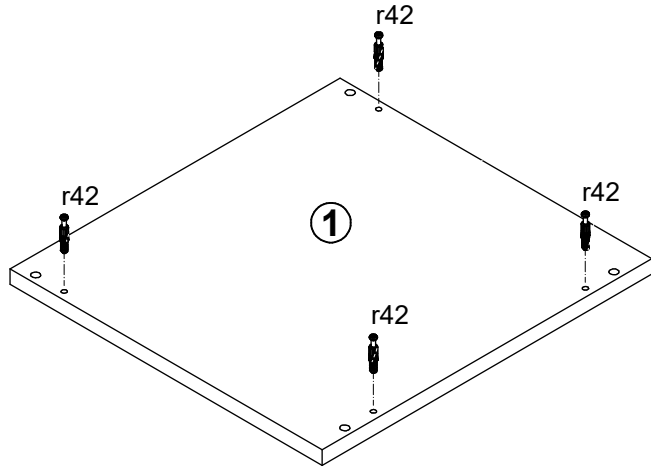
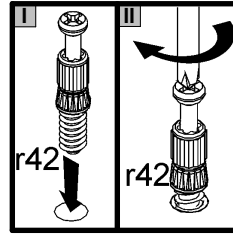
A	B	C (mm)			D
1	S610-2010	370	350	15	1/1
2	S610-3008	338	329	15	1/1
3	S610-5001	535	70	15	1/1
4	S610-5002	535	70	15	1/1



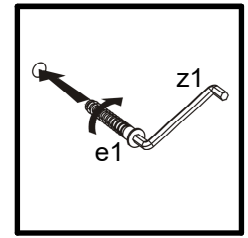
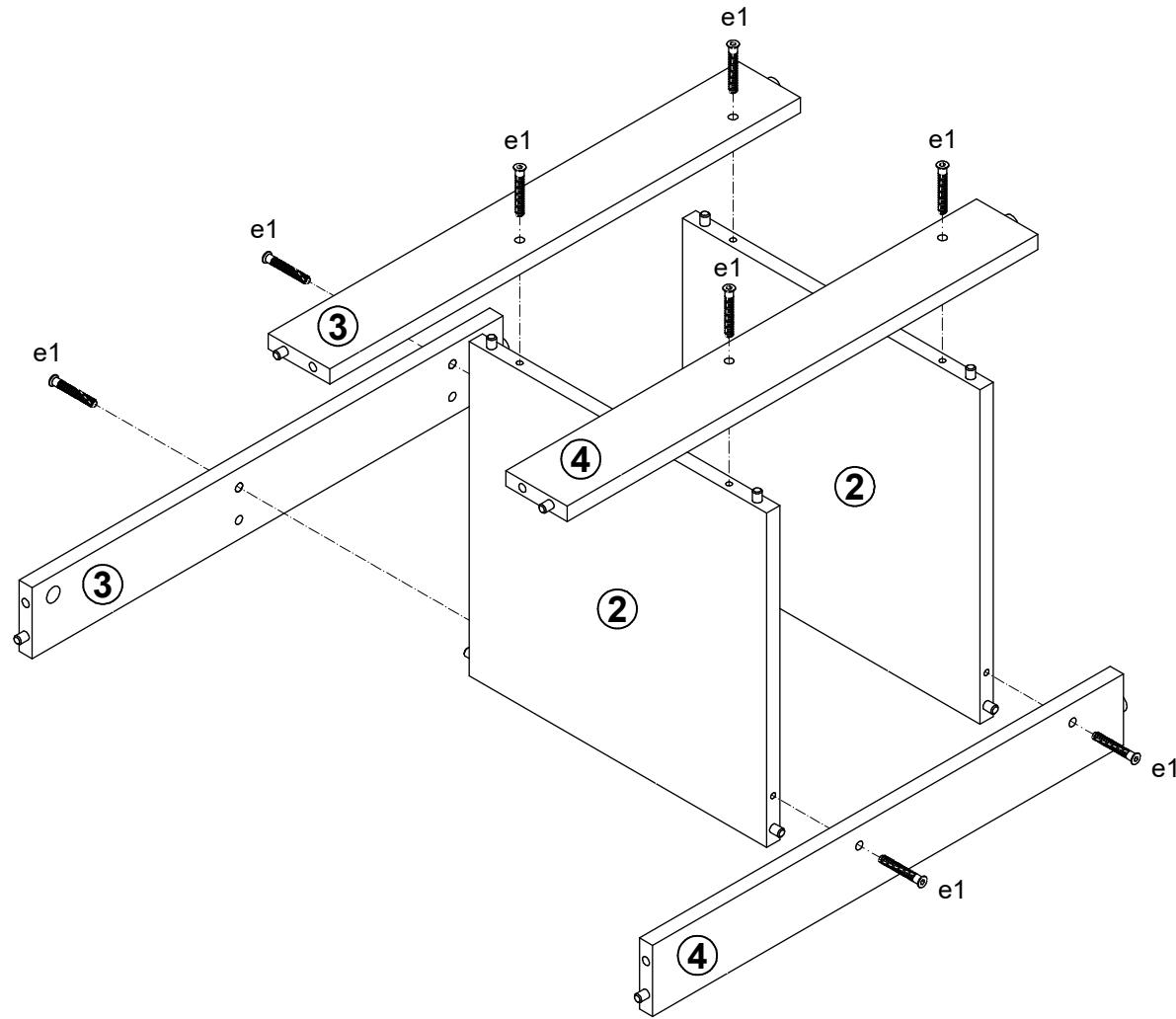
D
1/1

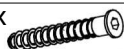
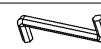


1 §2

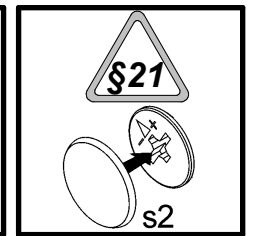
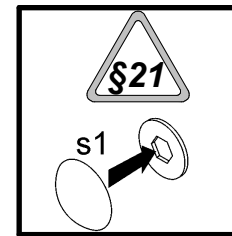
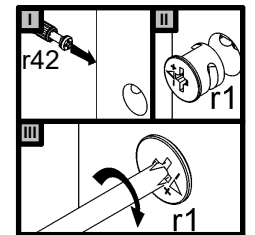
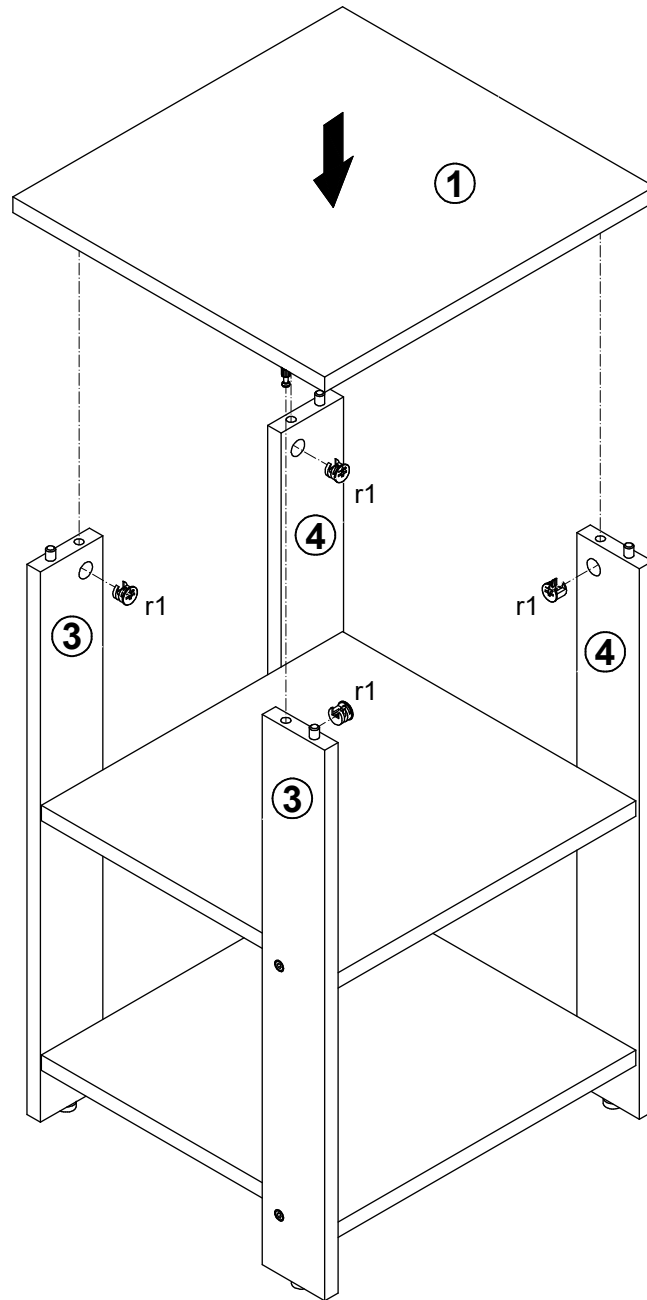




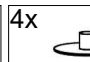
2 



- 8x  e1 Ø7x50 mm
- 1x  z1 4 mm

3 



- 4x  r1
- 8x  s1
- 4x  s2

4

