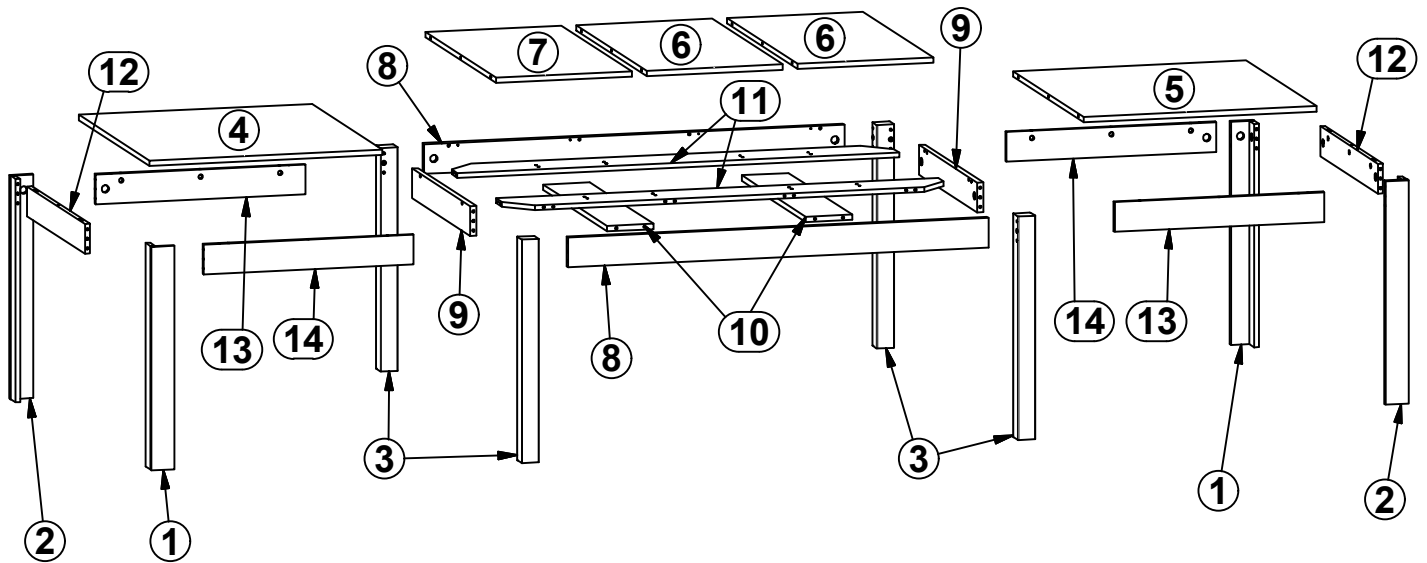
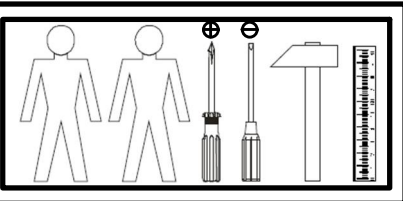
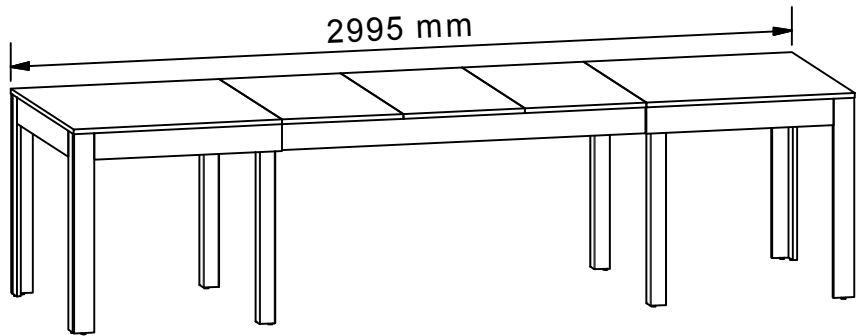
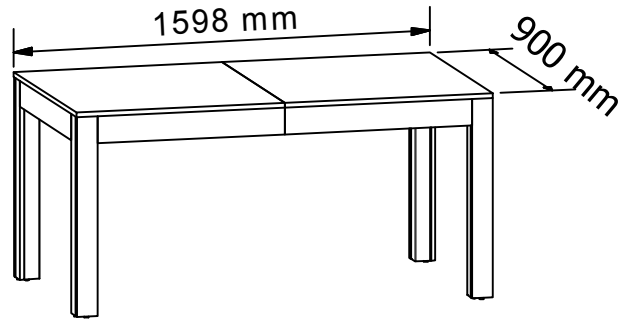
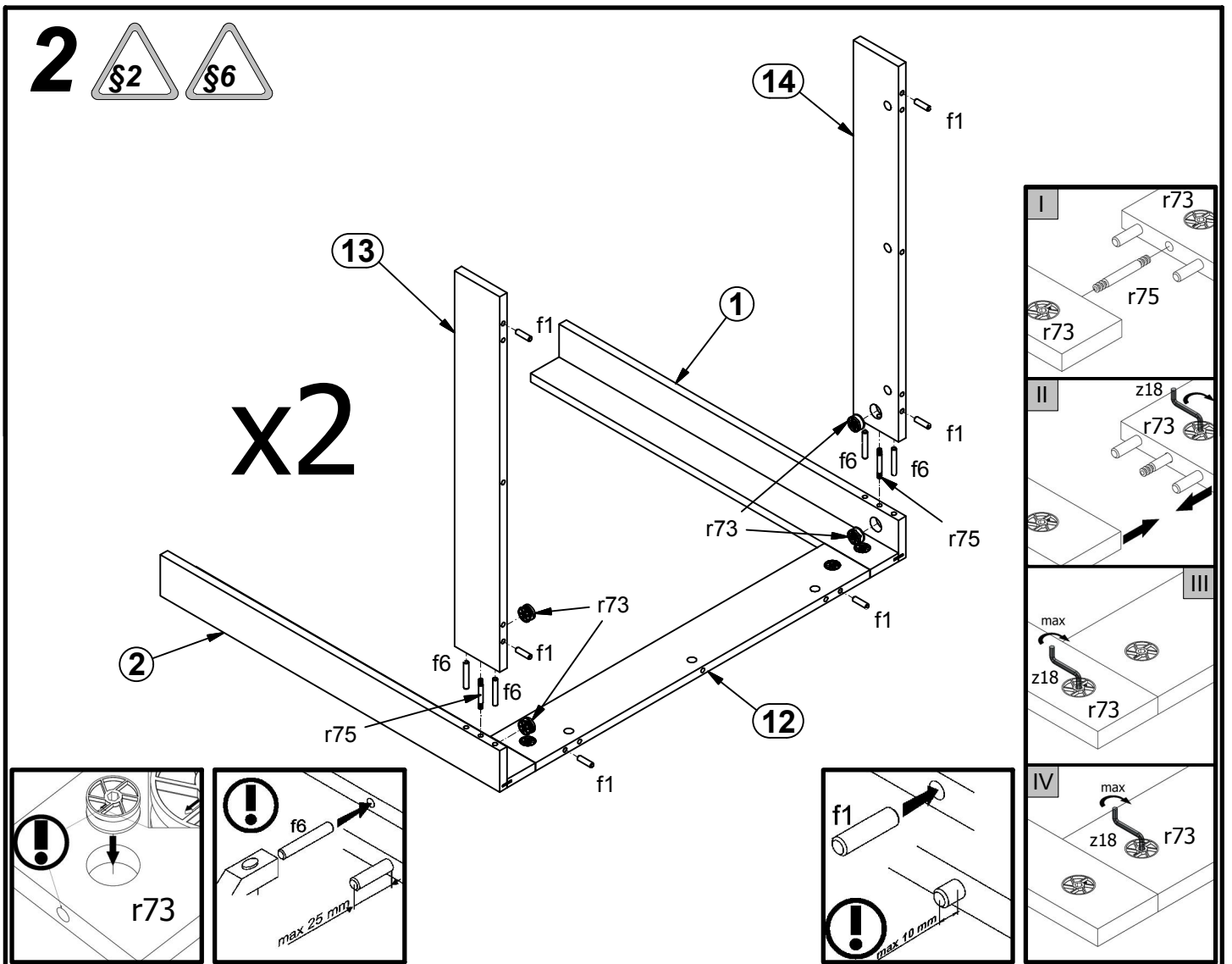
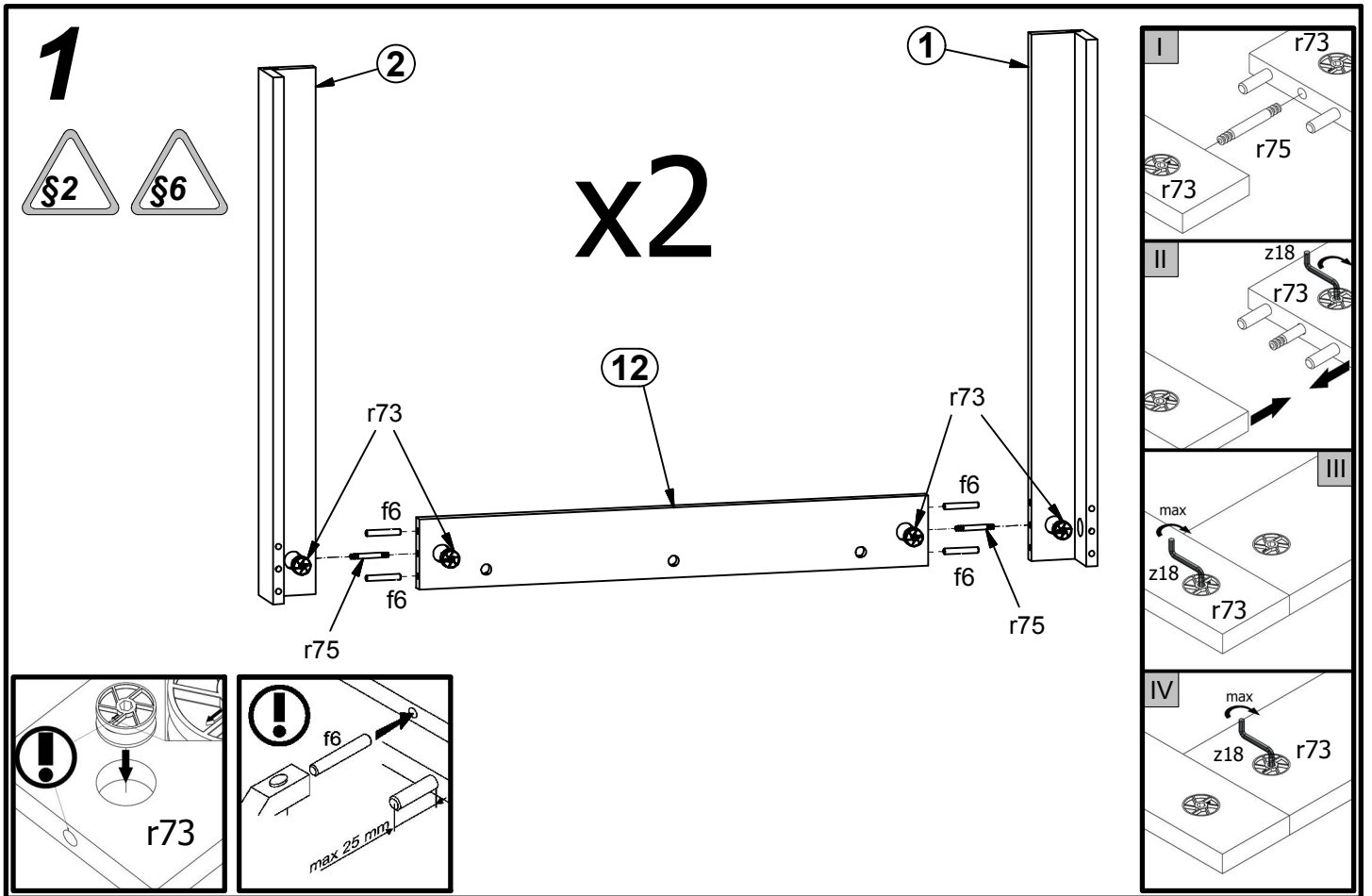


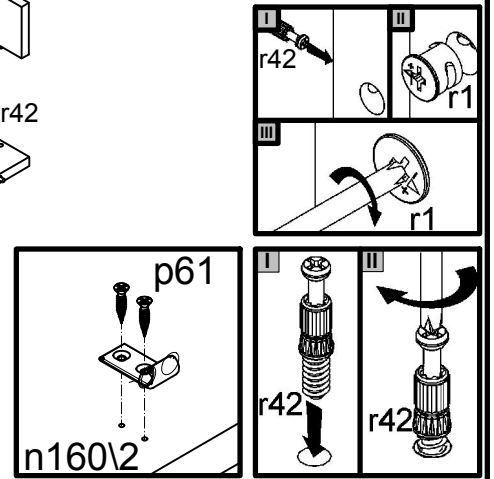
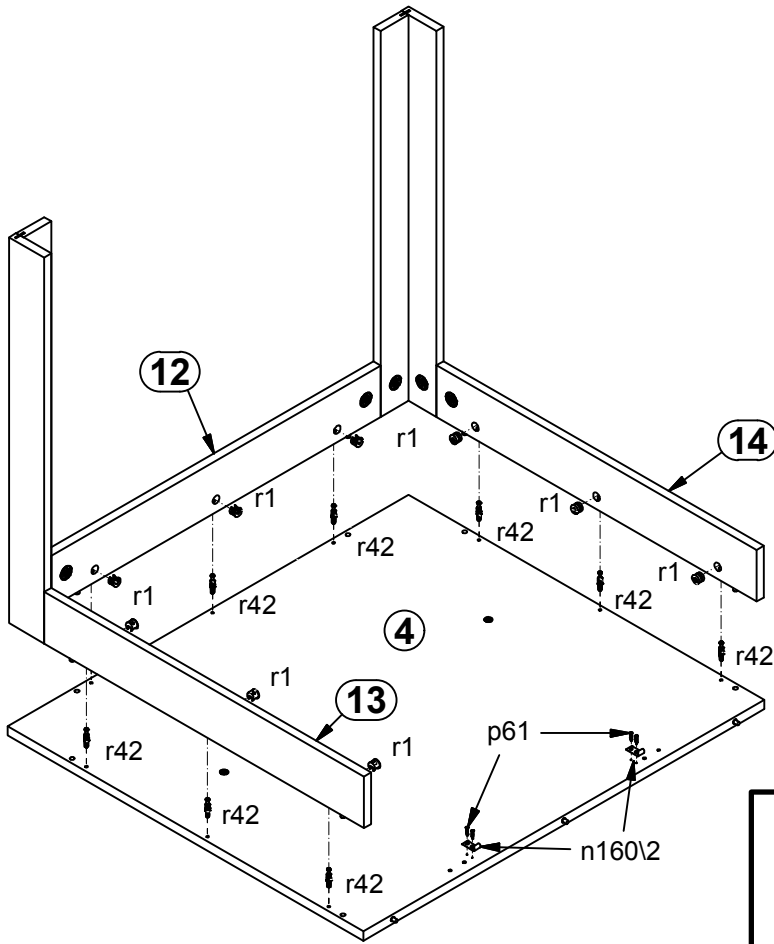
A	B	C	D	
1	D09040-1001	750	79	2/2
2	D09040-1002	750	79	2/2
3	D09047-101	750	60	2/2
4	D09047-201	900	798	1/2
5	D09047-202	900	798	1/2
6	D09047-203	900	476	1/2
7	D09047-204	900	476	1/2
8	D09047-401	1439	100	2/2
9	D09047-402	743	100	2/2
10	D09047-403	811	160	2/2
11	D09047-404	1507	142	2/2
12	D09040-4009	739	100	2/2
13	D09040-4010	718	100	2/2
14	D09040-4011	718	100	2/2



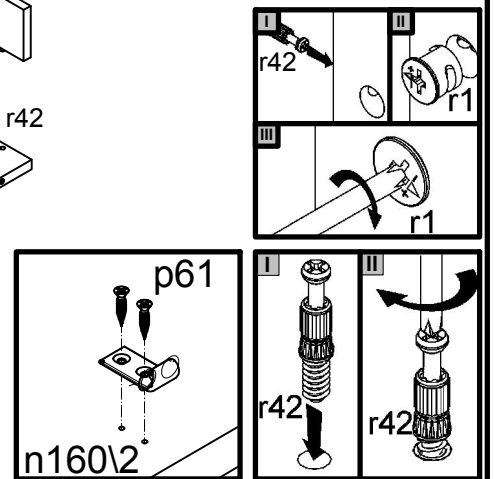
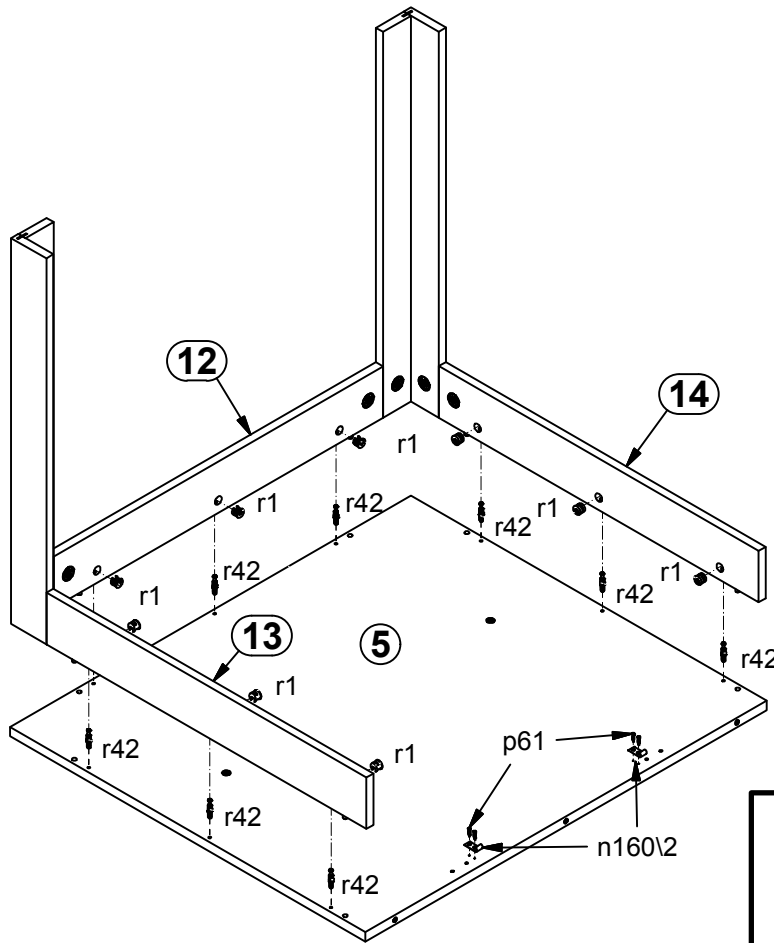
2x Ø6.3x15 mm <b>d4</b>	4x Ø7x50 mm <b>e1</b>	8x Ø6x13 mm <b>e3</b>	28x Ø8x30 mm <b>f1</b>	32x Ø8x50 mm <b>f6</b>	4x M6x25mm <b>j189</b>	16x <b>k1</b>	8x <b>n160\1</b>	8x <b>n160\2</b>
4x 50x27x20 mm <b>n230</b>	32x Ø3.5x16 mm <b>p61</b>	30x Ø15x12 mm #16 <b>r1</b>	30x 20/11 <b>r42</b>	24x Ø25x2mm#16 <b>r73</b>	8x <b>r74</b>	8x <b>r75</b>	1x 4 mm <b>z1</b>	1x 5 mm <b>z18</b>

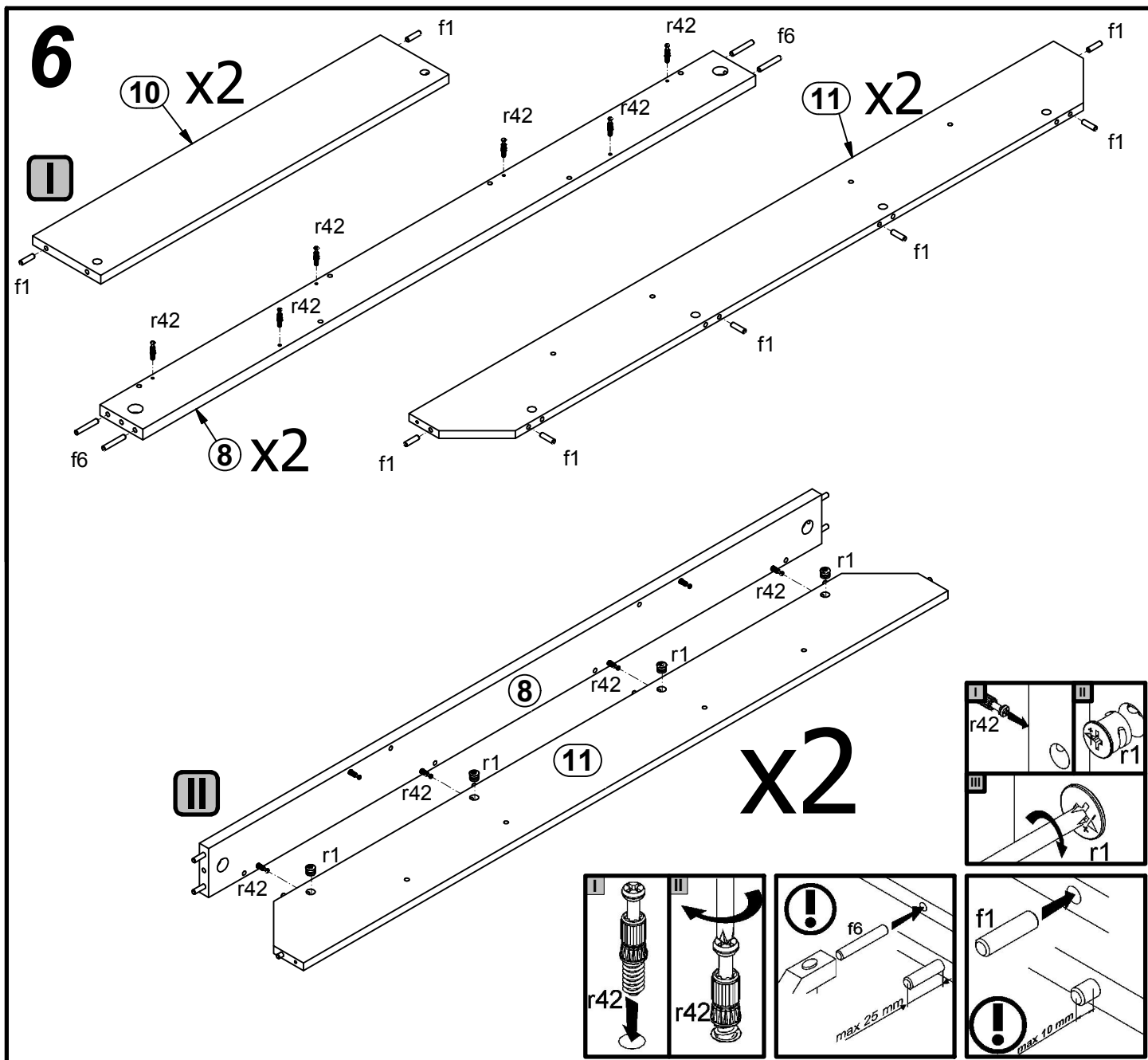
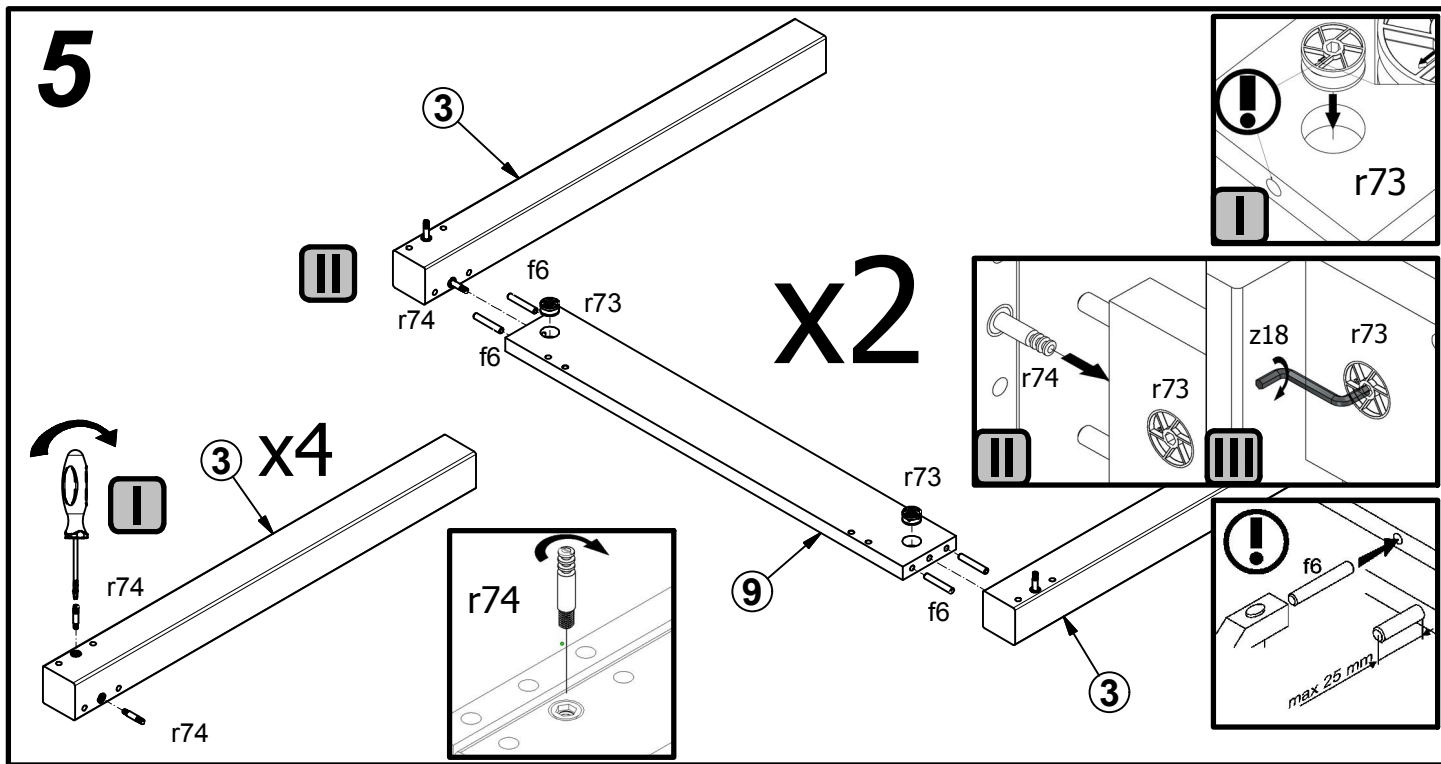


# 3

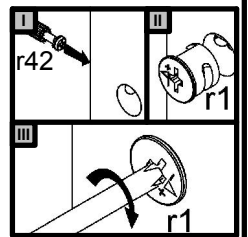
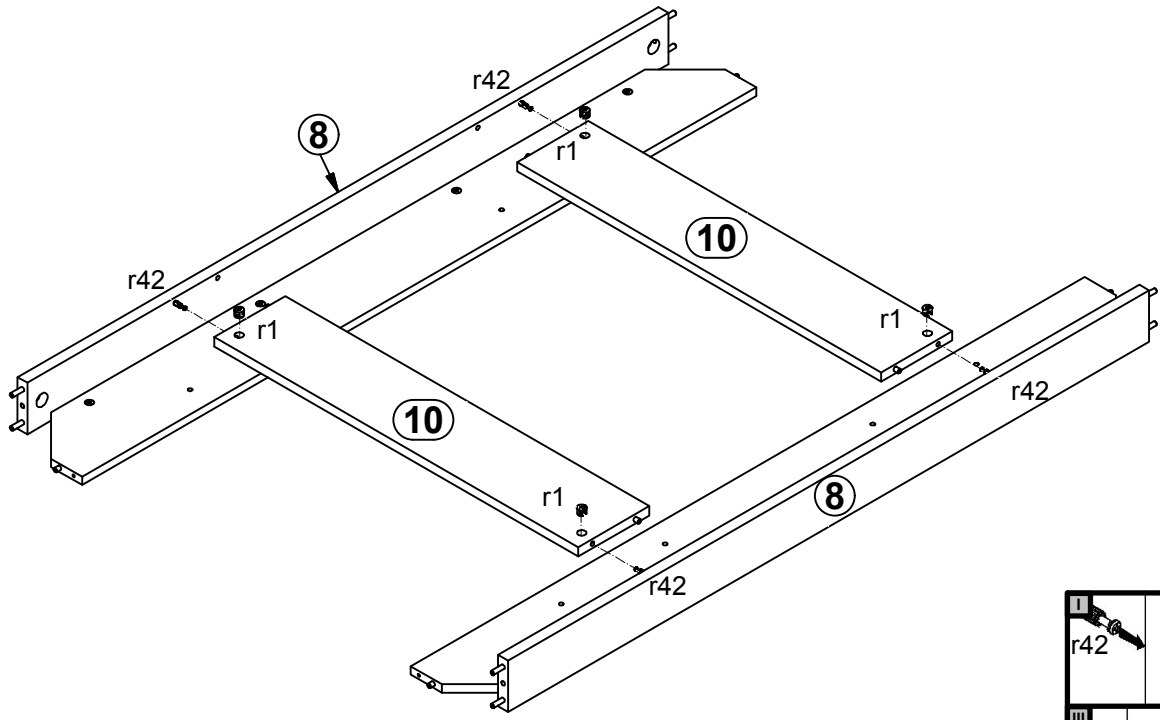


# 4

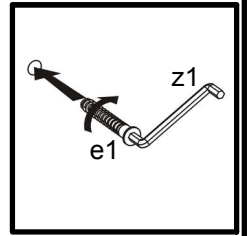
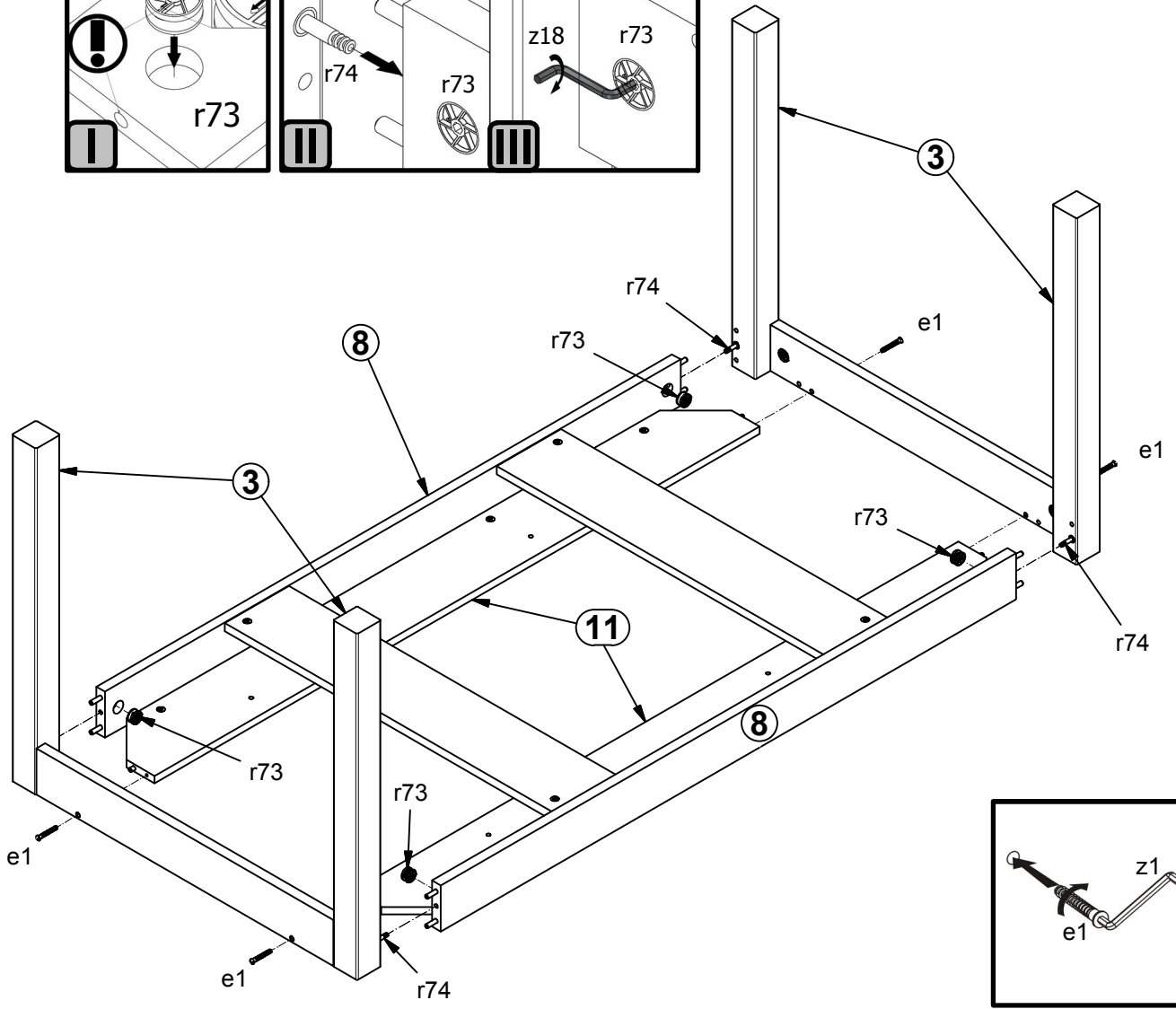
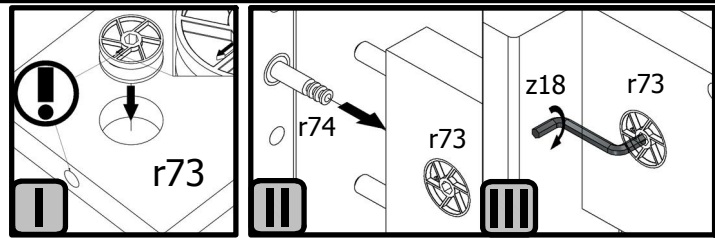




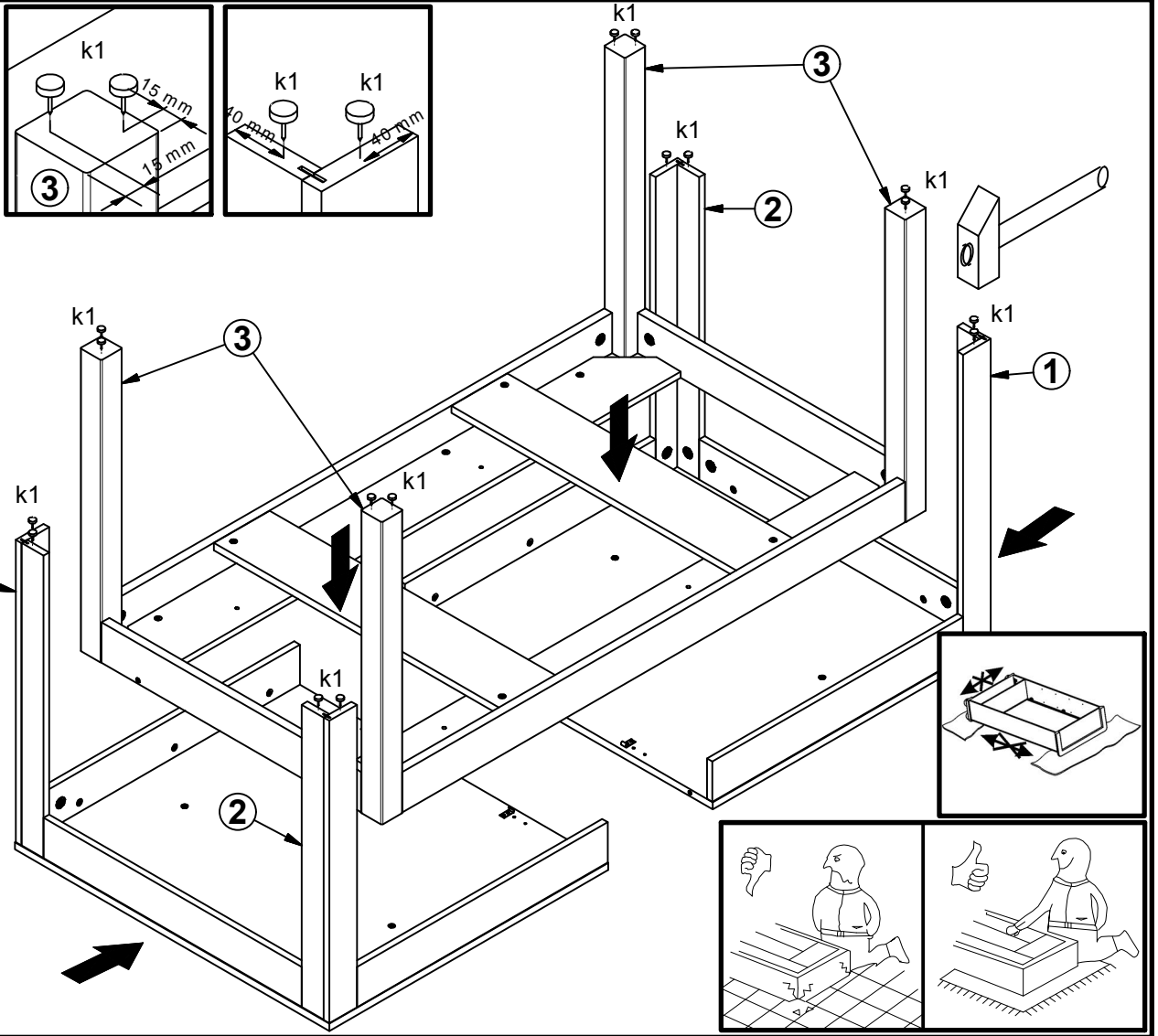
# 7



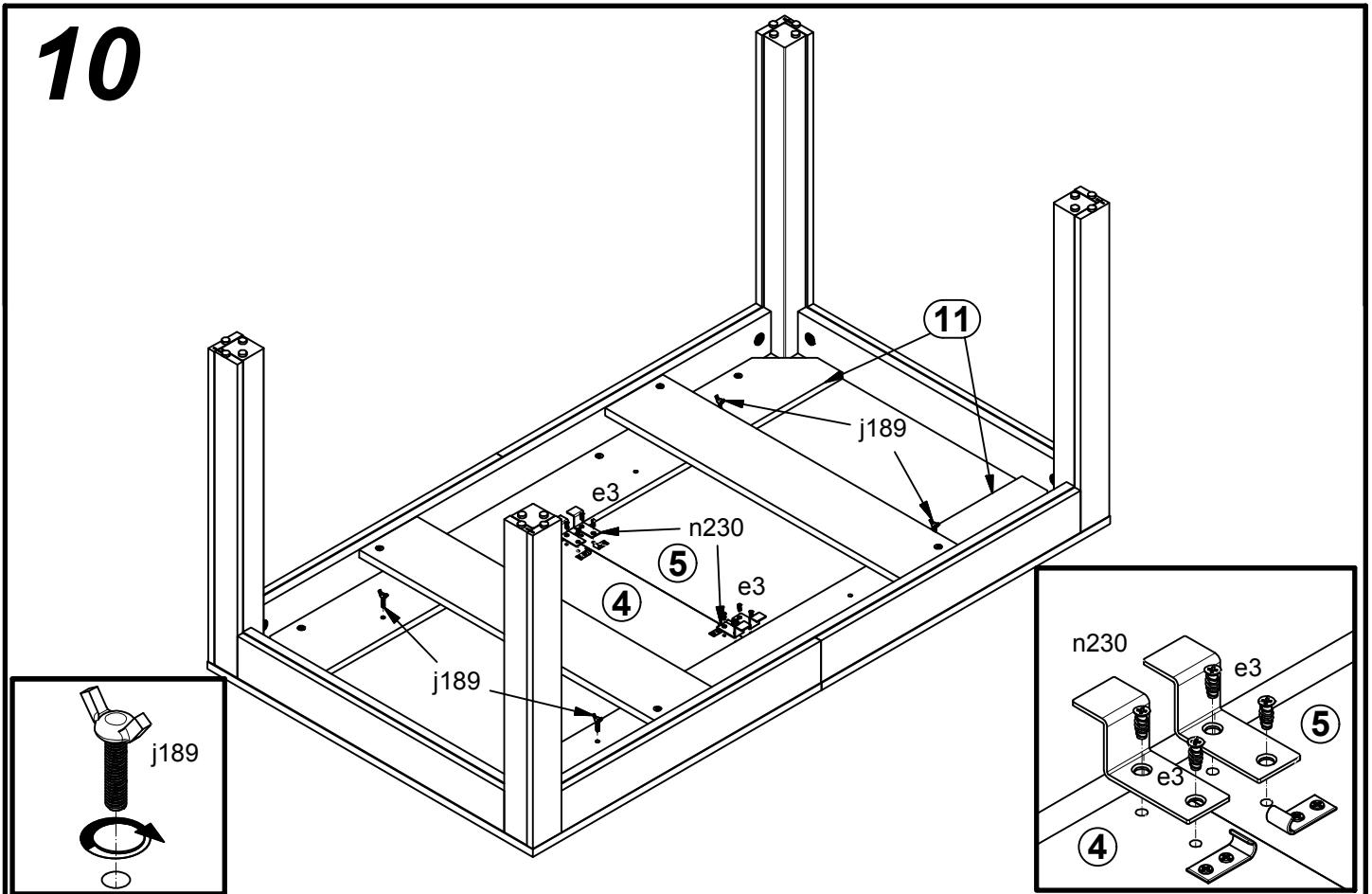
# 8



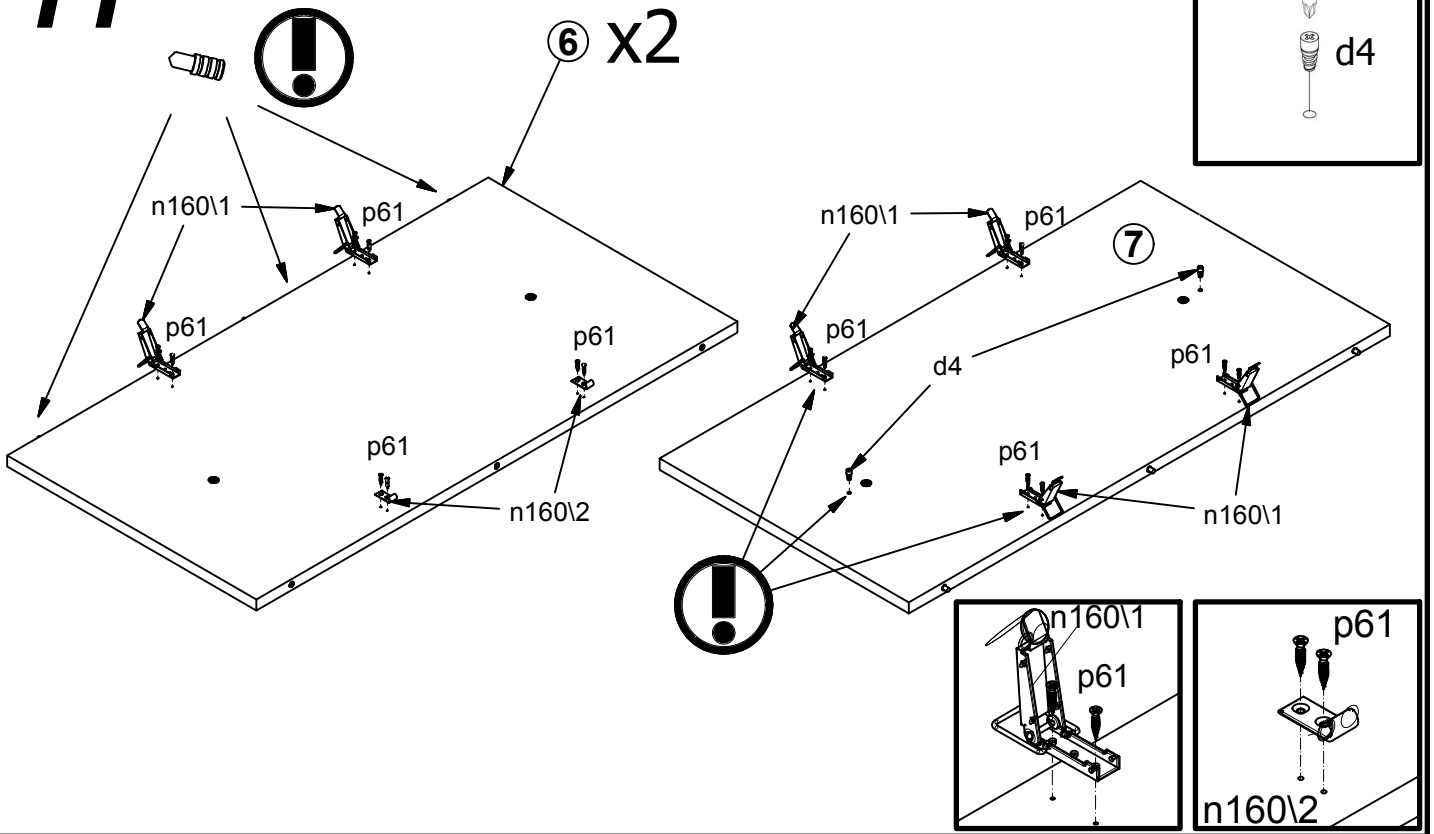
# 9



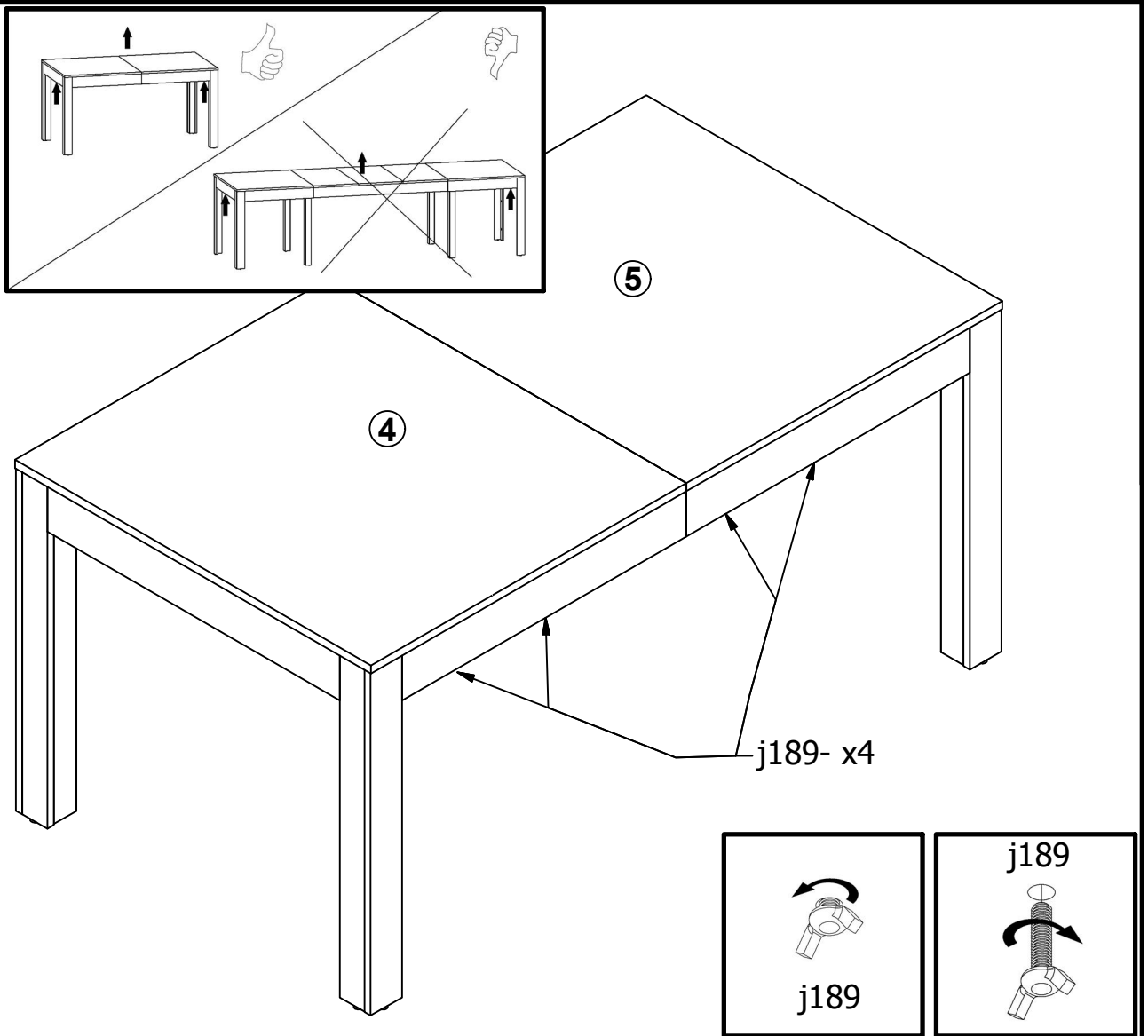
# 10



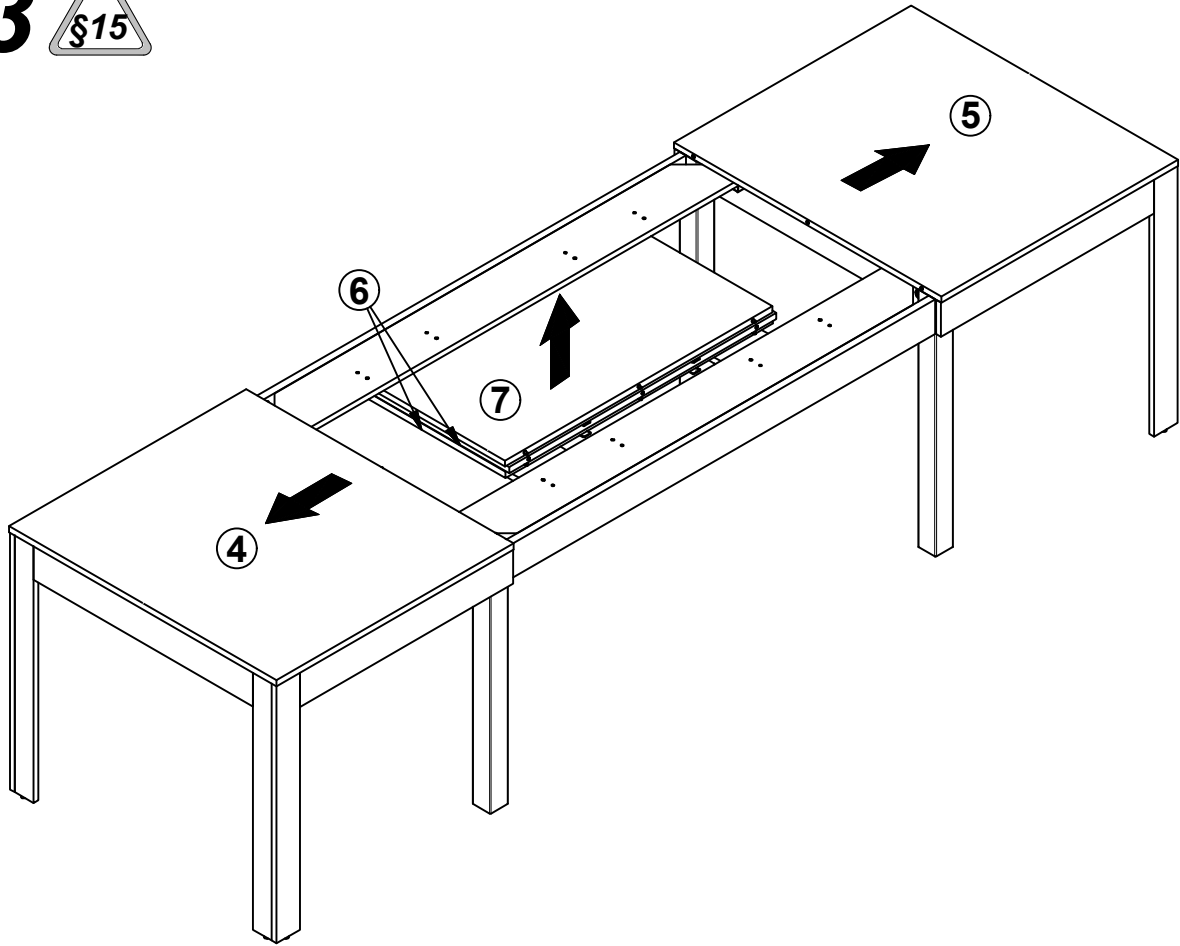
# 11



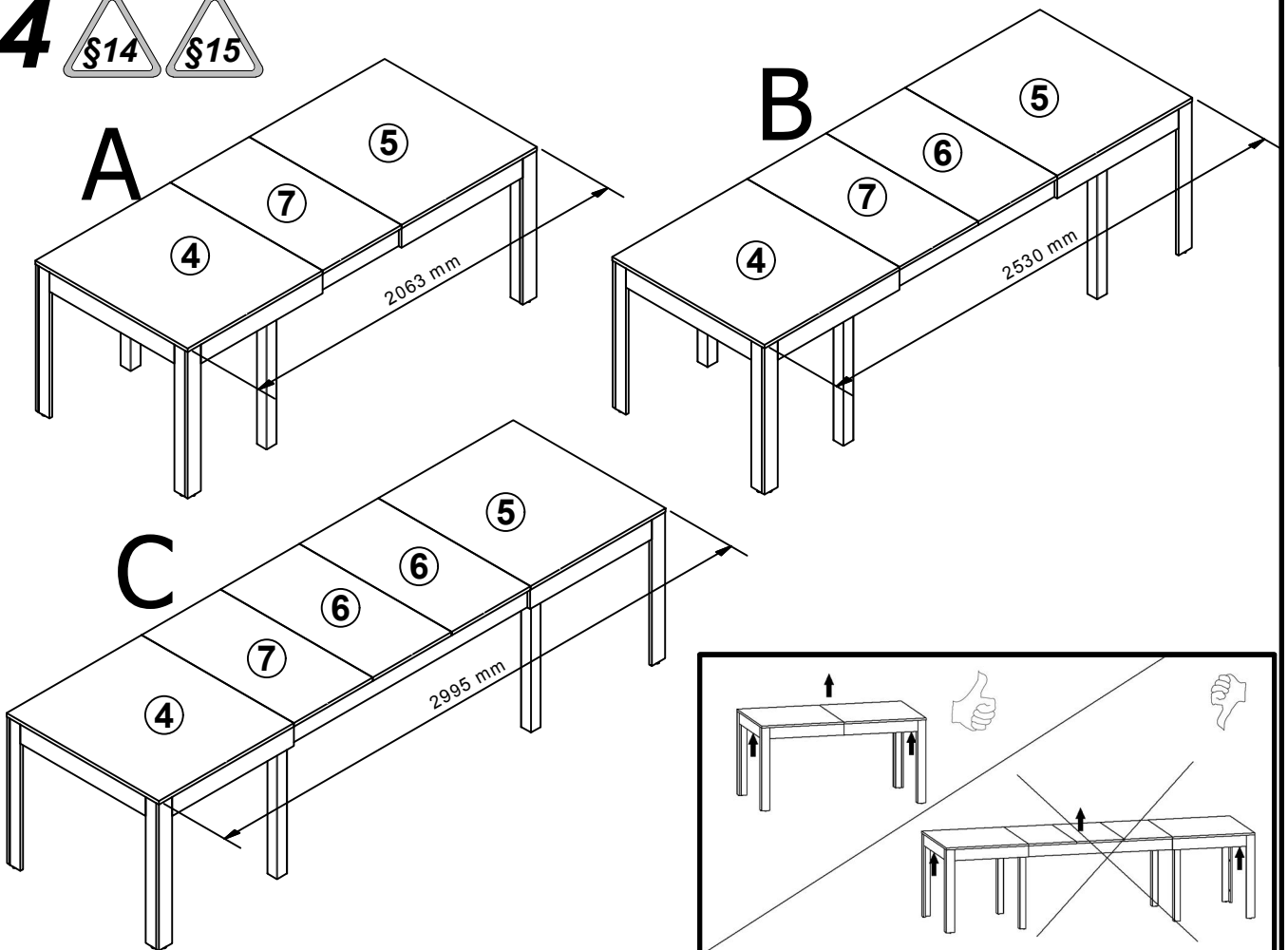
# 12



# 13

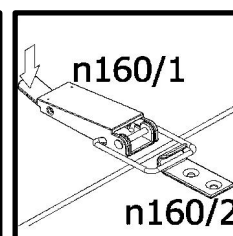
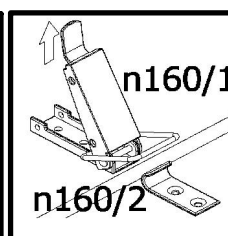
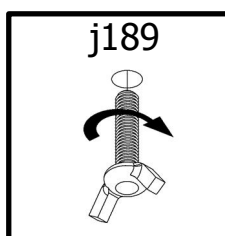
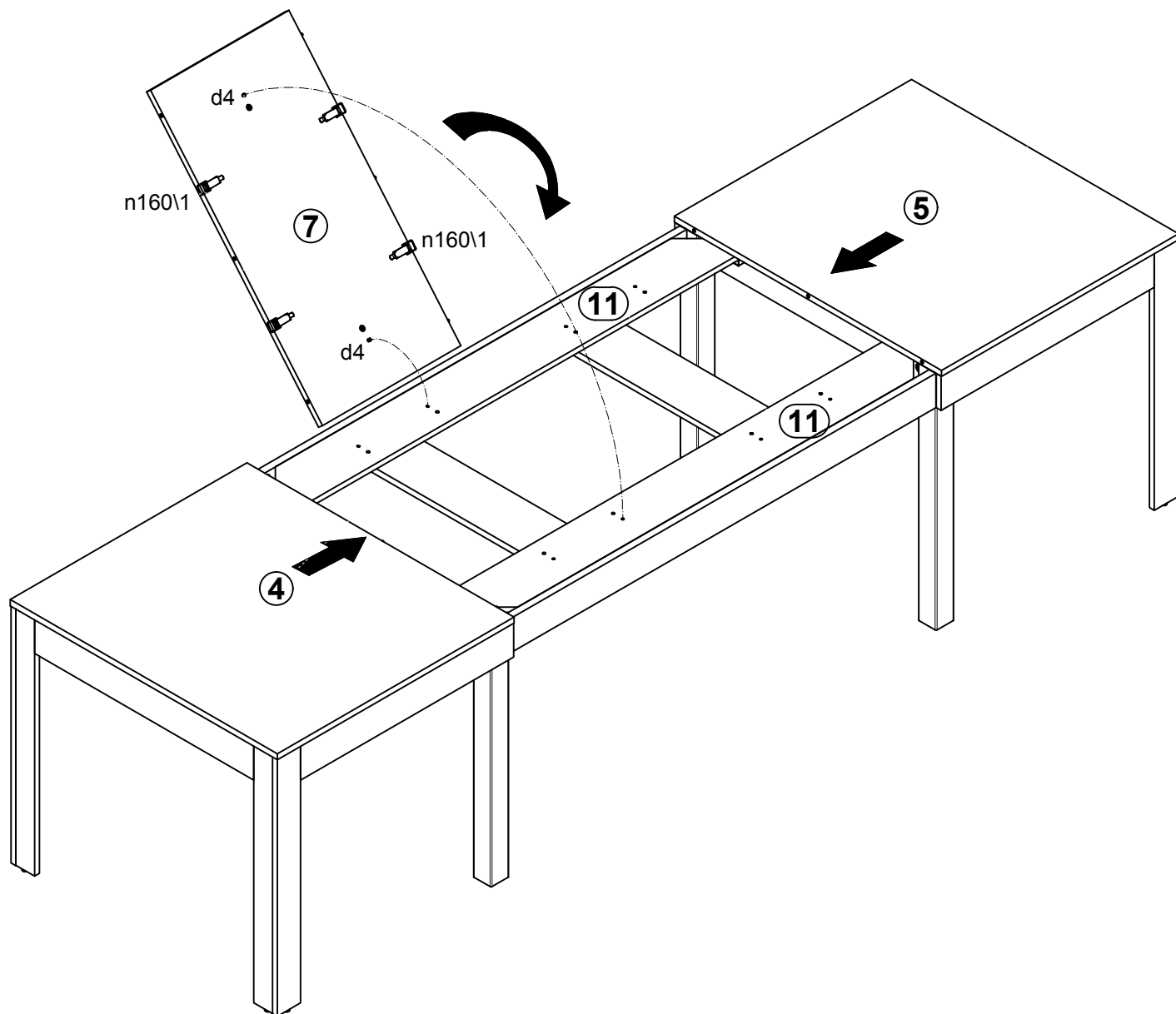
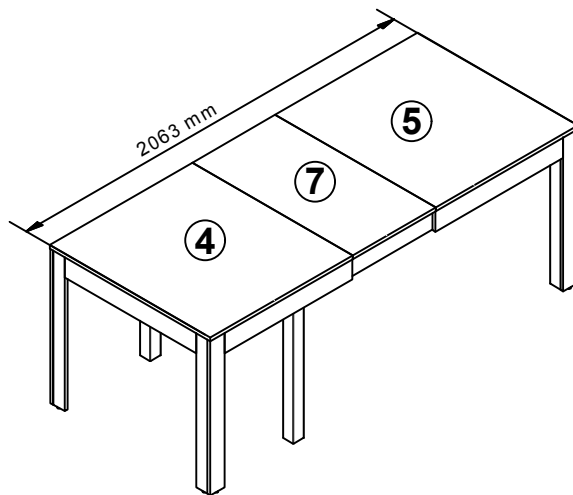


# 14

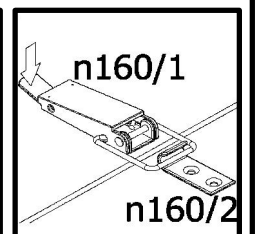
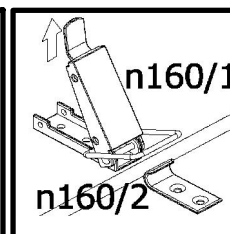
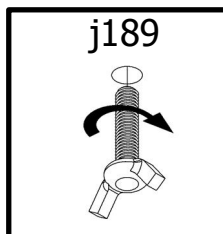
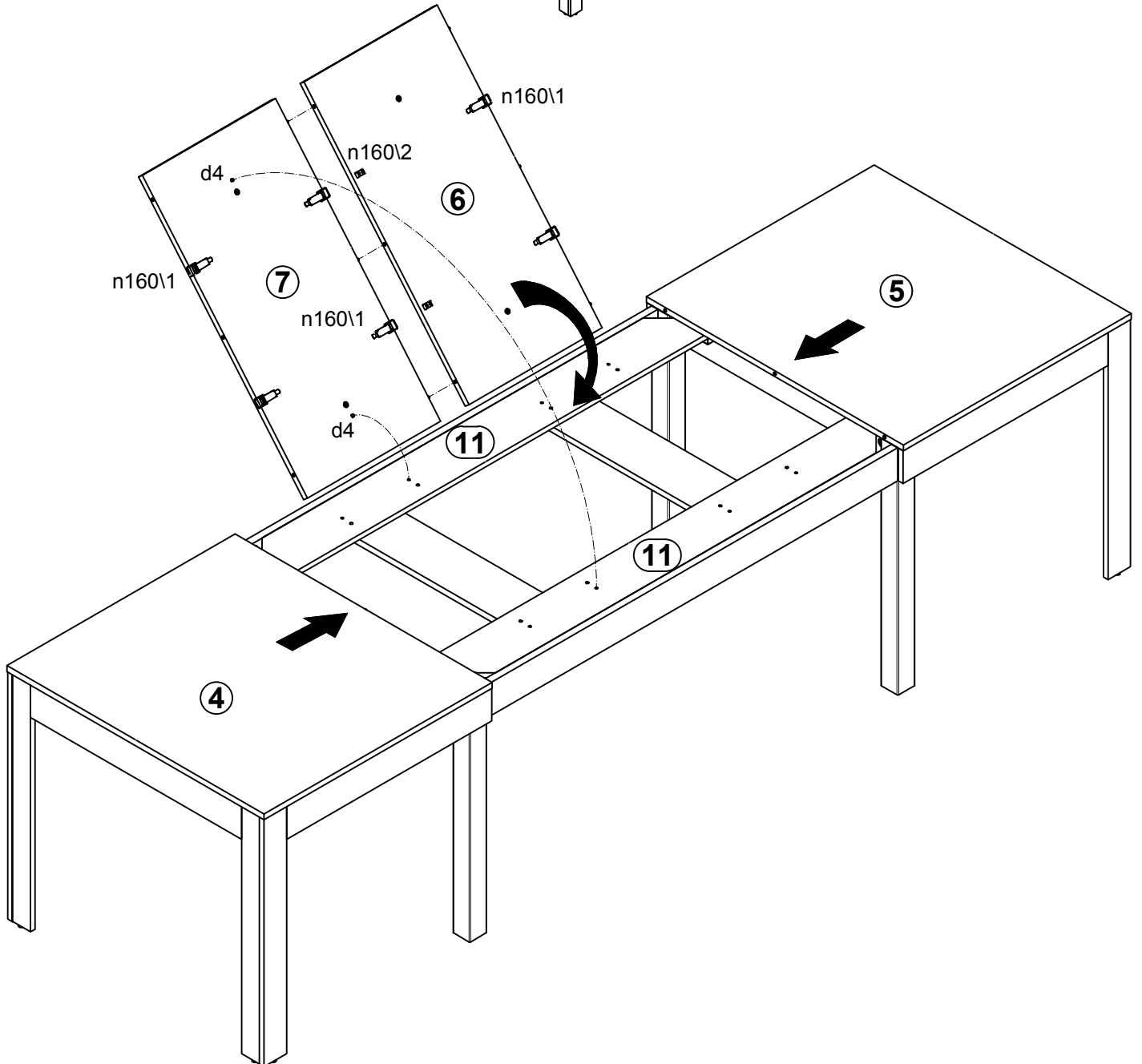
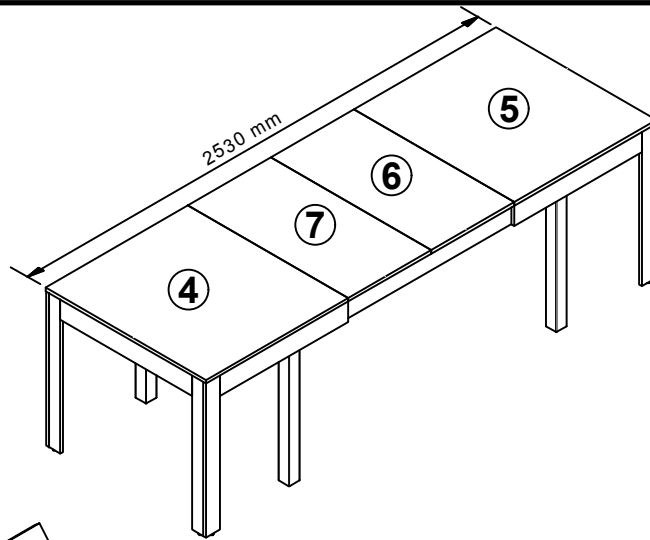




# 14 A



# 14 B



# 14 C

