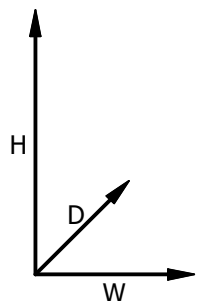
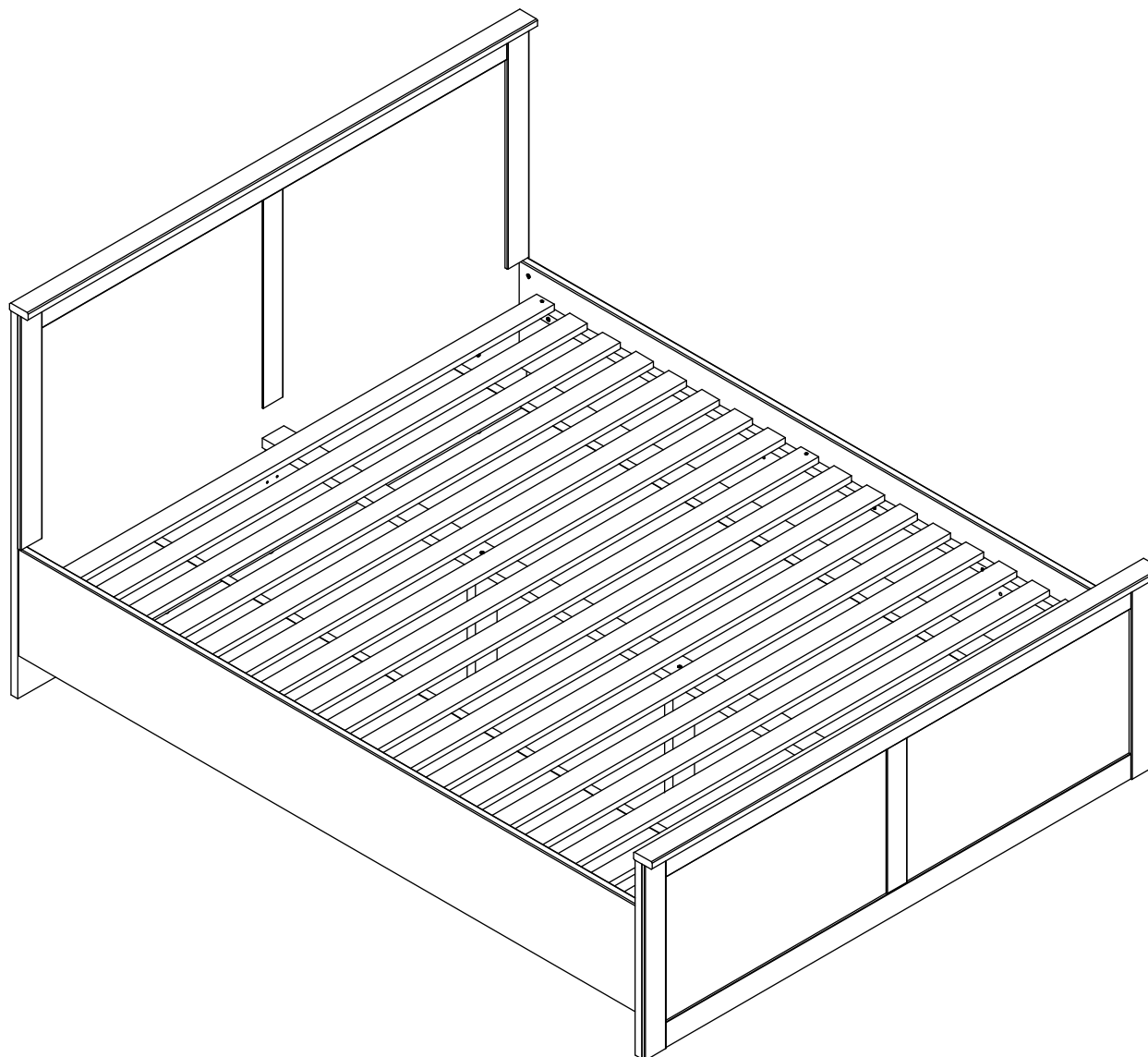
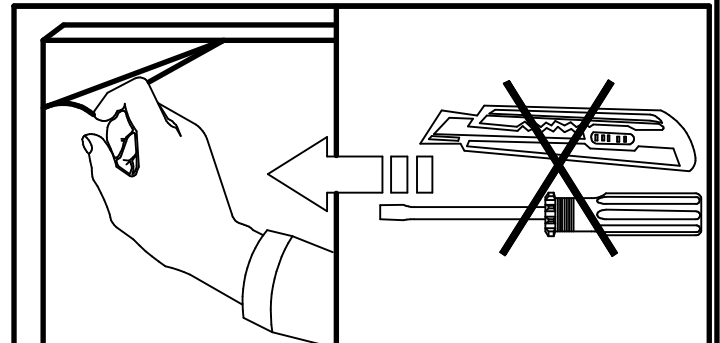
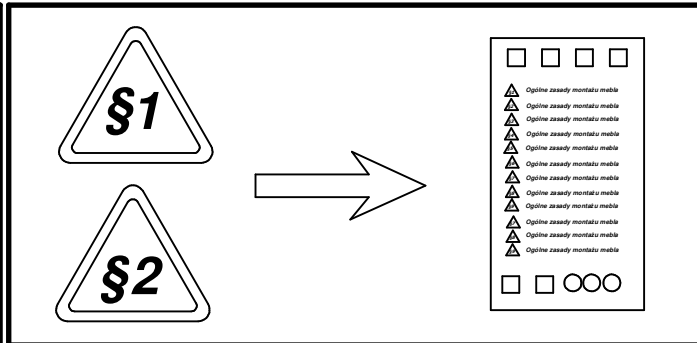
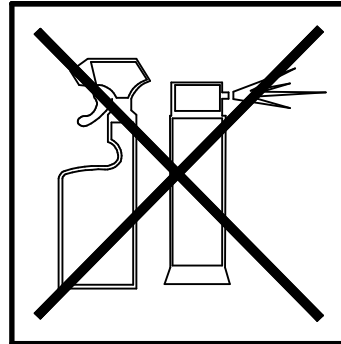
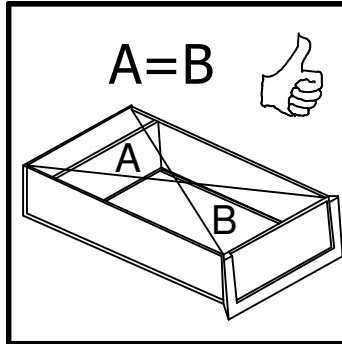
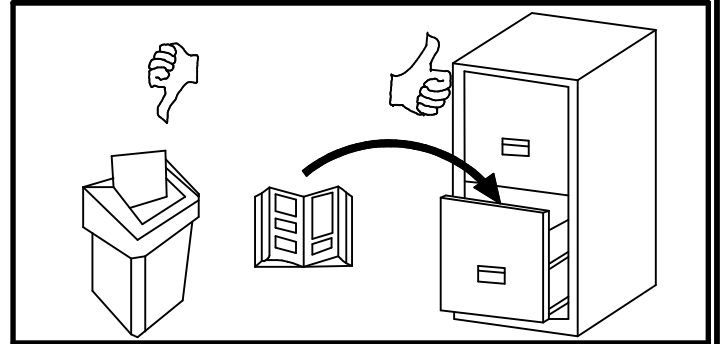
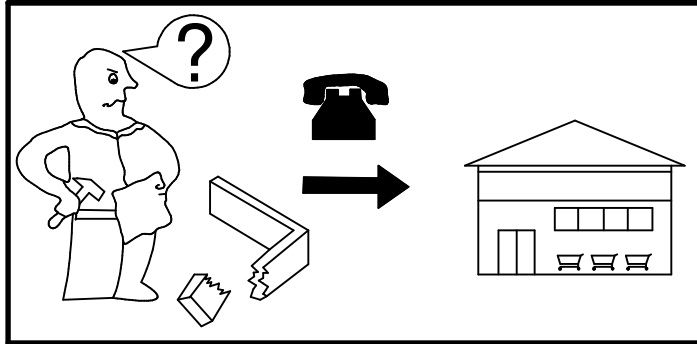
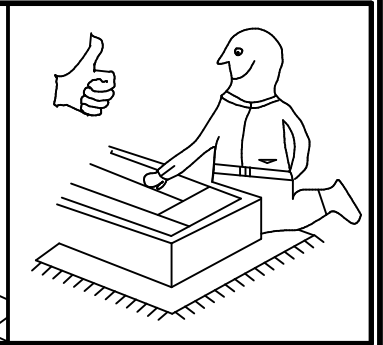
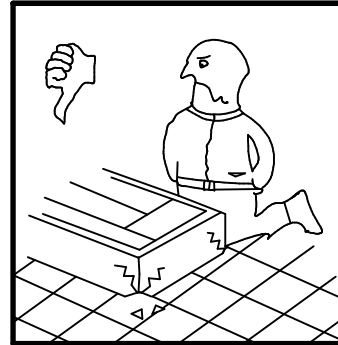
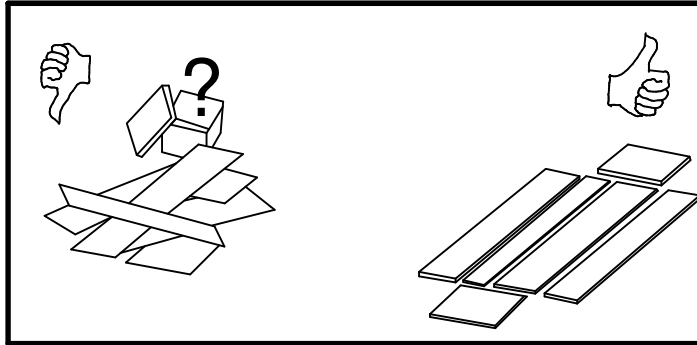
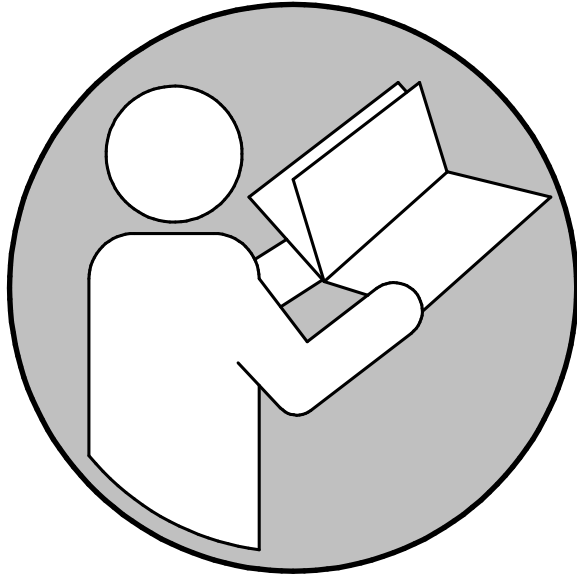


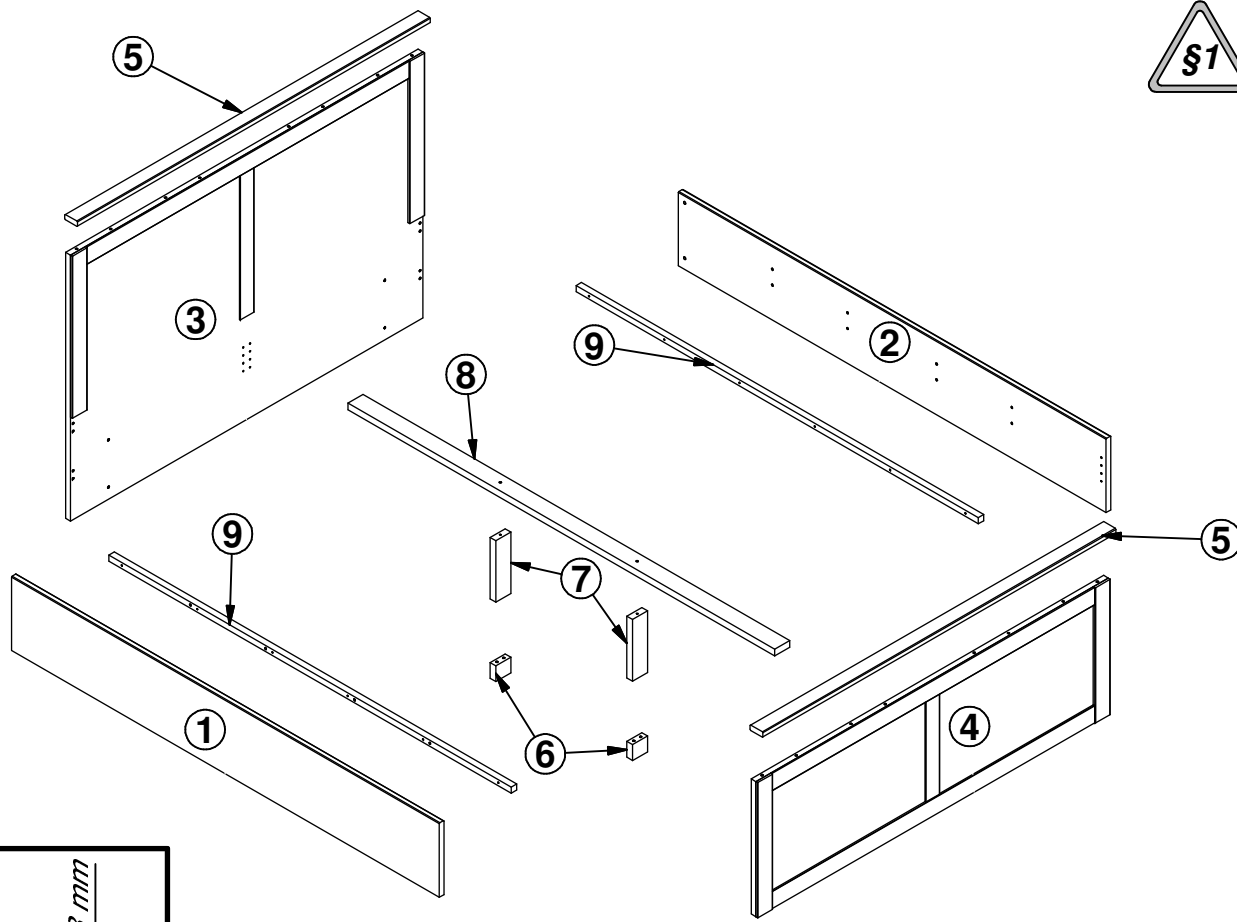
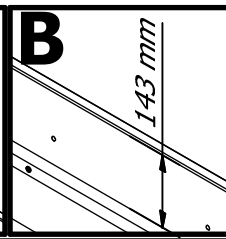
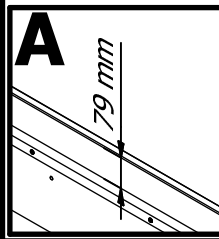
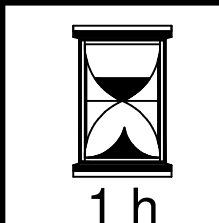
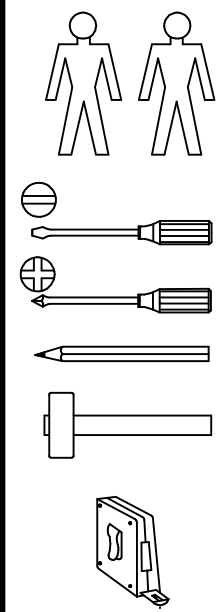
LOKSA

S455-LOZ/160/A

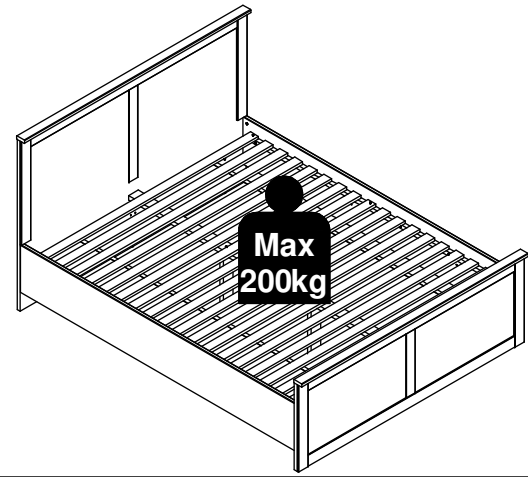


H - 1105 mm
W - 2082 mm
D - 1650 mm





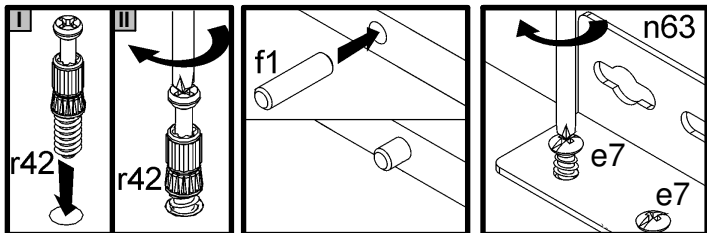
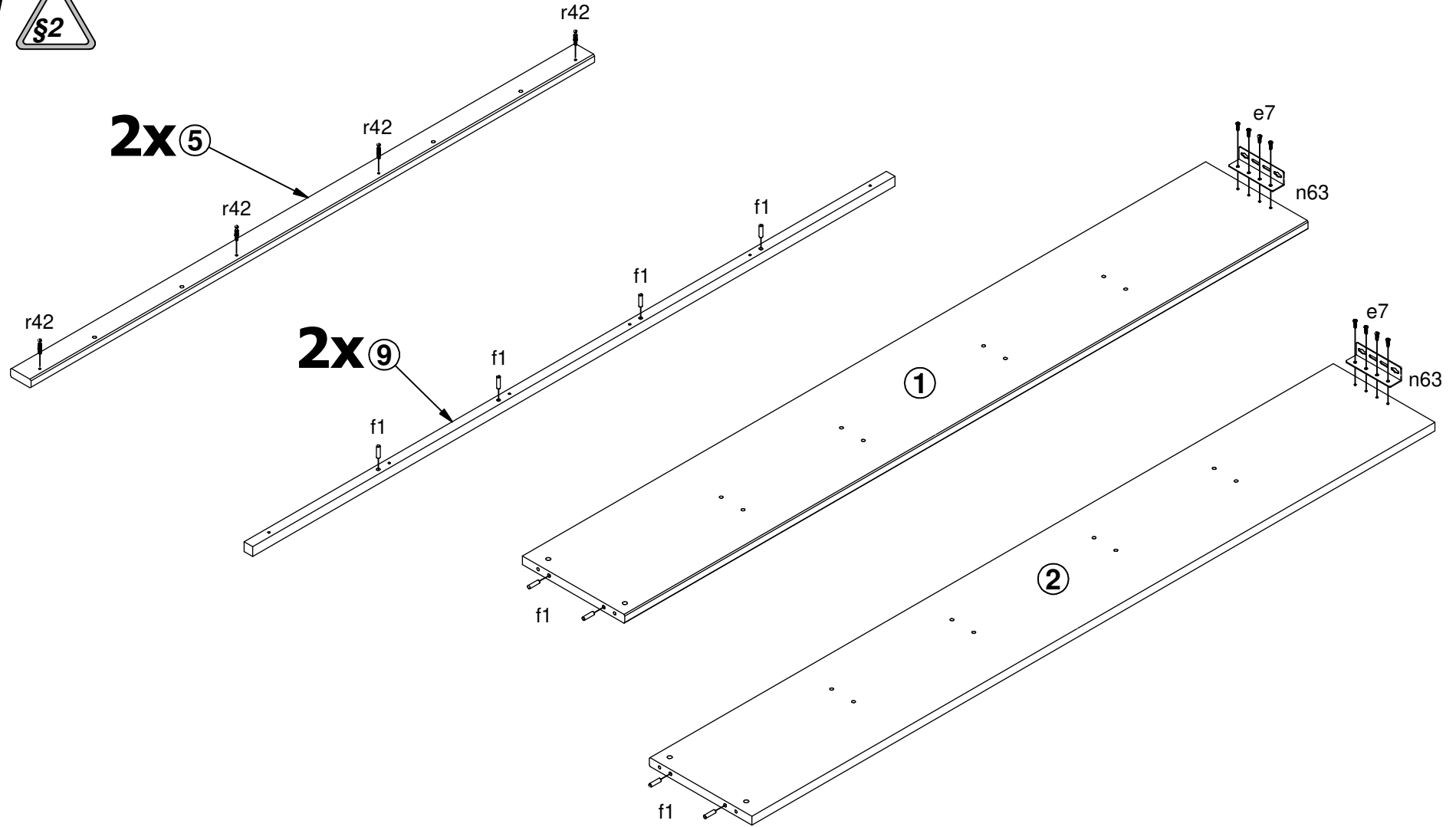
A	B	C (mm)			D
1	S455-1042	2000	300	22	3/3
2	S455-1043	2000	300	22	3/3
3	S455-4003	1648	1078	31	1/3
4	S455-4004	1648	548	31	2/3
5	S455-5047	1650	60	22	2/3
6	ZZ1-431	64	70	27	3/3
7	ZZ1-461	250	70	27	3/3
8	ZZ1-718	1995	70	27	3/3
9	ZZ1-747	1880	25	25	3/3







D
3/3

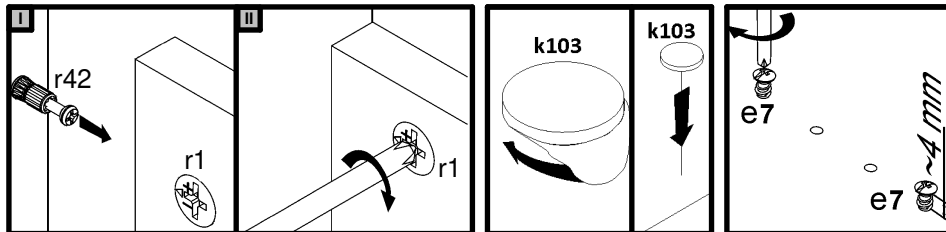
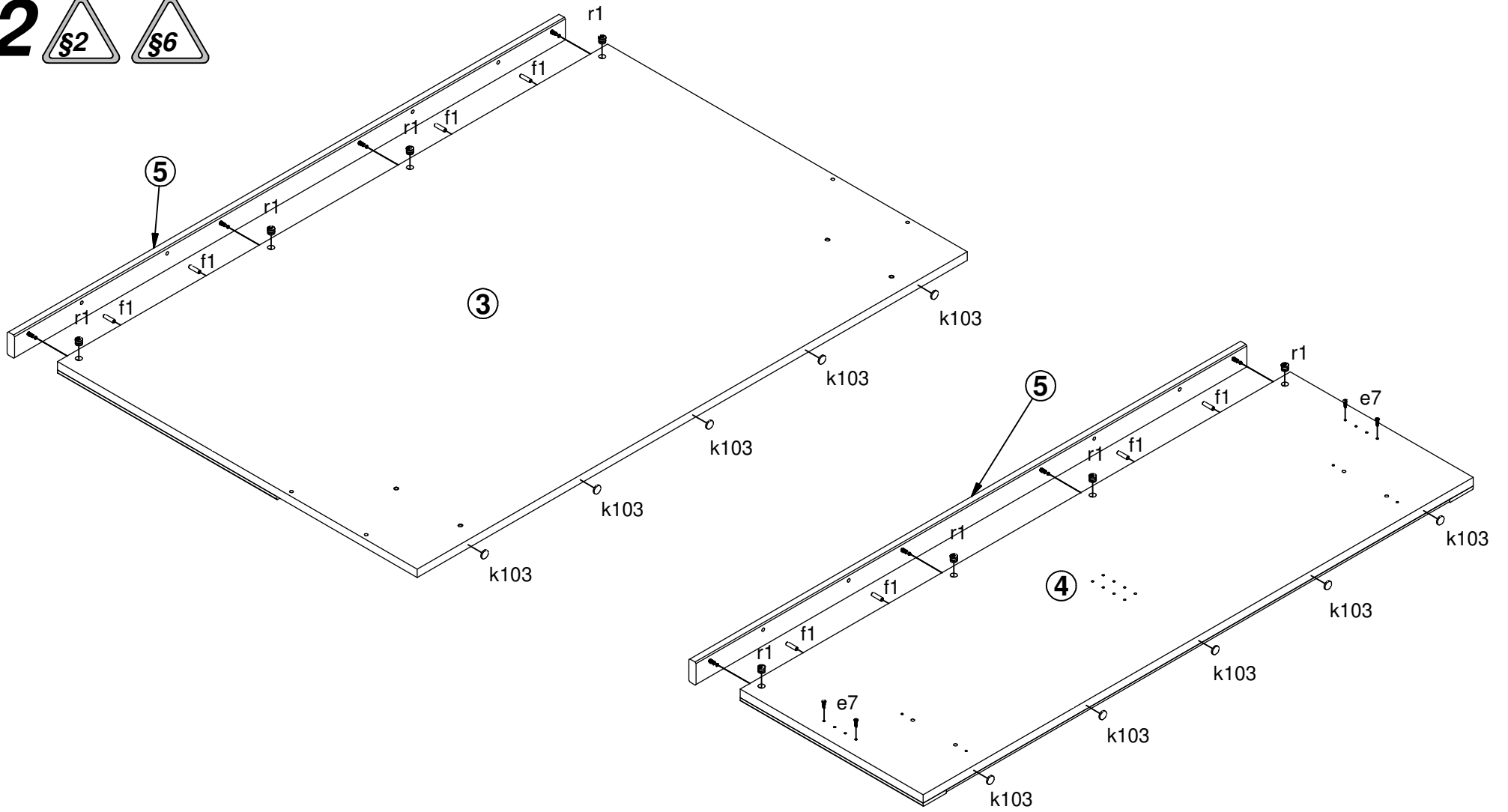
16x Ø6.3x16 mm e7	8x Ø6x13 mm e3	2x Ø7x60 mm e8	20x Ø8x30 mm f1	4x Ø8x50 mm f6	4x M6x65 mm j132	10x Ø20x3 mm k103	2x 70x50x 45.2 mm n111	2x 130x34x34/2 mm n63	12x Ø4x40 mm p10	4x Ø3.5x25 mm p16	6x Ø4x35 mm p6	8x Ø15x12 mm #16 r1
8x Ø10x16 mm r42	4x Ø10x16 mm r43	4x Ø20 mm s68	1x 4 mm z1									





1 



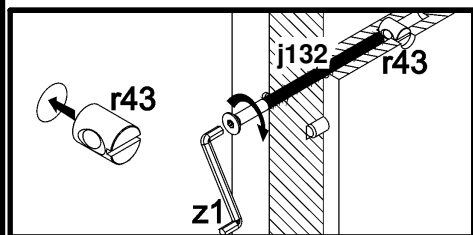
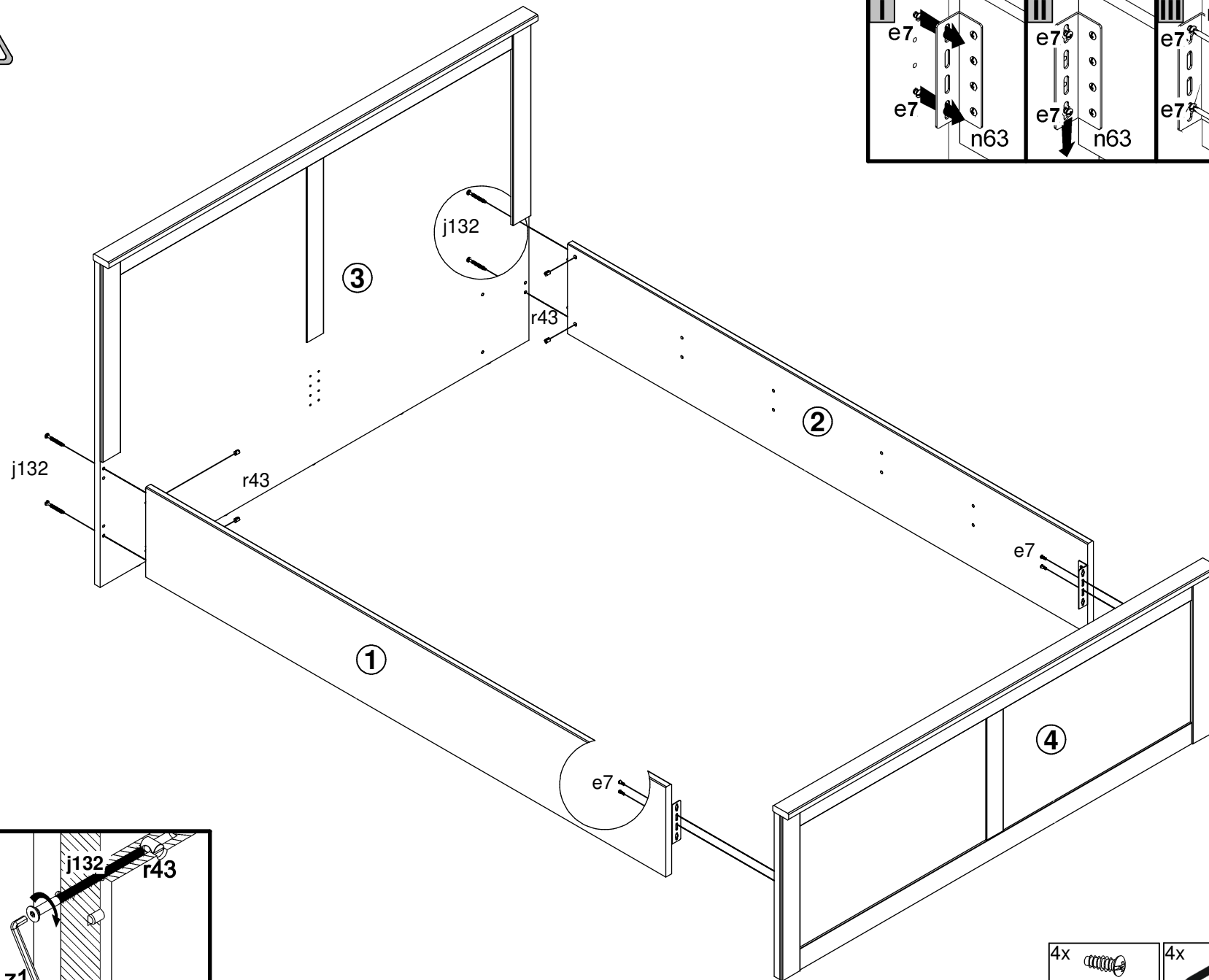
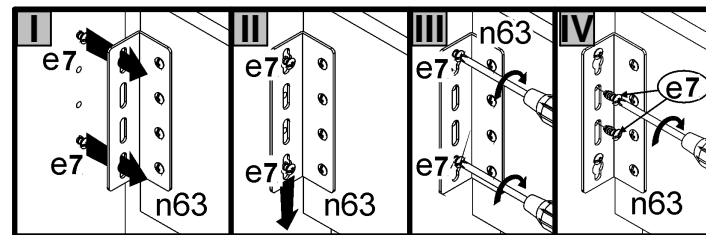
8x Ø6,3x16 mm 	e7 12x Ø8x30 mm 	f1 2x 130x34x34/2 mm 	n63 8x 
---	--	---	--

2  



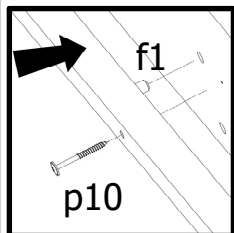
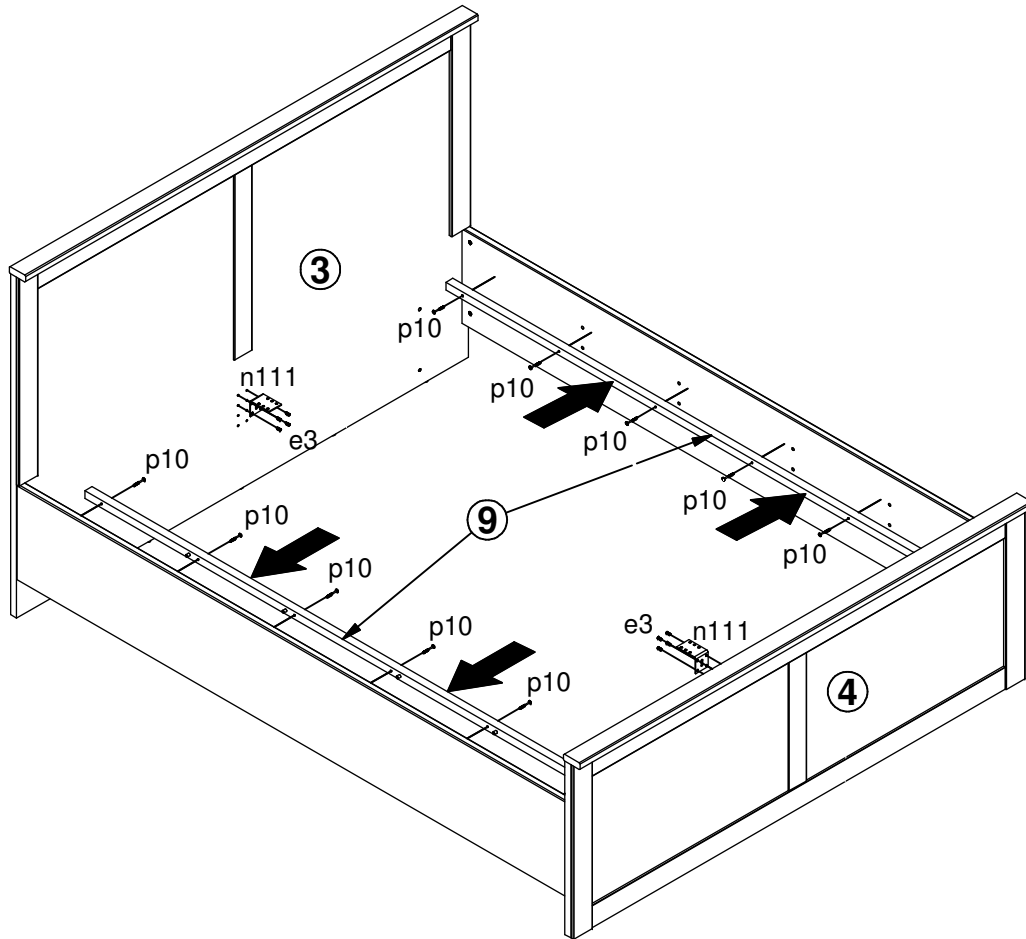
4x  e7 Ø6.3x16 mm	8x  f1 Ø8x30 mm	10x  k103 Ø20x3mm	8x  r1 Ø15x12 mm #16
---	---	---	--

3 



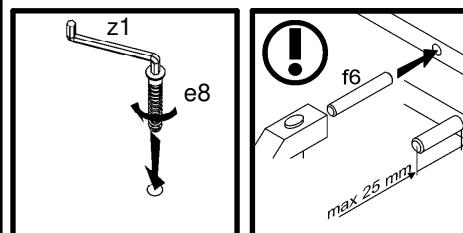
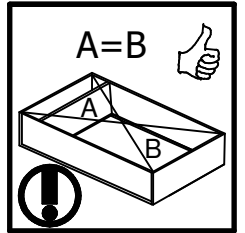
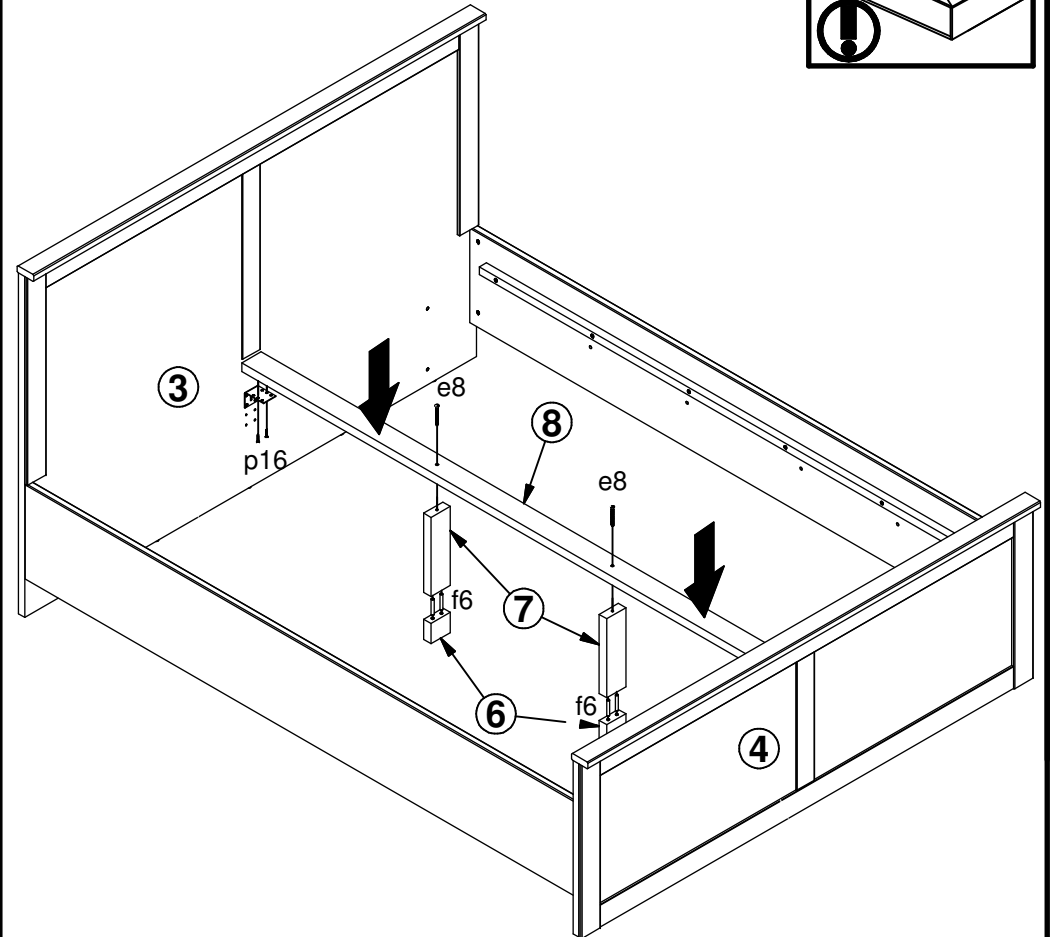
- 4x  $\varnothing 6,3 \times 16 \text{ mm}$ **e7**
- 4x  **M6x65 mm j132**
- 4x  $\varnothing 10 \times 16 \text{ mm}$ **r43**

4A



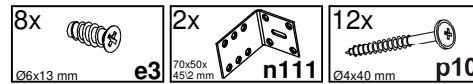
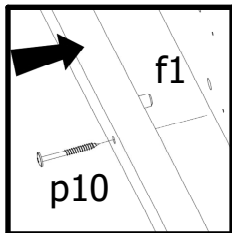
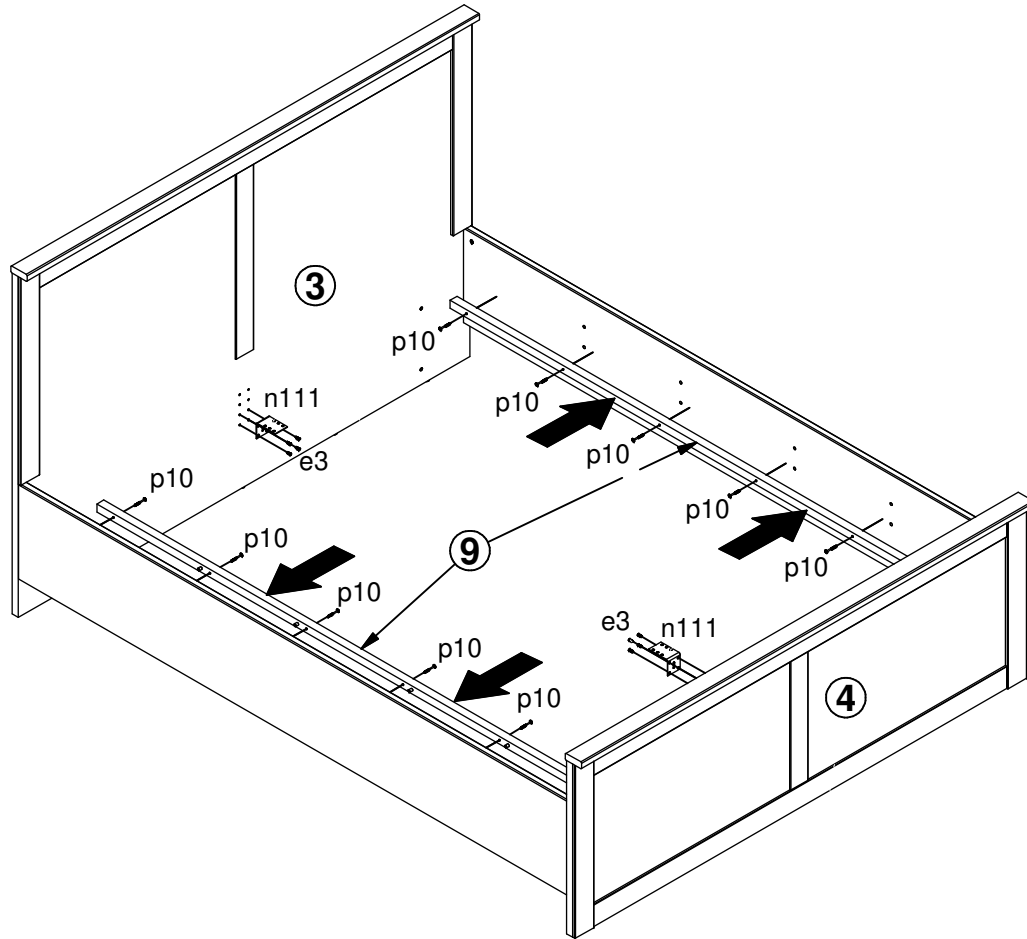
- 8x **e3**
Ø6x13 mm
- 2x **n111**
70x50x45/2 mm
- 12x **p10**
Ø4x40 mm

5A

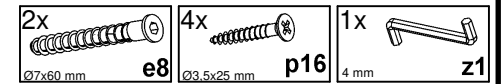
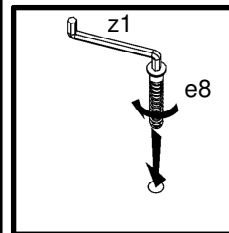
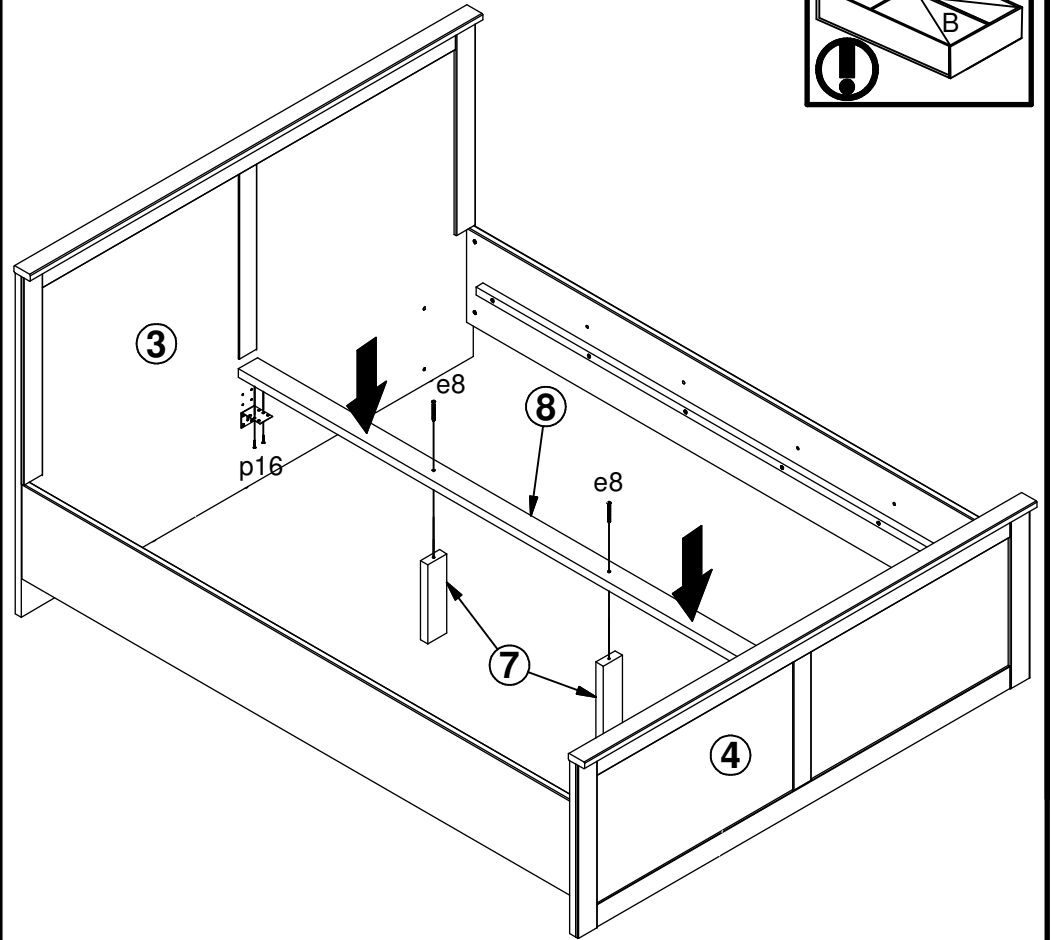
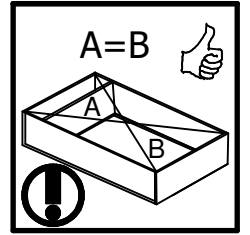


- 2x **e8**
Ø7x60 mm
- 4x **f6**
Ø8x50 mm
- 4x **p16**
Ø3.5x25 mm
- 1x **z1**
4 mm

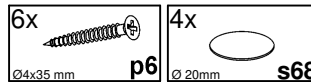
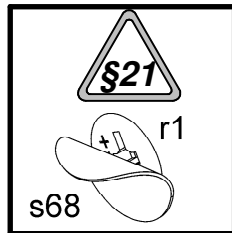
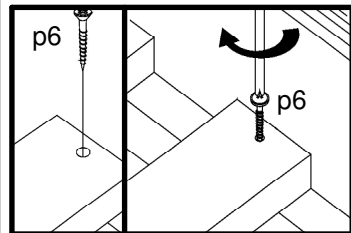
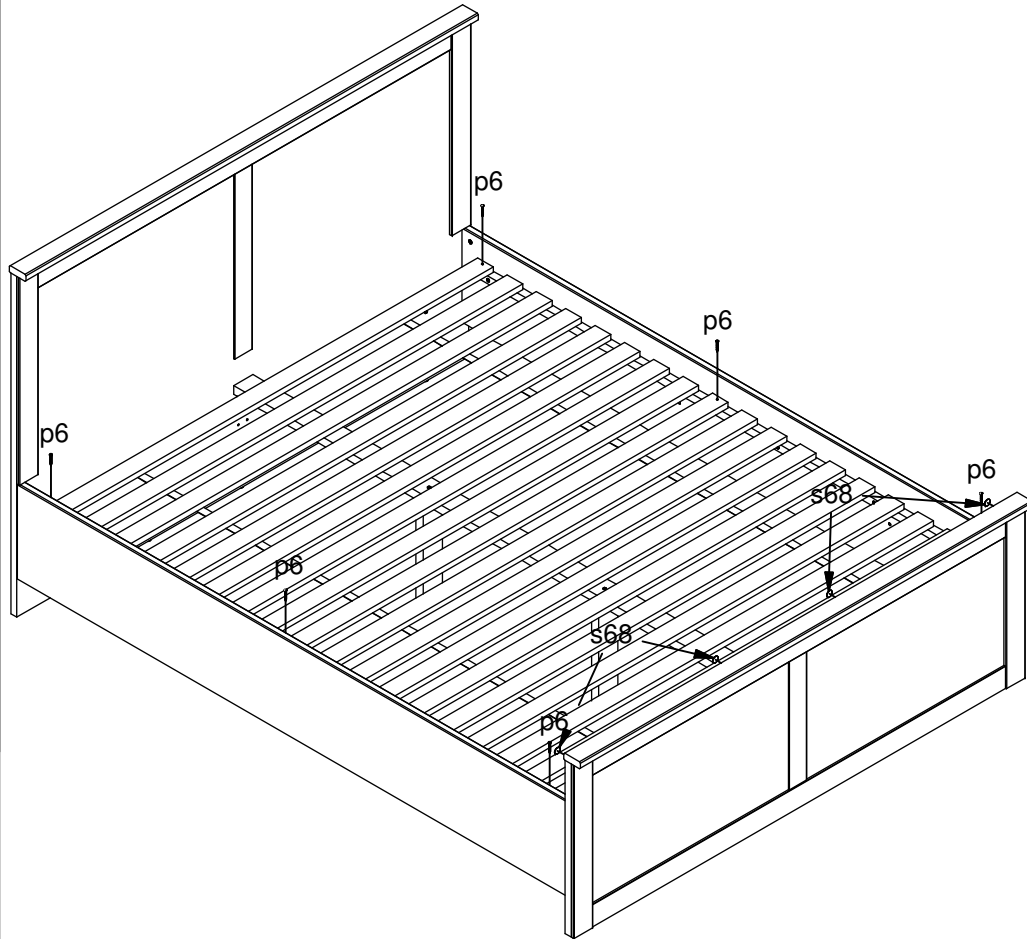
6B



7B



8A



8B

