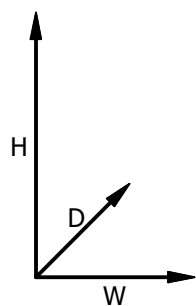
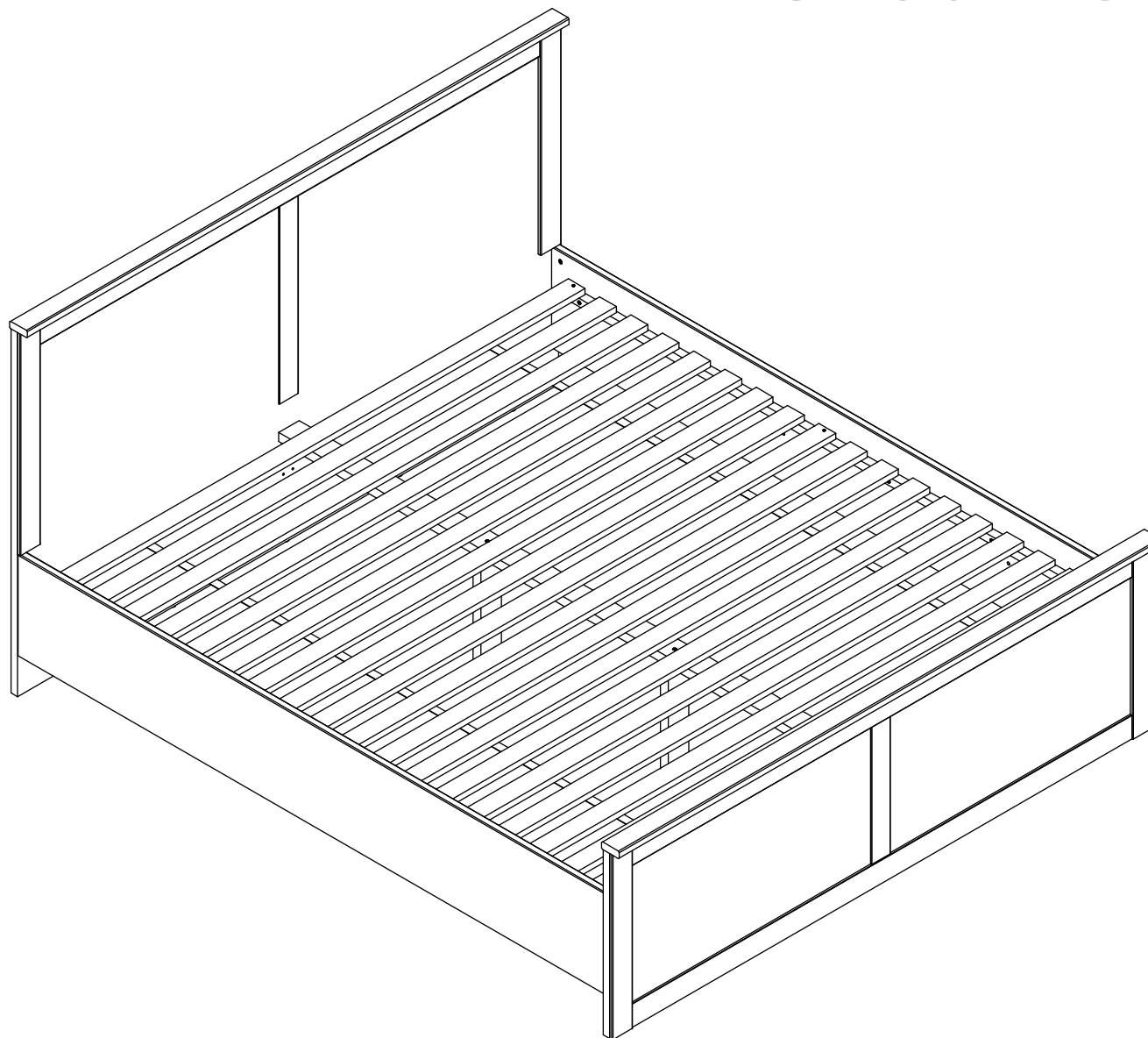
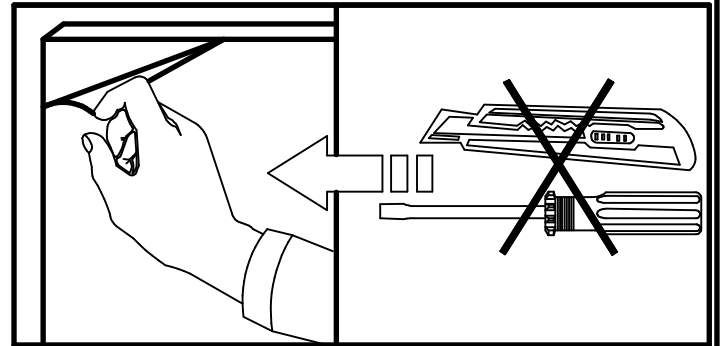
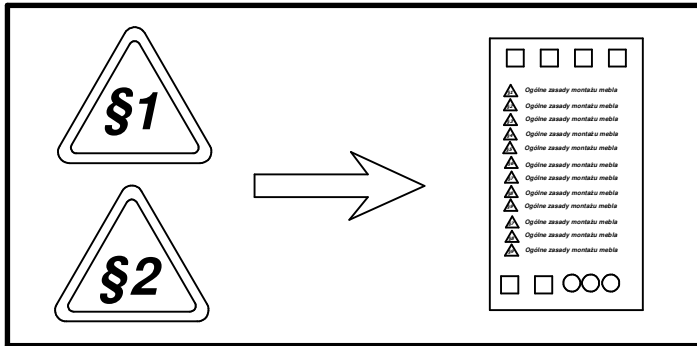
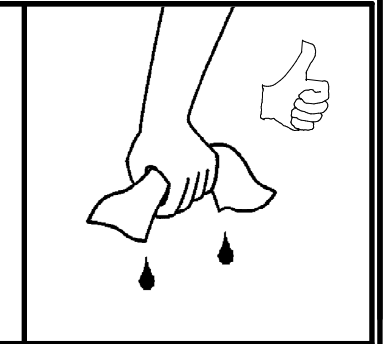
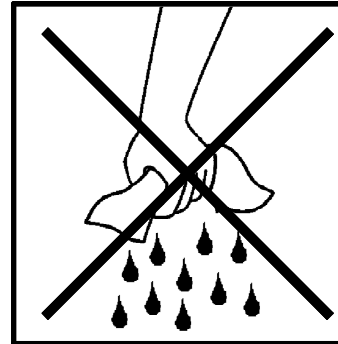
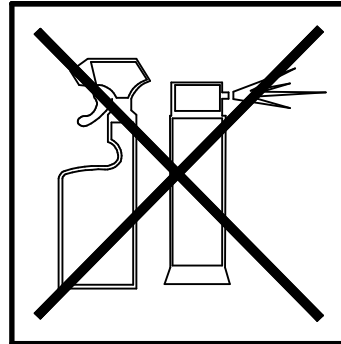
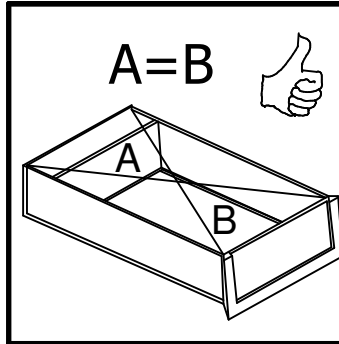
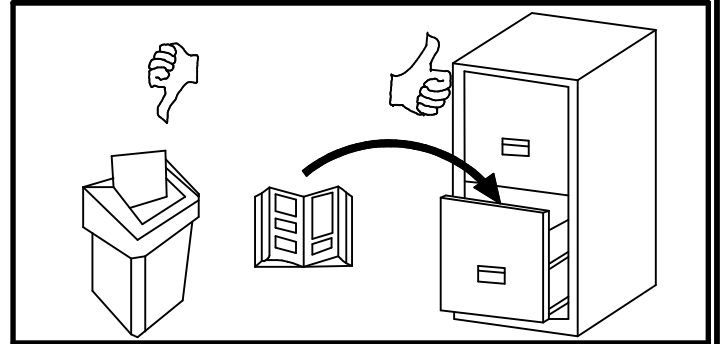
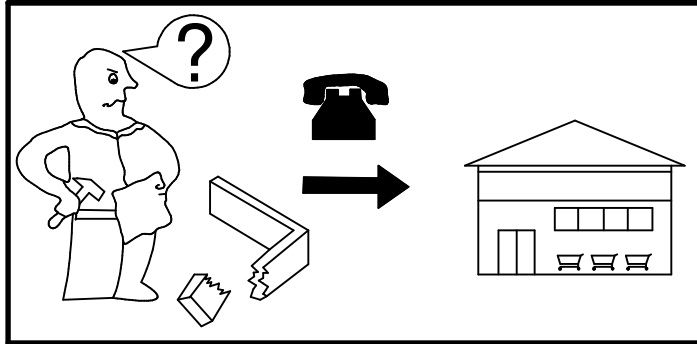
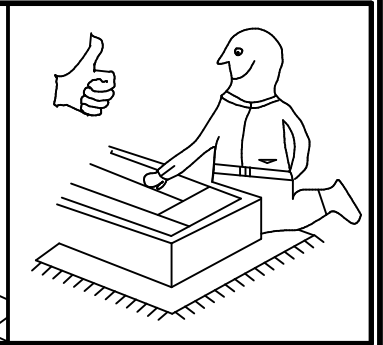
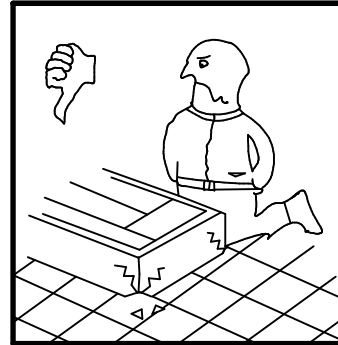
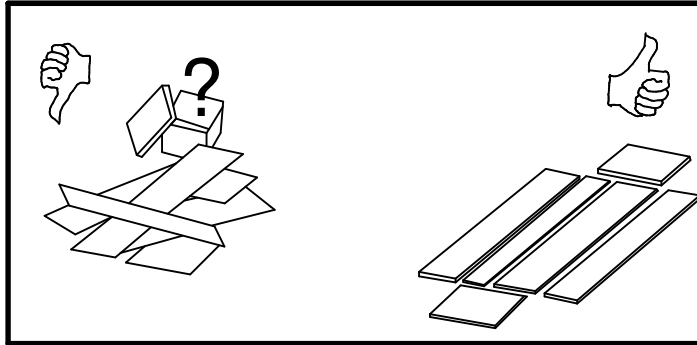
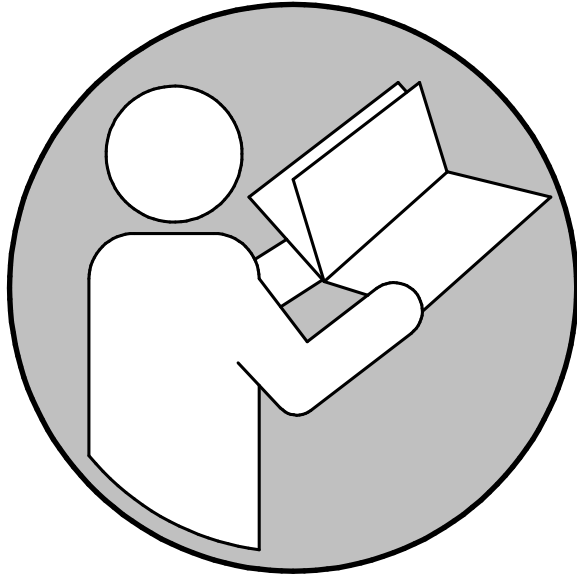


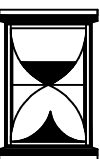
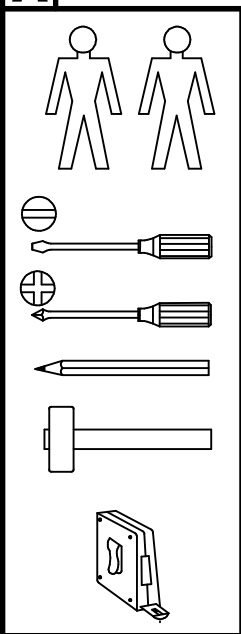
# LOKSA

# S455-LOZ/180/A

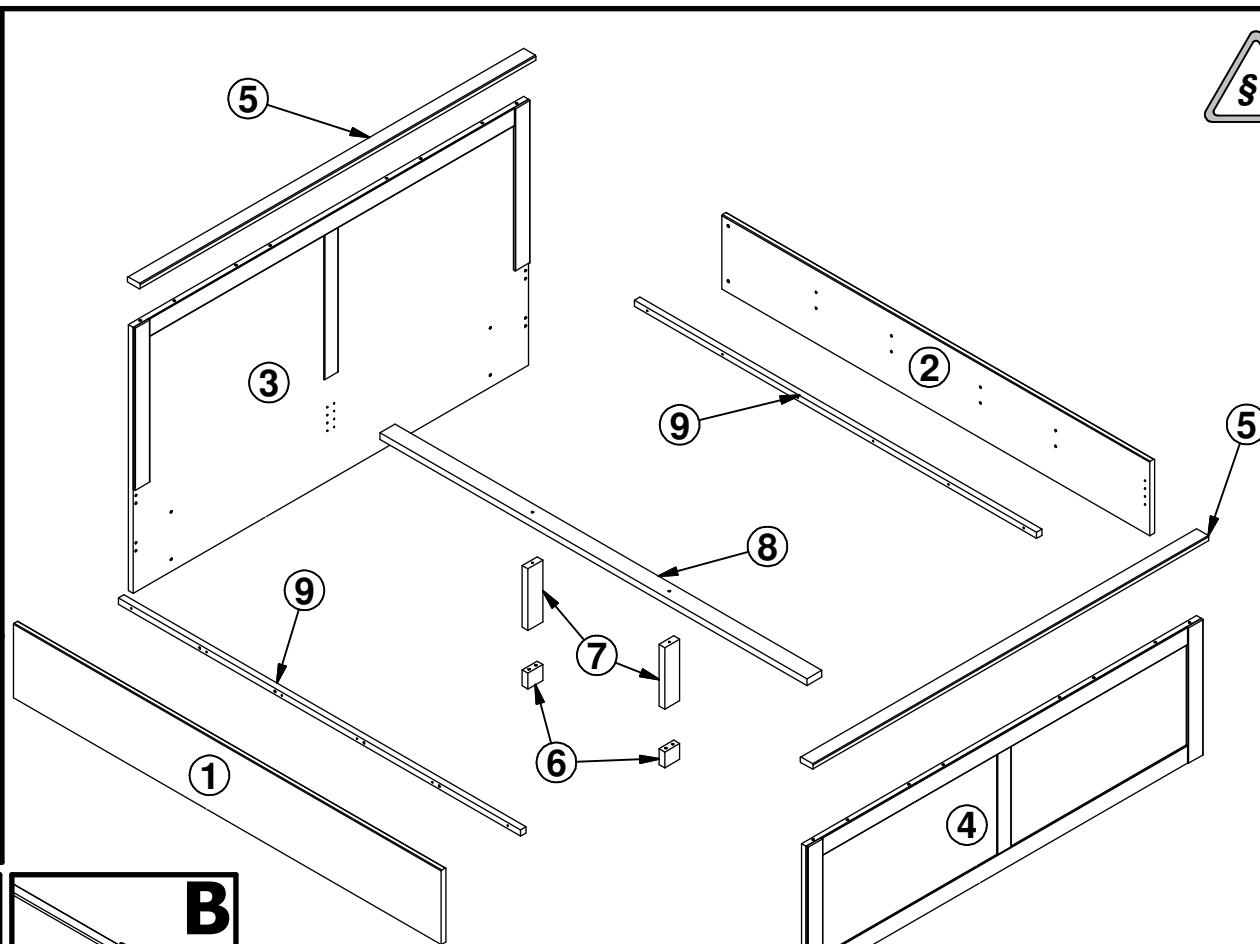
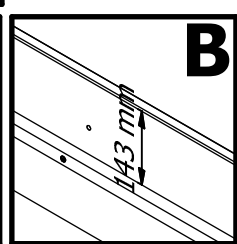
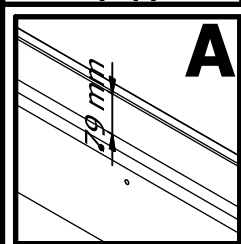


H - 1103 mm  
W - 2053 mm  
D - 1850 mm

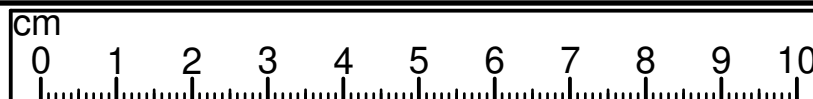
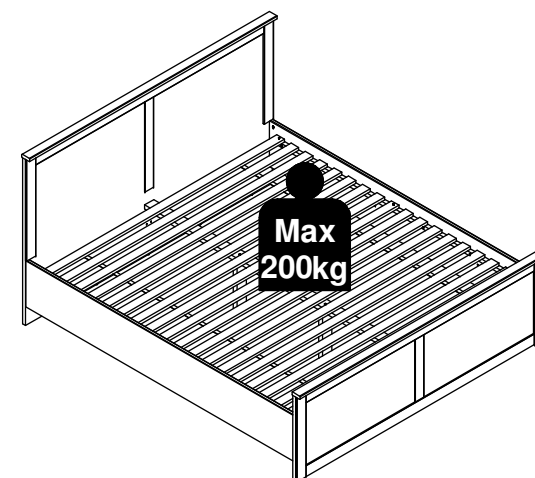




1 h



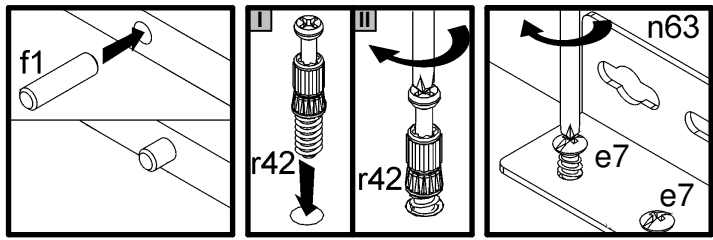
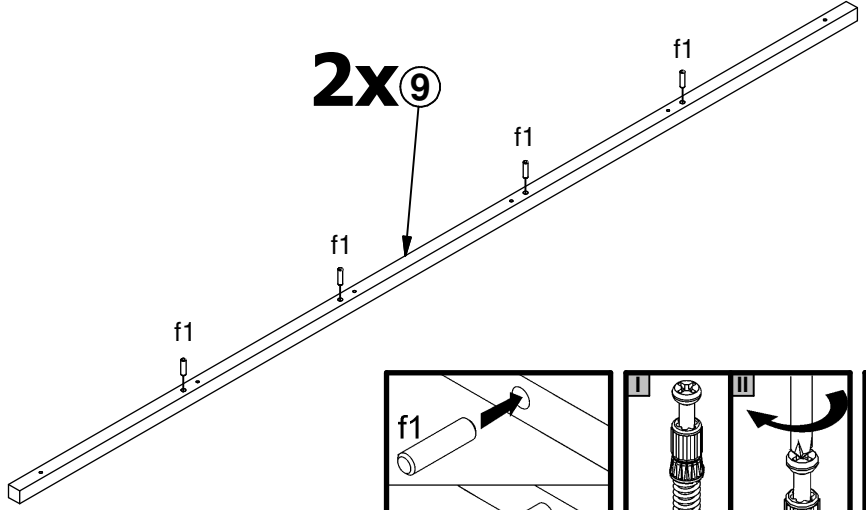
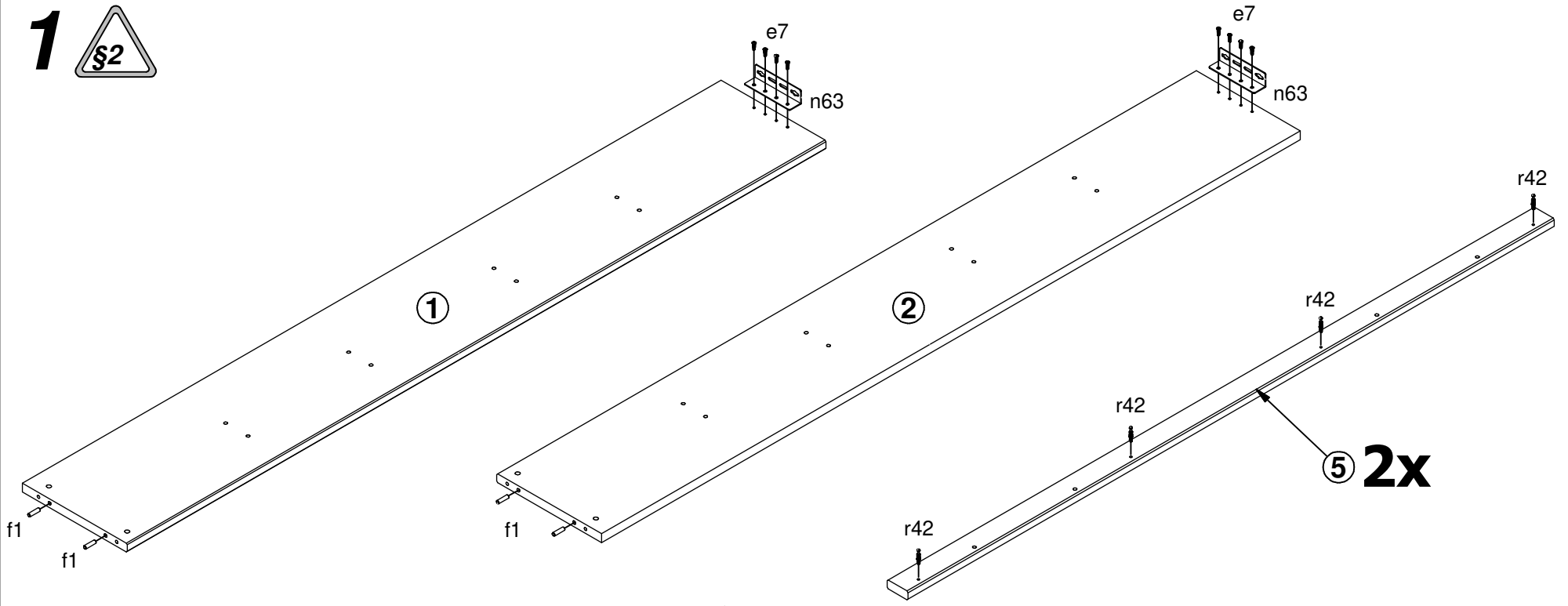
A	B	C (mm)			D
1	S455-1042	2000	300	22	3/3
2	S455-1043	2000	300	22	3/3
3	S455-4007	1848	1078	31	1/3
4	S455-4008	1848	548	31	2/3
5	S455-5048	1850	60	22	2/3
6	ZZ1-431	64	70	27	3/3
7	ZZ1-461	250	70	27	3/3
8	ZZ1-718	1995	70	27	3/3
9	ZZ1-747	1880	25	25	3/3

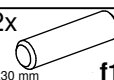
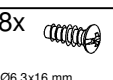
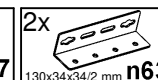
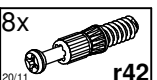


D
3/3

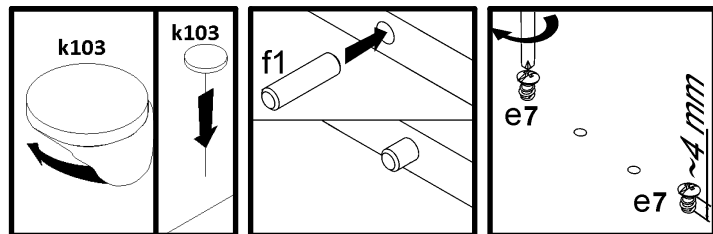
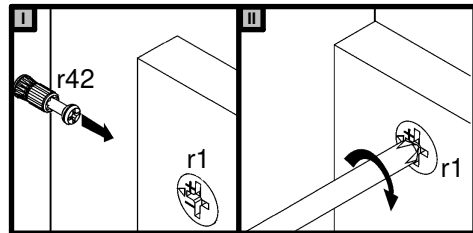
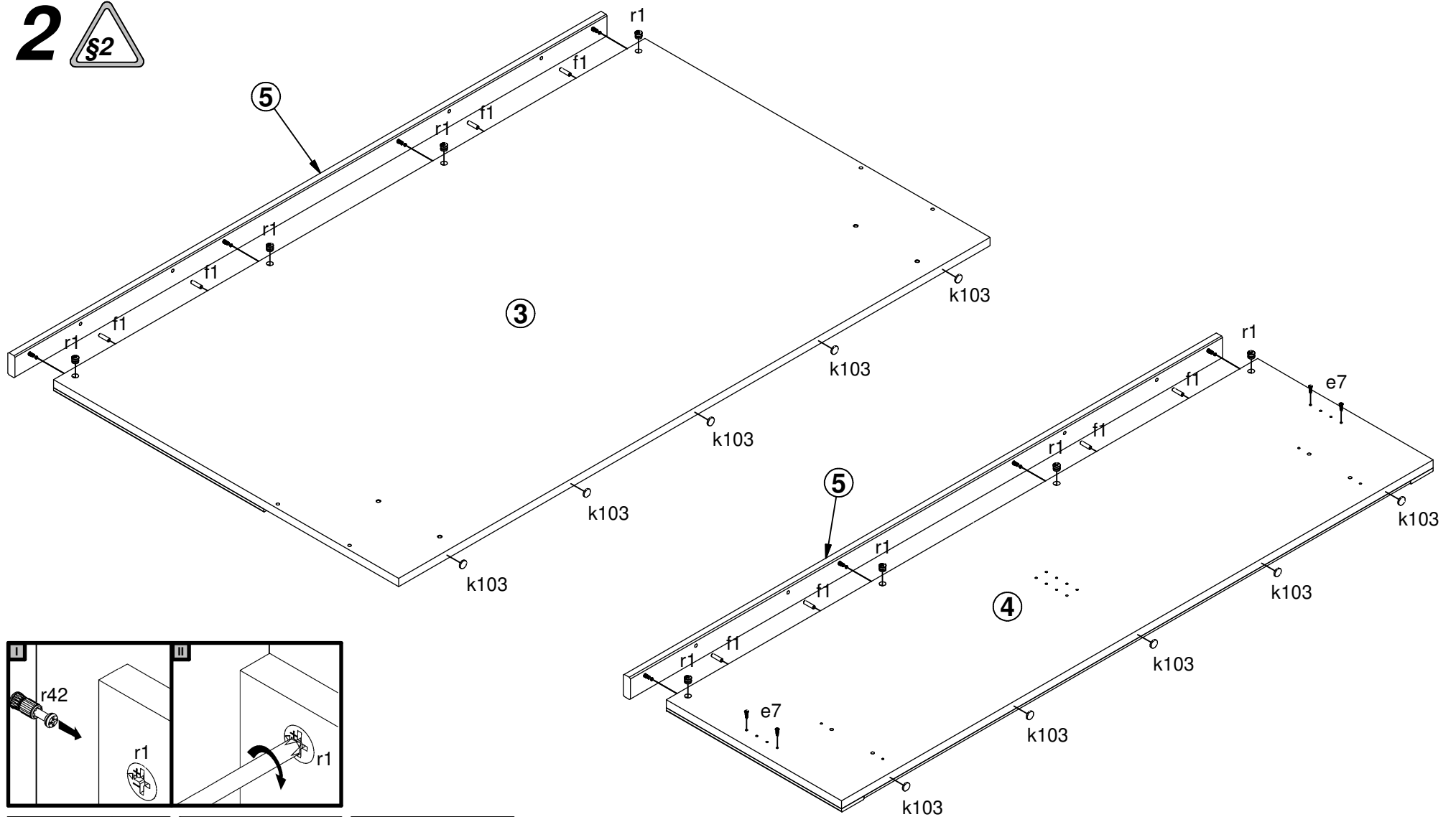
8x Ø6x13 mm <b>e3</b>	16x Ø6.3x16 mm <b>e7</b>	2x Ø7x60 mm <b>e8</b>	20x Ø8x30 mm <b>f1</b>	4x Ø8x50 mm <b>f6</b>	4x M6x65 mm <b>j132</b>	10x Ø20x3mm <b>k103</b>	2x 70x50x 49.2 mm <b>n111</b>	2x 130x34x34/2 mm <b>n63</b>	12x Ø4x40 mm <b>p10</b>	4x Ø3.5x25 mm <b>p16</b>	6x Ø4x35 mm <b>p6</b>	8x Ø15x12 mm #16 <b>r1</b>
8x Ø10x16 mm <b>r42</b>	4x Ø10x16 mm <b>r43</b>	4x Ø20mm <b>s68</b>	1x 4 mm <b>z1</b>									





**1** 



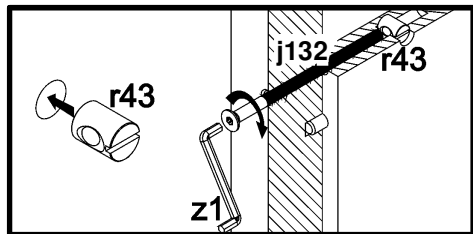
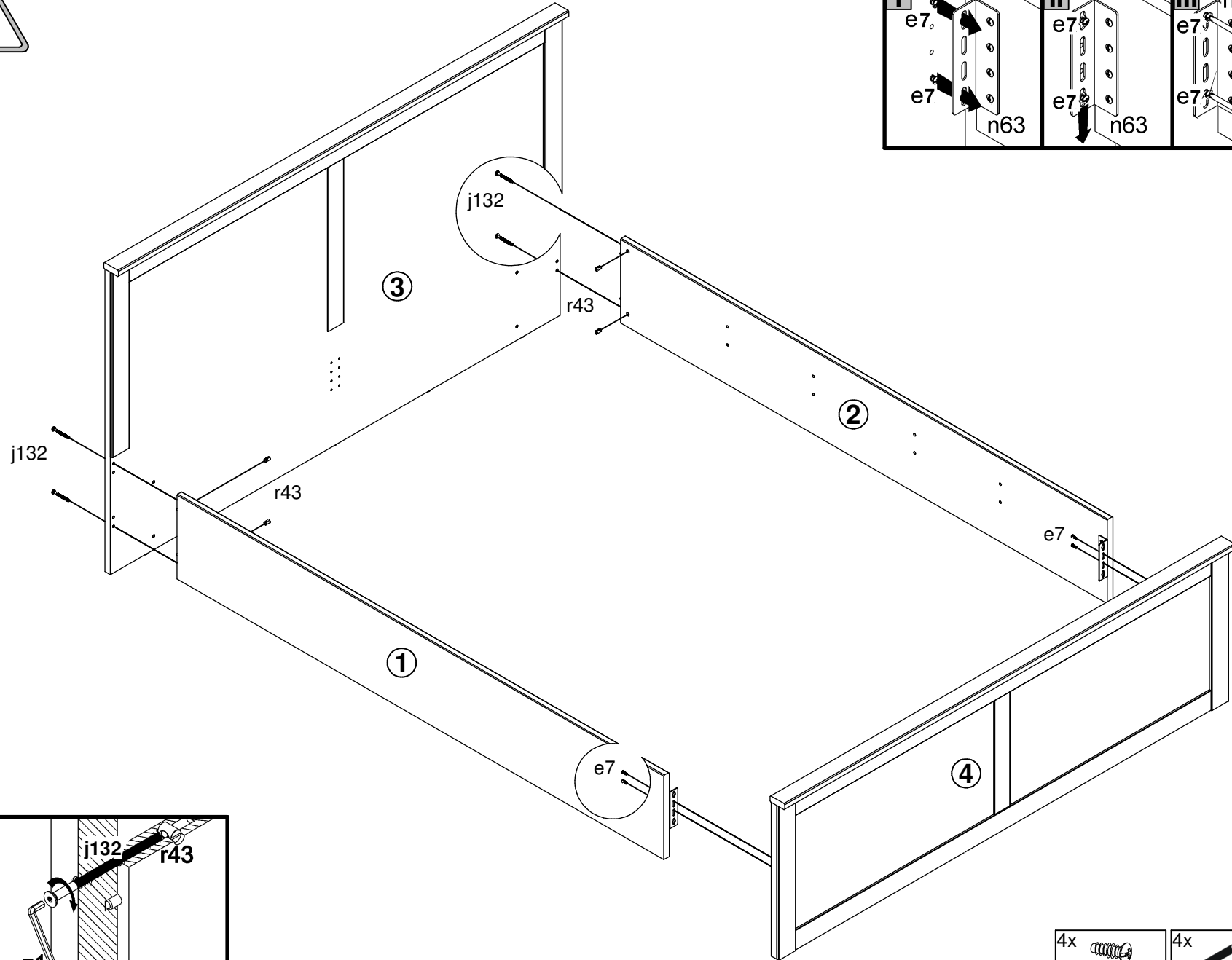
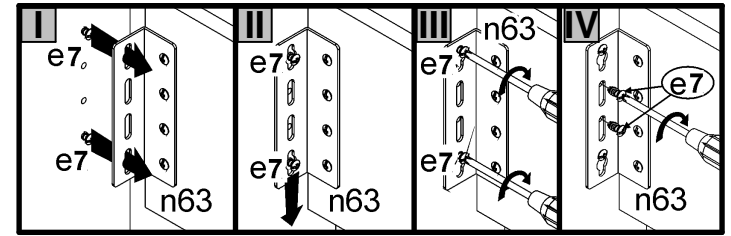
- 12x  f1  $\varnothing 8 \times 30$  mm
- 8x  e7  $\varnothing 6.3 \times 16$  mm
- 2x  n63  $130 \times 34 \times 34 / 2$  mm
- 8x  r42  $\varnothing 6.3 \times 16$  mm




2 



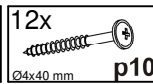
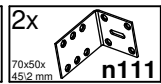
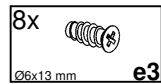
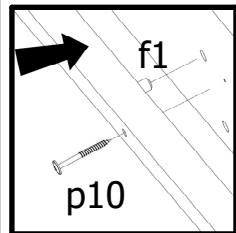
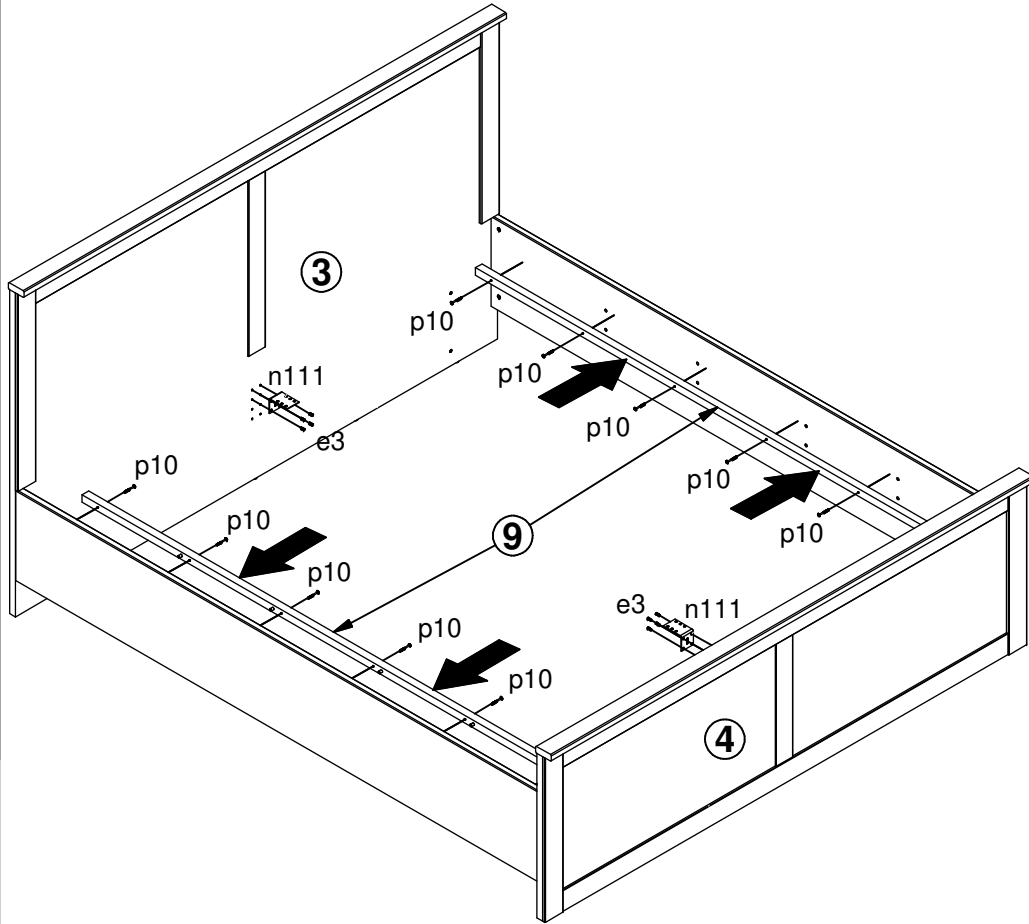
4x  e7 ∅6.3x16 mm	8x  f1 ∅8x30 mm	10x  k103 ∅20x3mm	8x  r1 ∅15x12 mm #16
-----------------------------------------------------------------------------------------------------------	---------------------------------------------------------------------------------------------------------	-----------------------------------------------------------------------------------------------------------	--------------------------------------------------------------------------------------------------------------

**3** 

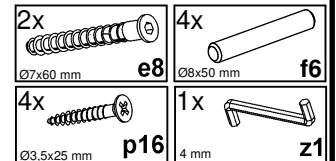
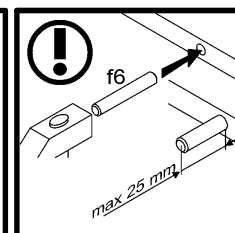
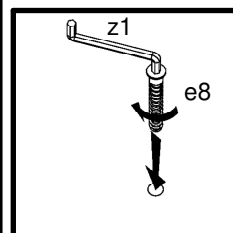
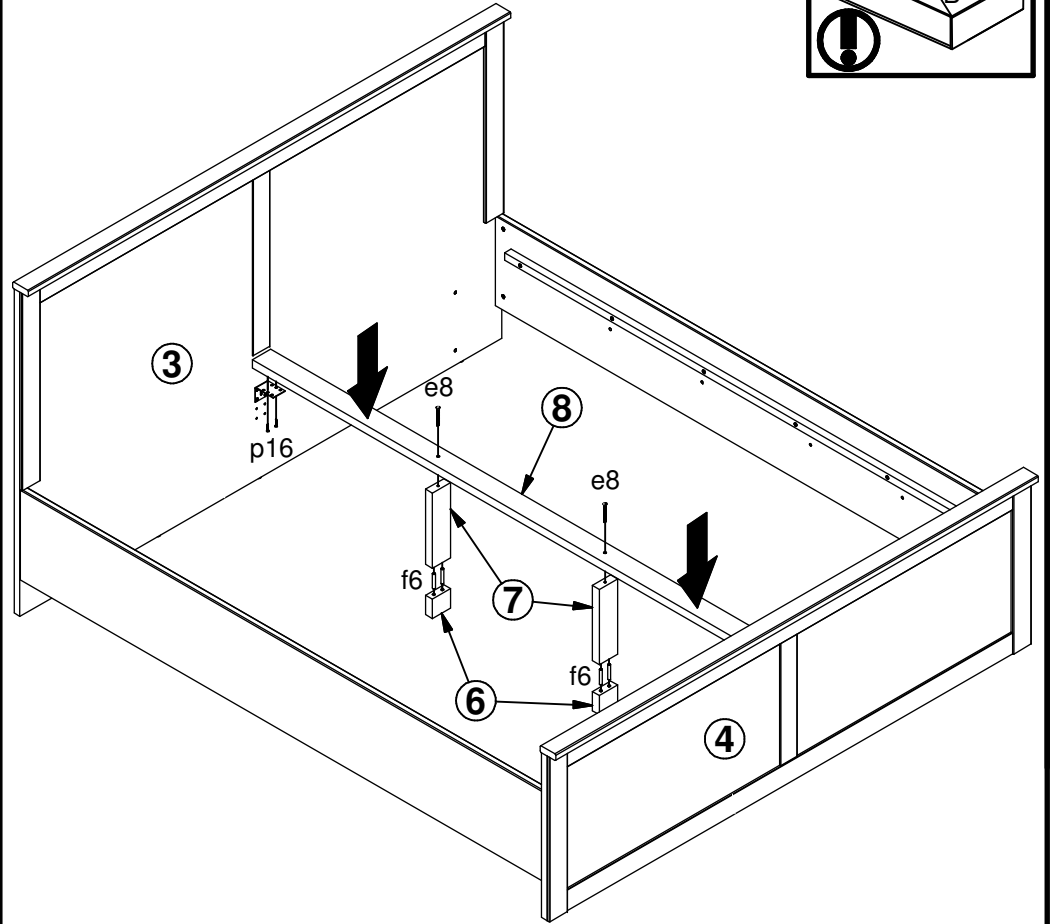
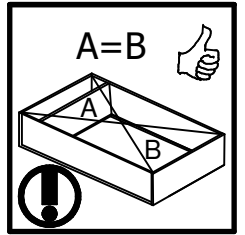


- 4x  e7 Ø6.3x16 mm
- 4x  j132 M6x65 mm
- 4x  r43 Ø10x16 mm

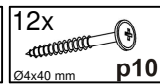
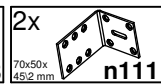
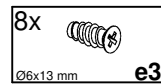
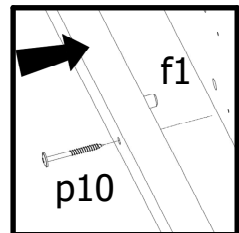
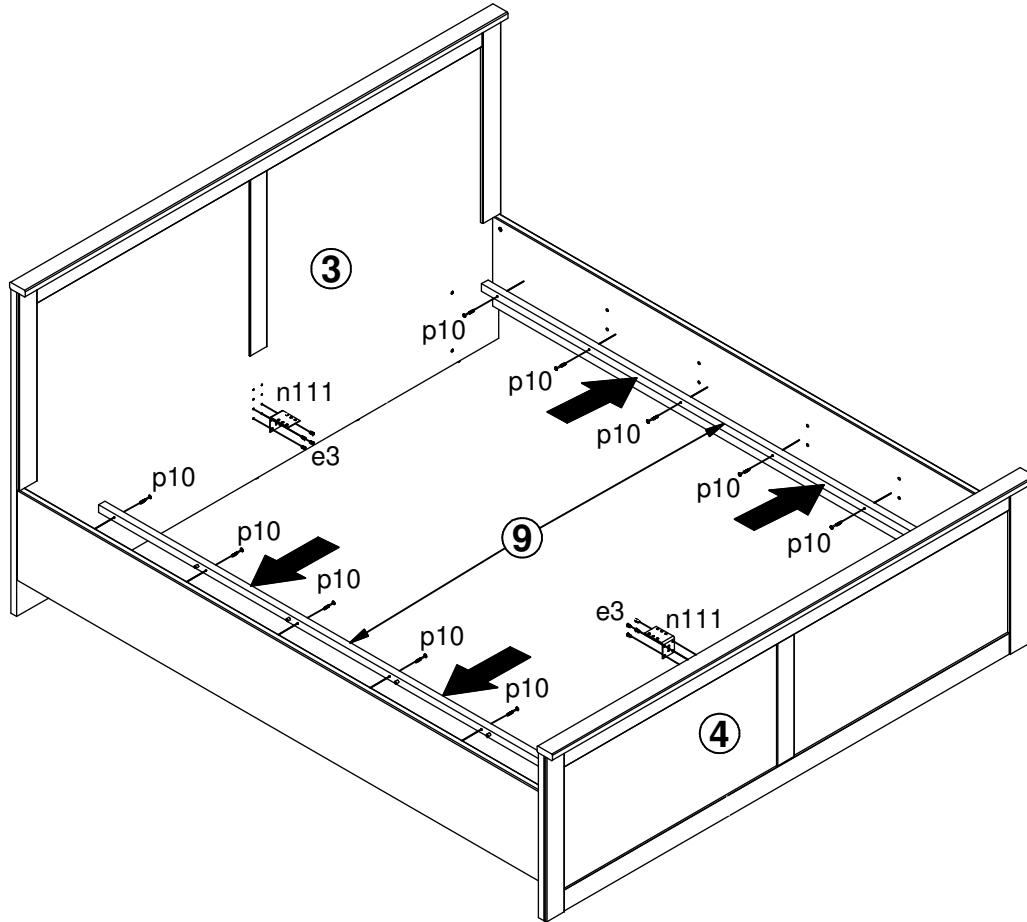
# 4A



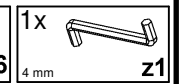
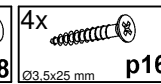
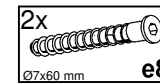
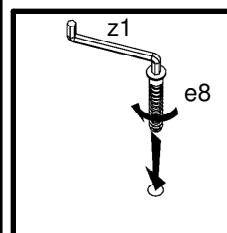
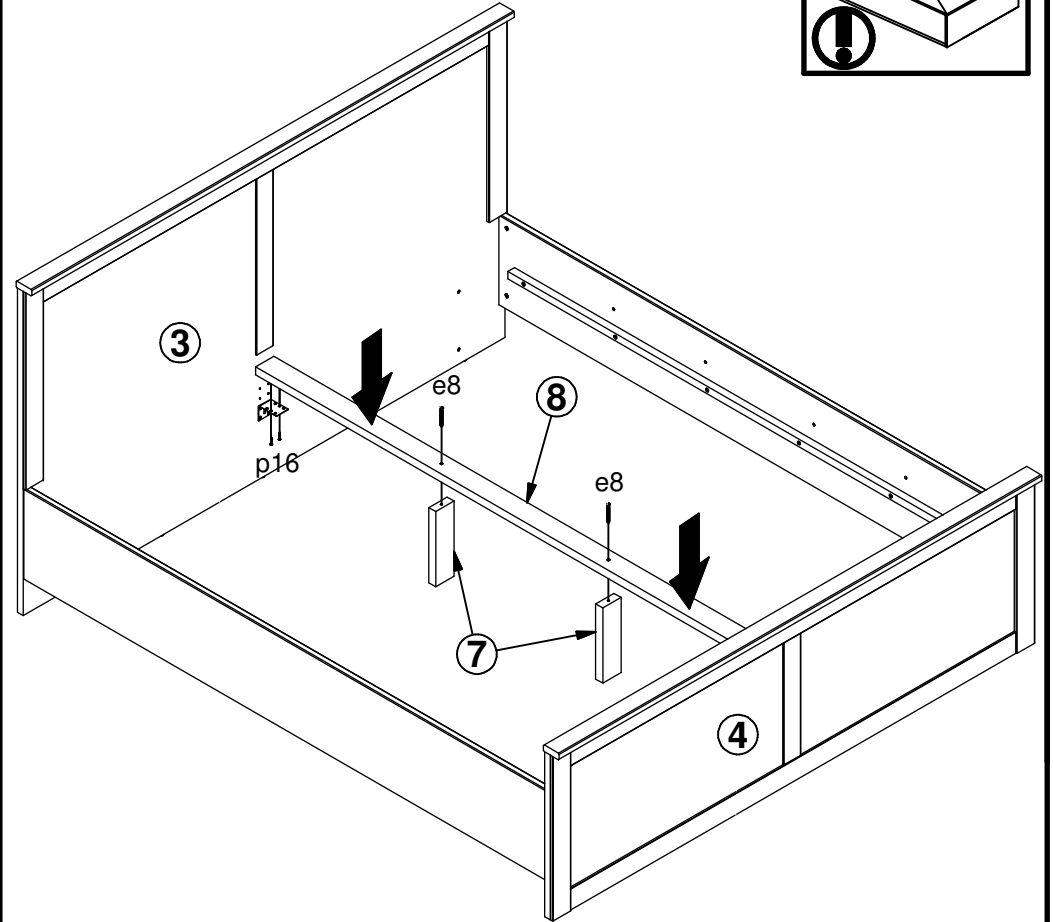
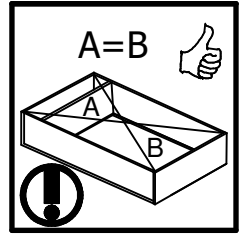
# 5A



# 6B

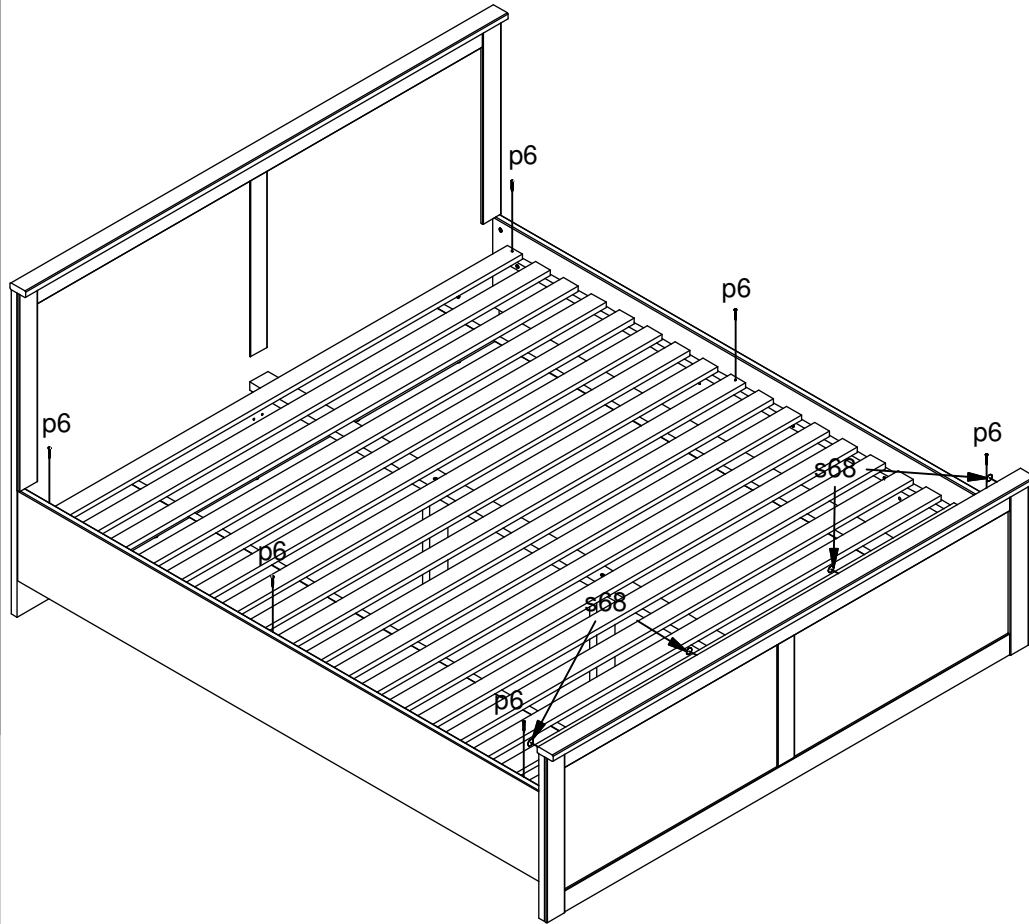


# 7B





# 8A



# 8B

