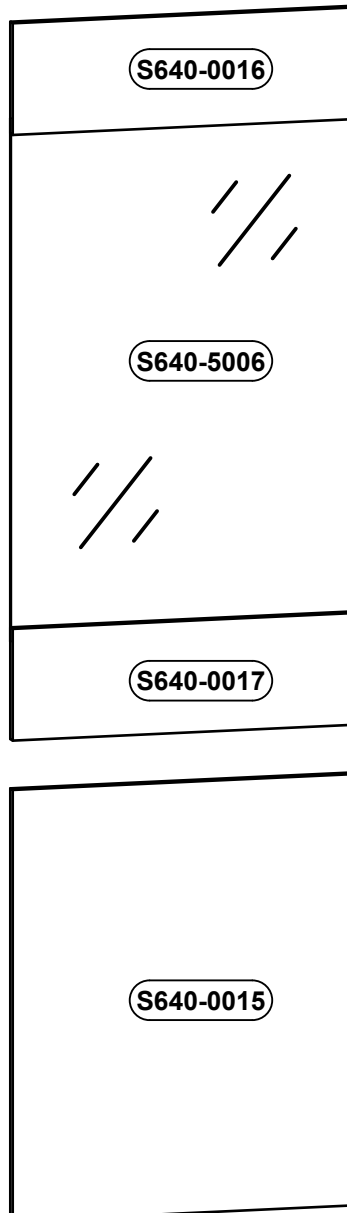
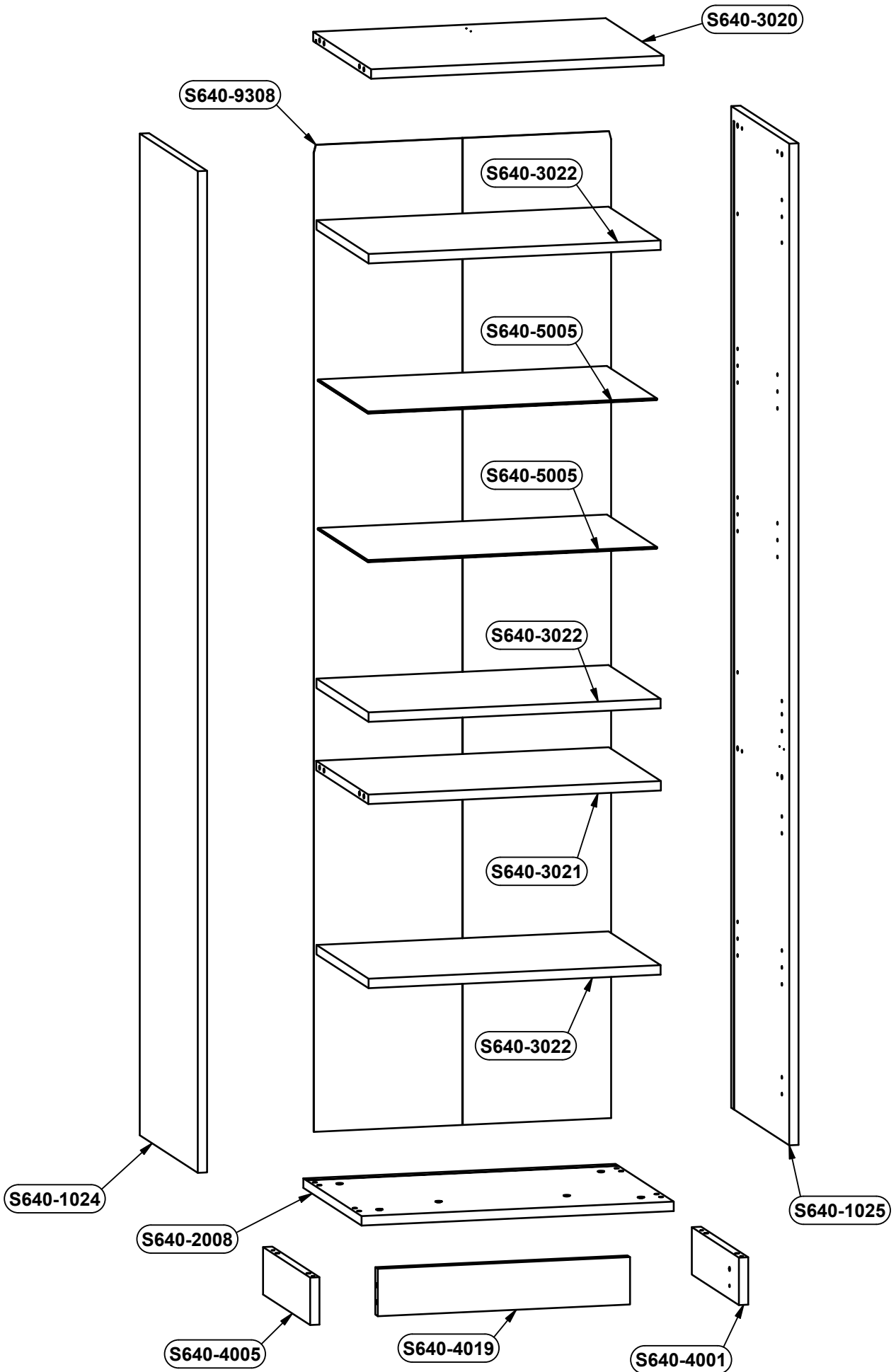
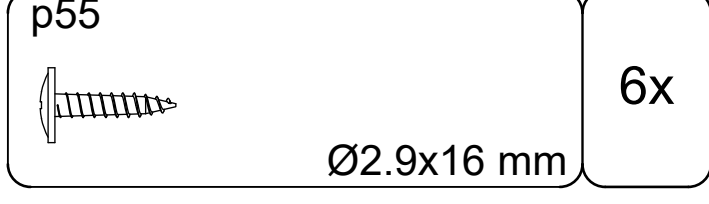
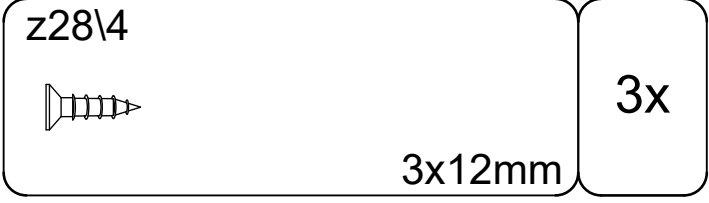
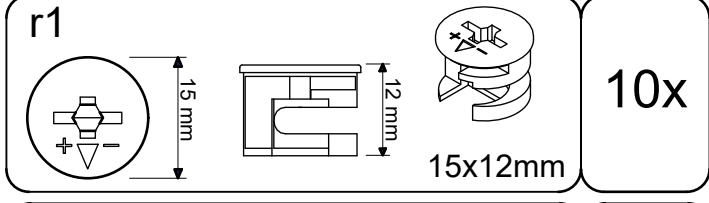
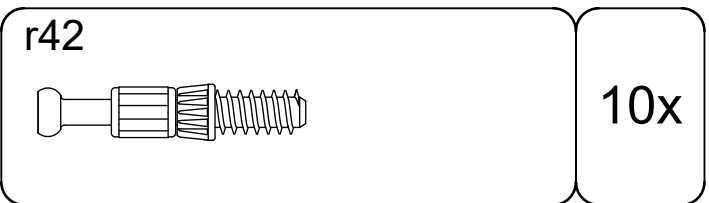
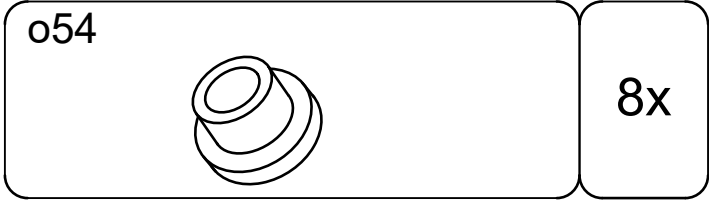
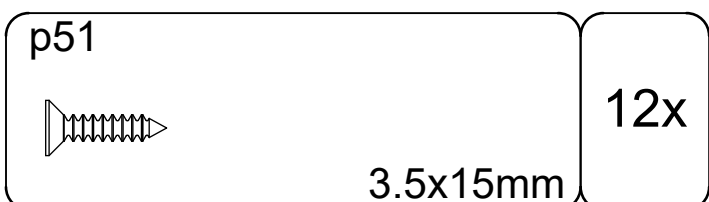
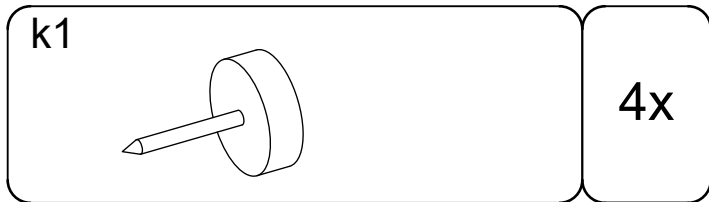
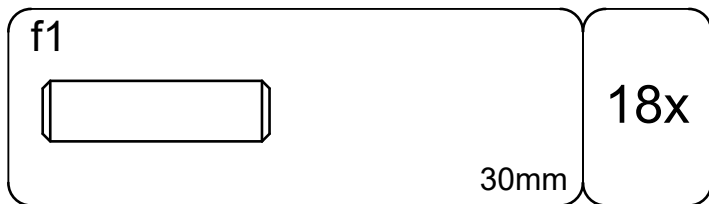
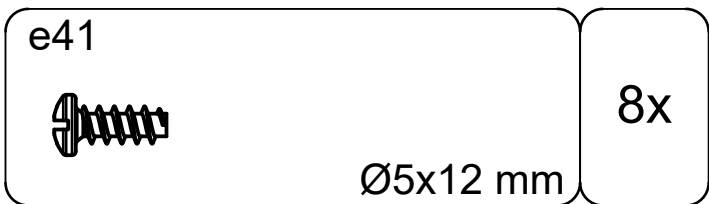
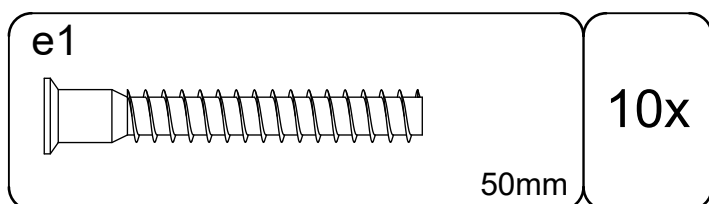
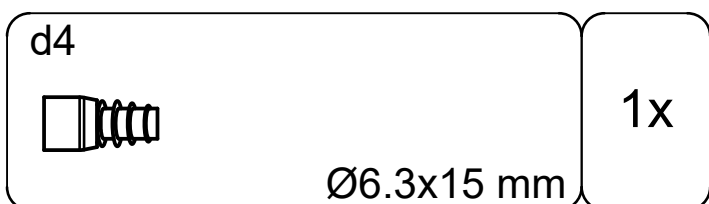
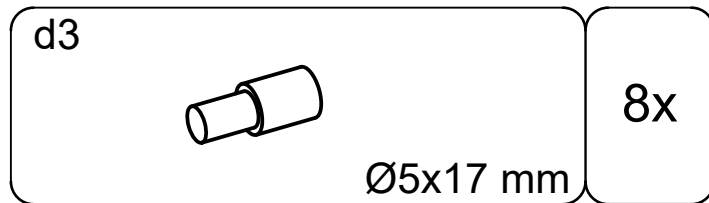
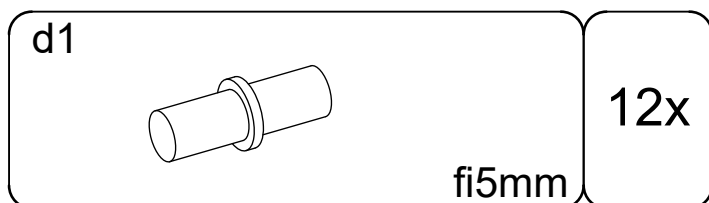
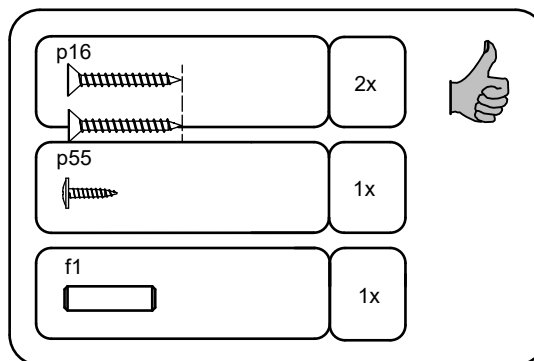
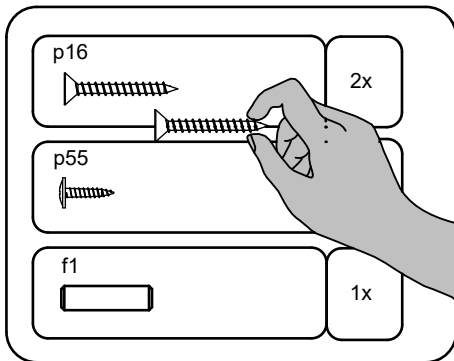


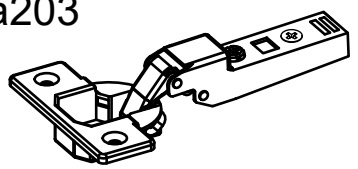
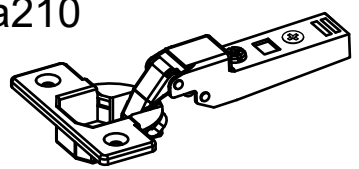
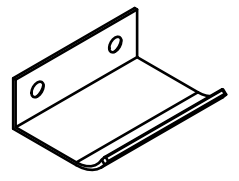
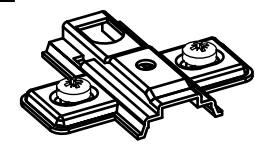
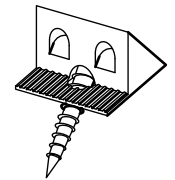
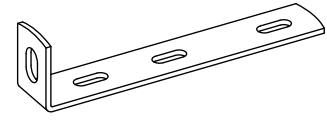
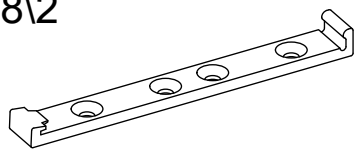
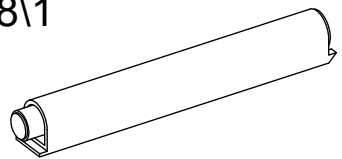
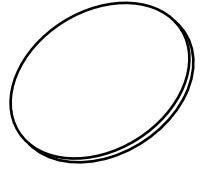
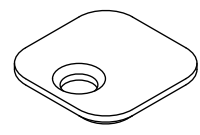
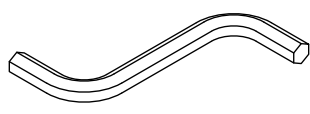
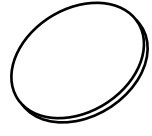
B1	B2	C1	C2	C3	C4	D
S640-0015	-.1	695	560	15	1	2\2
S640-0016	-.1	180	560	15	1	2\2
S640-0017	-.1	180	560	15	1	2\2
S640-1024	-.1	1901	419	18	1	2\2
S640-1025	-.1	1901	419	18	1	2\2
S640-2008	-.1	604	420	18	1	1\2
S640-3020	-.1	566	418	18	1	1\2
S640-3021	-.1	566	376	18	1	1\2
S640-3022	-.1	565	376	18	3	1\2
S640-4001	-.5	340	90	18	1	1\2
S640-4005	-.5	340	90	18	1	1\2
S640-4019	-.1	488	90	18	1	1\2
S640-5005	-.1	560	360	4	2	1\2
S640-5006	-.1	844	558	4	1	2\2
S640-9308	-.1	1873	575	2,5	1	2\2

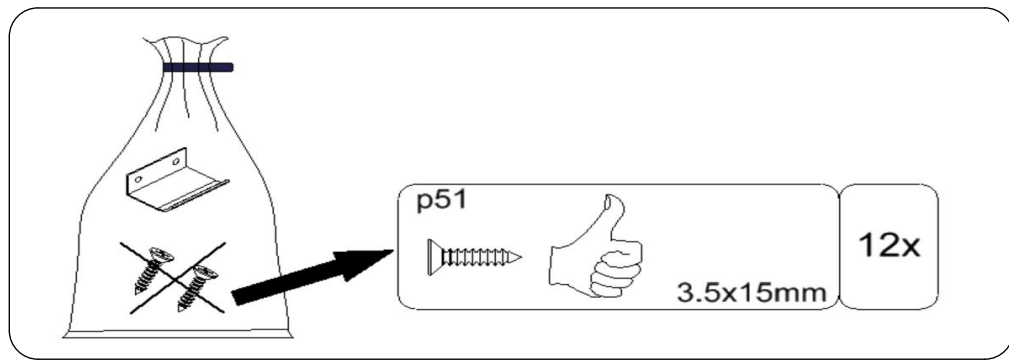
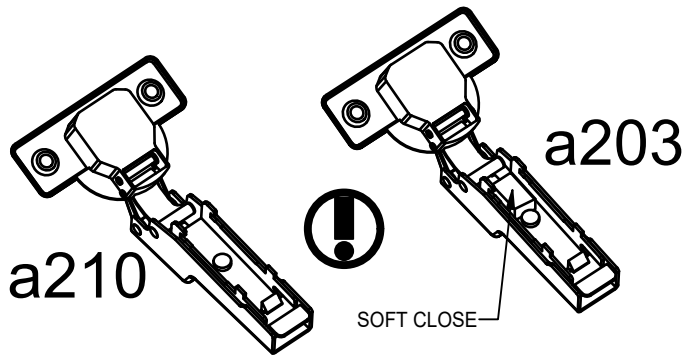




1:1

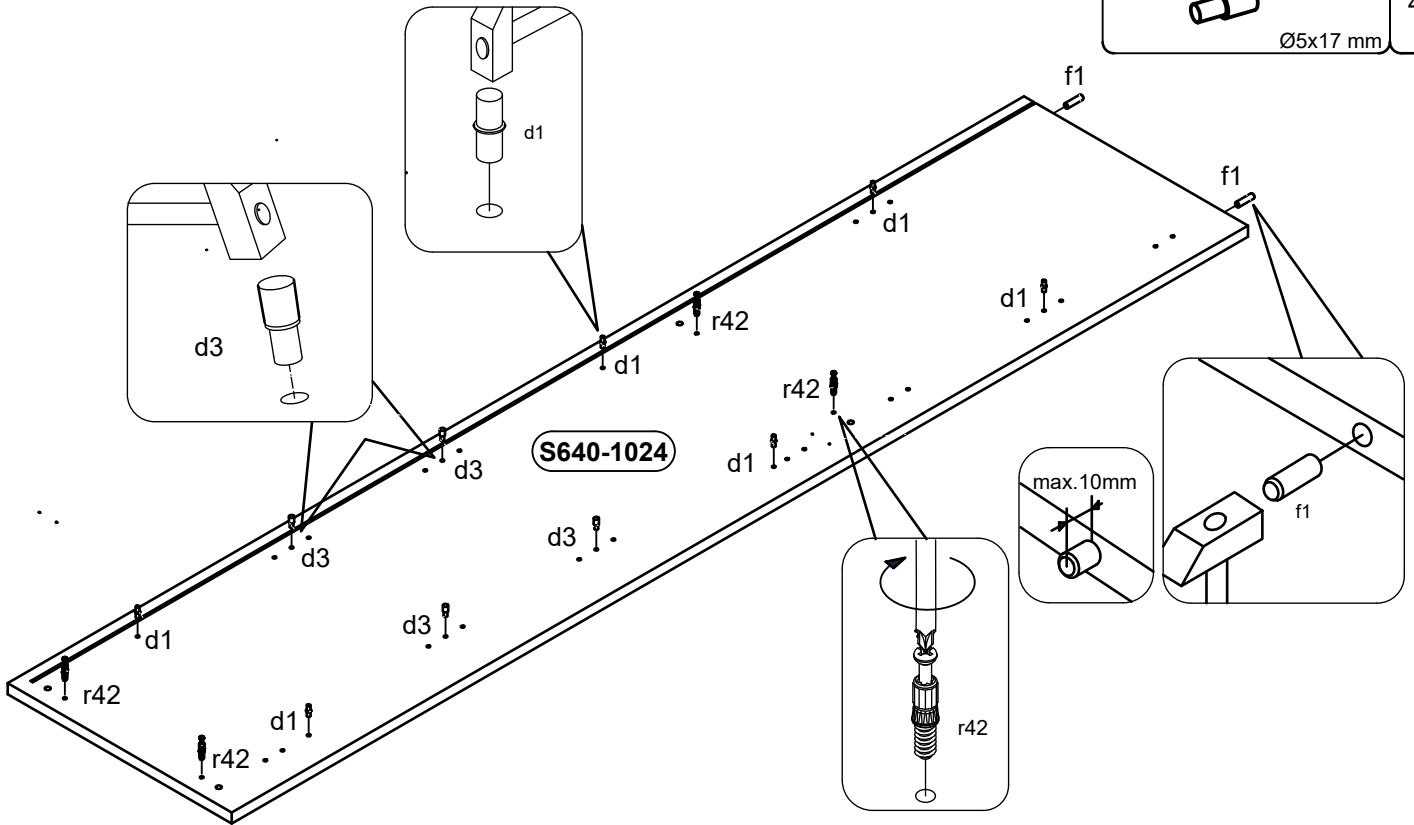


<p>a203</p> 	<p>1x</p>	<p>a210</p> 	<p>3x</p>
<p>c627\1</p>  <p>L-50mm</p>	<p>1x</p>	<p>b92</p> 	<p>4x</p>
<p>l2</p> 	<p>12x</p>	<p>n14\2</p> 	<p>1x</p>
<p>z28\2</p> 	<p>1x</p>	<p>z28\1</p> 	<p>1x</p>
<p>s68</p>  <p>Ø20mm</p>	<p>8x</p>	<p>z28\3</p> 	<p>1x</p>
<p>z1</p>  <p>4mm</p>	<p>1x</p>	<p>s59</p>  <p>Ø14mm</p>	<p>6x</p>



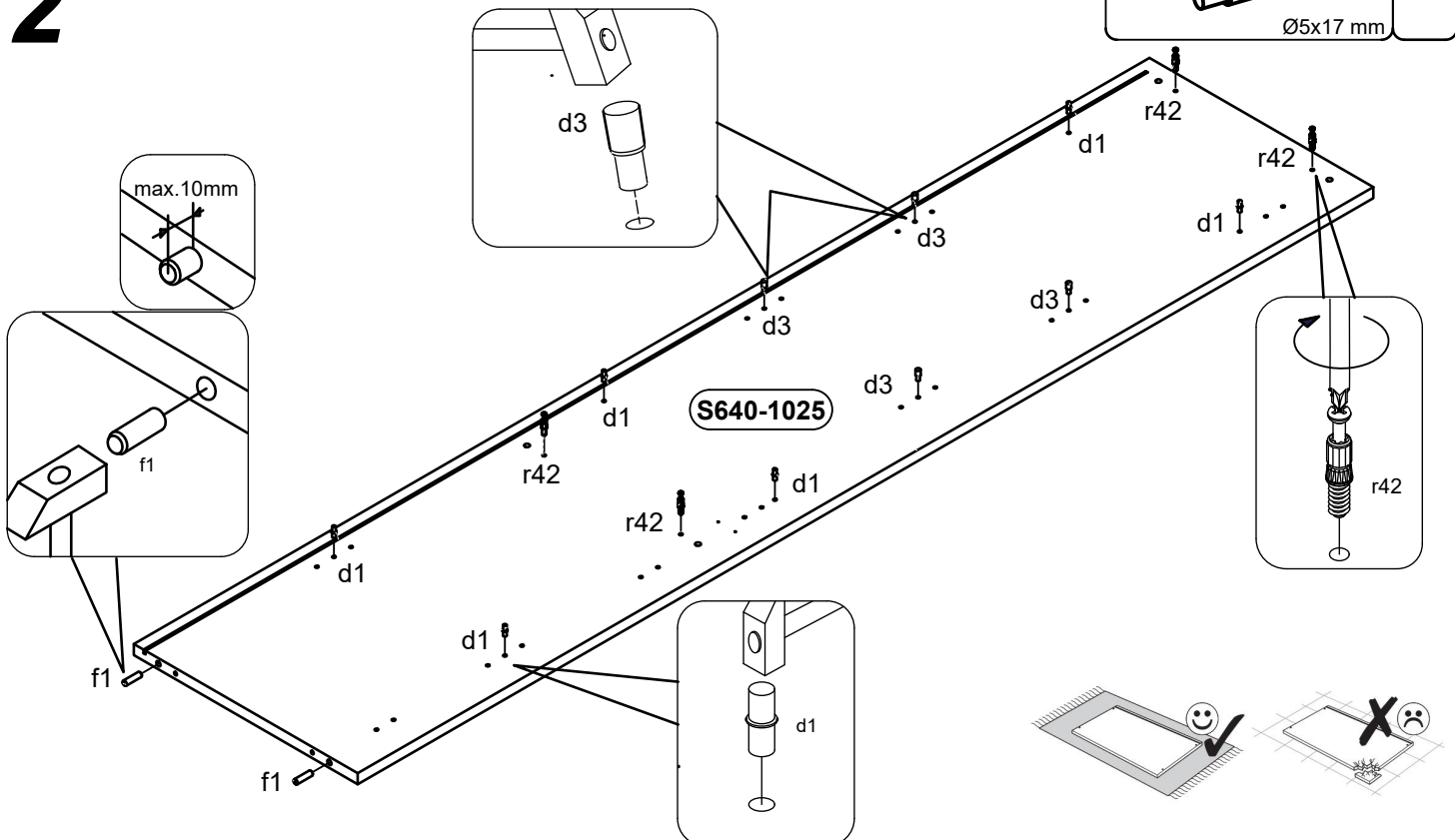
1

d1 fi5mm	6x	r42 	4x	f1 30mm	2x
d3 Ø5x17 mm					4x

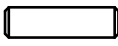



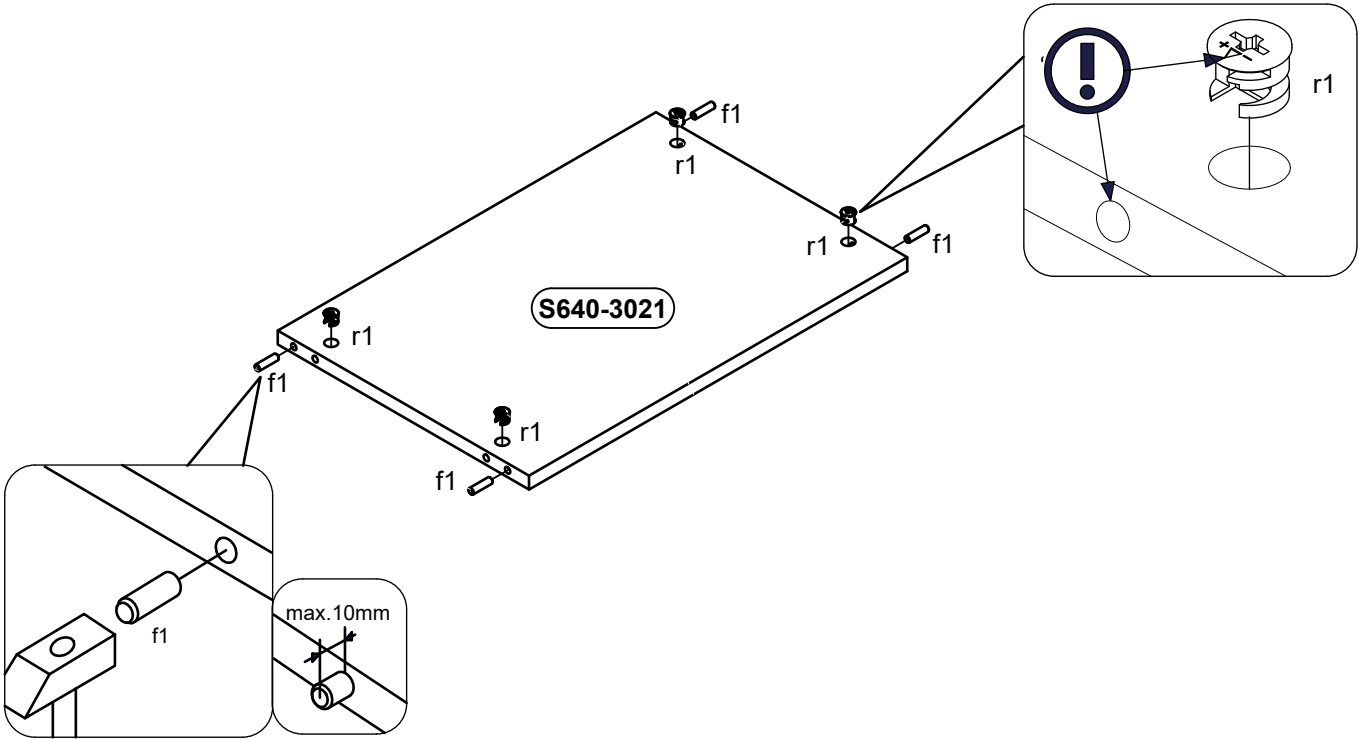
2

d1 fi5mm	6x	r42 	4x	f1 30mm	2x
d3 Ø5x17 mm					4x

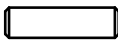
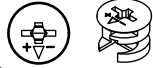


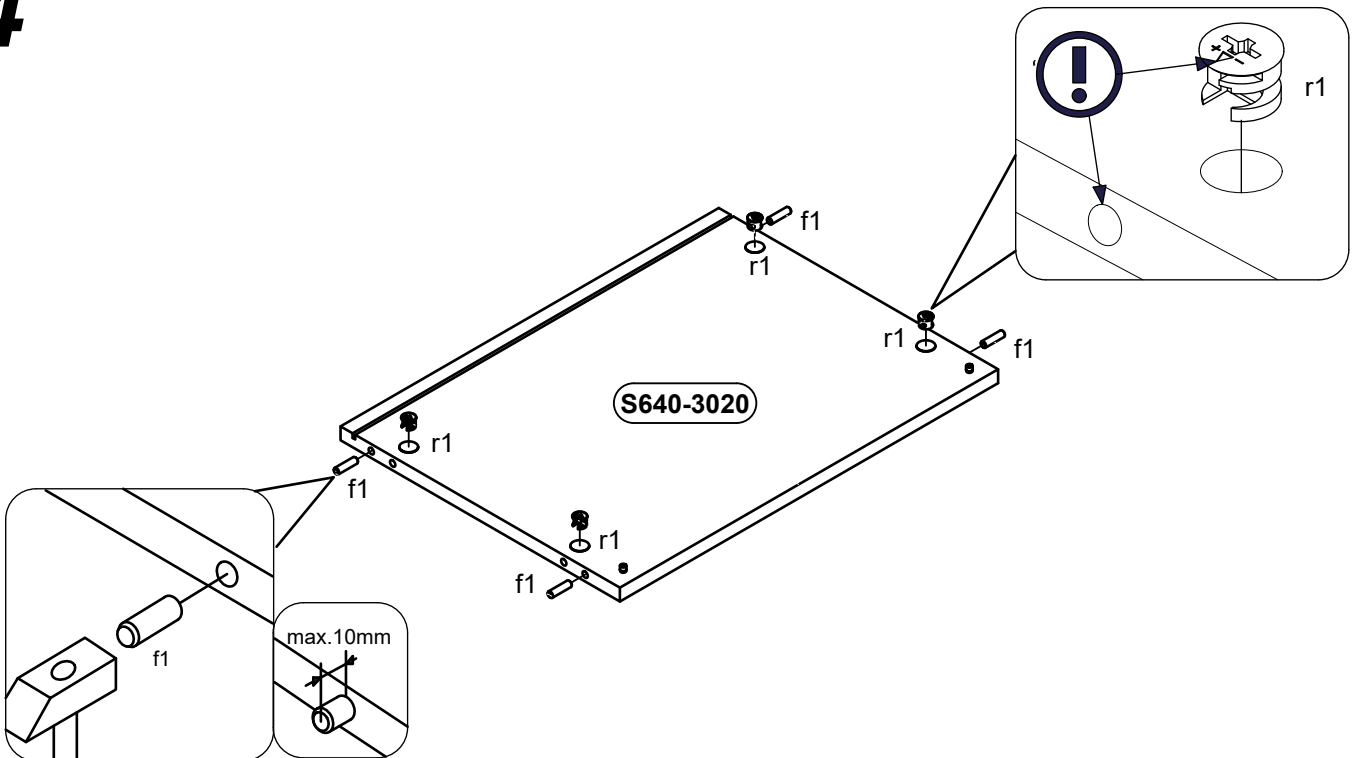
3

f1  30mm	4x	r1  15x12mm	4x
---	----	--	----

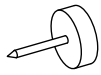

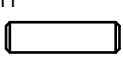


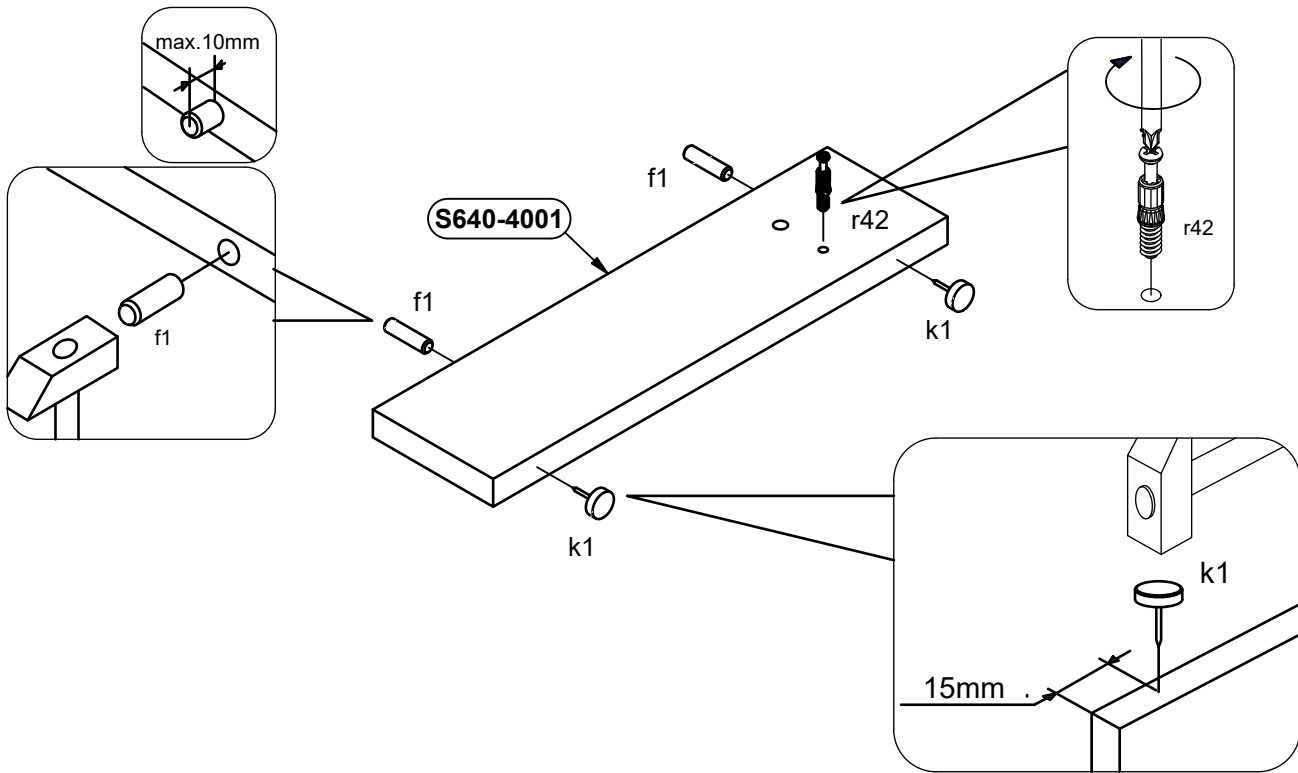
4

f1  30mm	4x	r1  15x12mm	4x
---	----	--	----


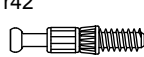
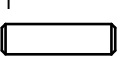


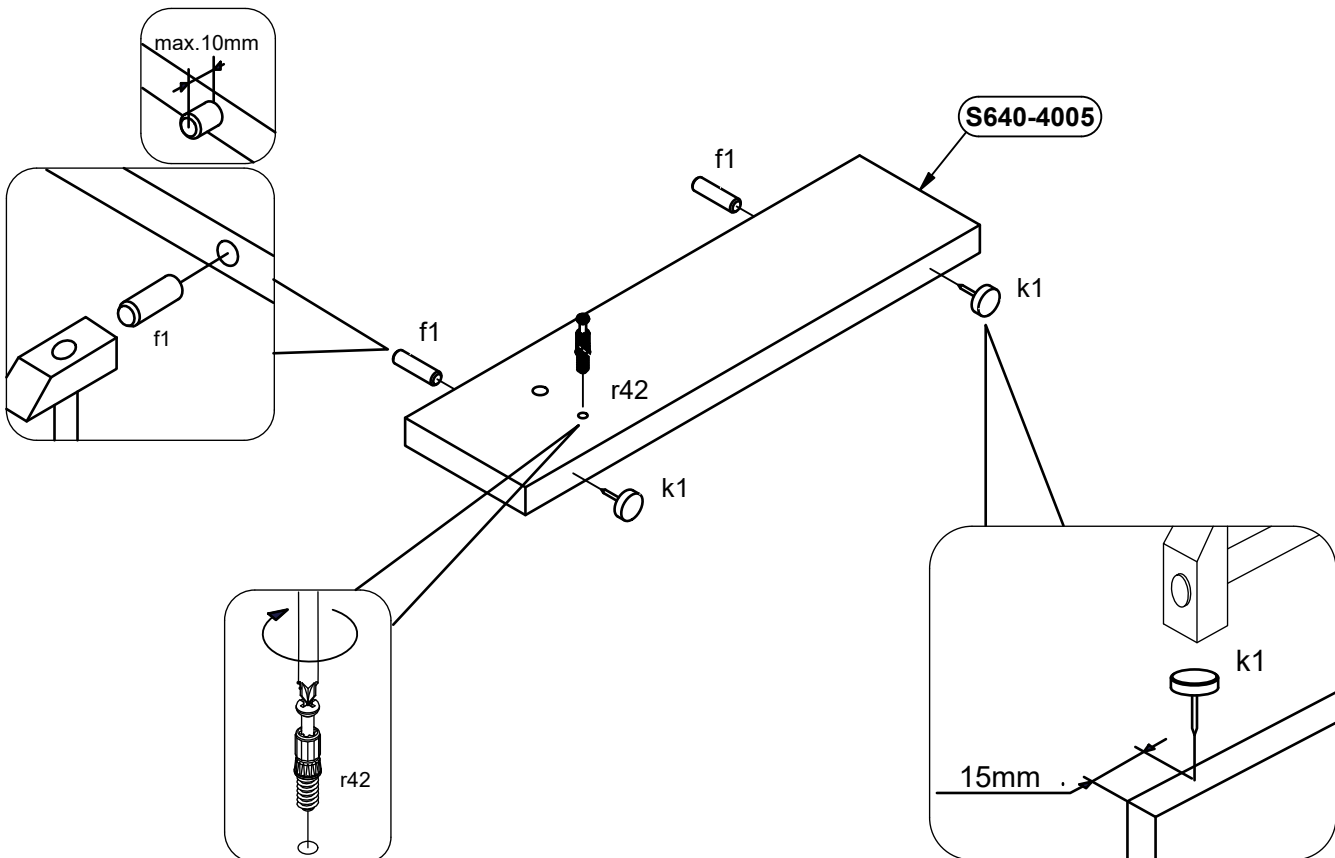
5

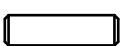


 k1	2x	 r42	1x	 f1	2x
30mm					



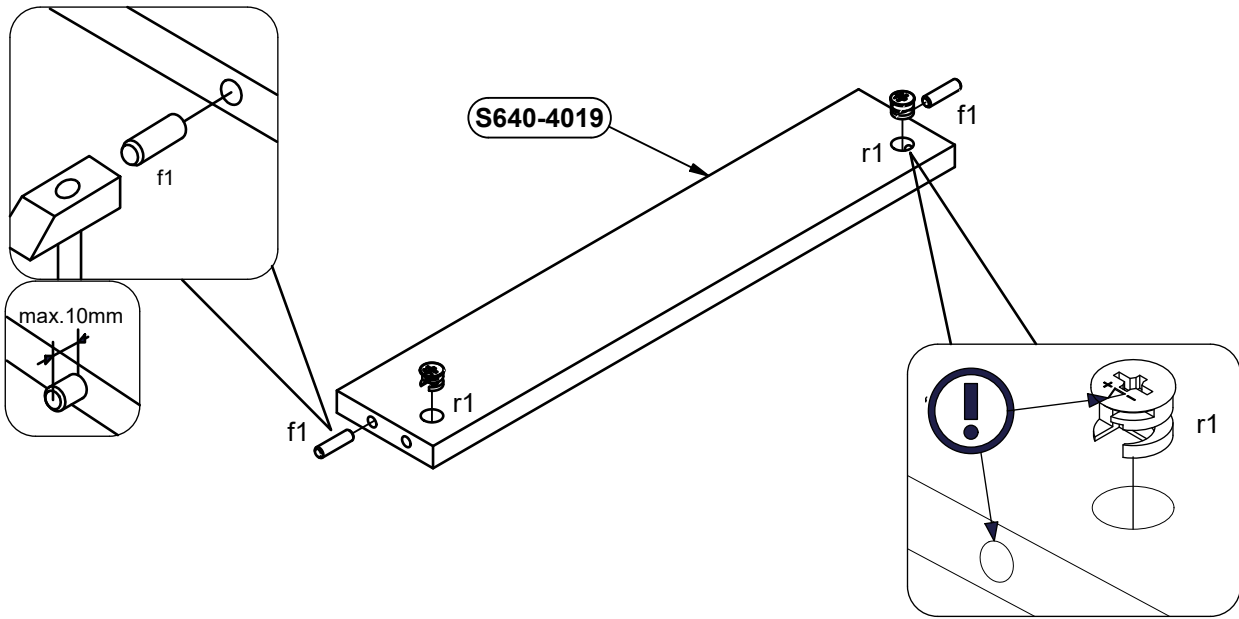
6

 k1	2x	 r42	1x	 f1	2x
30mm					

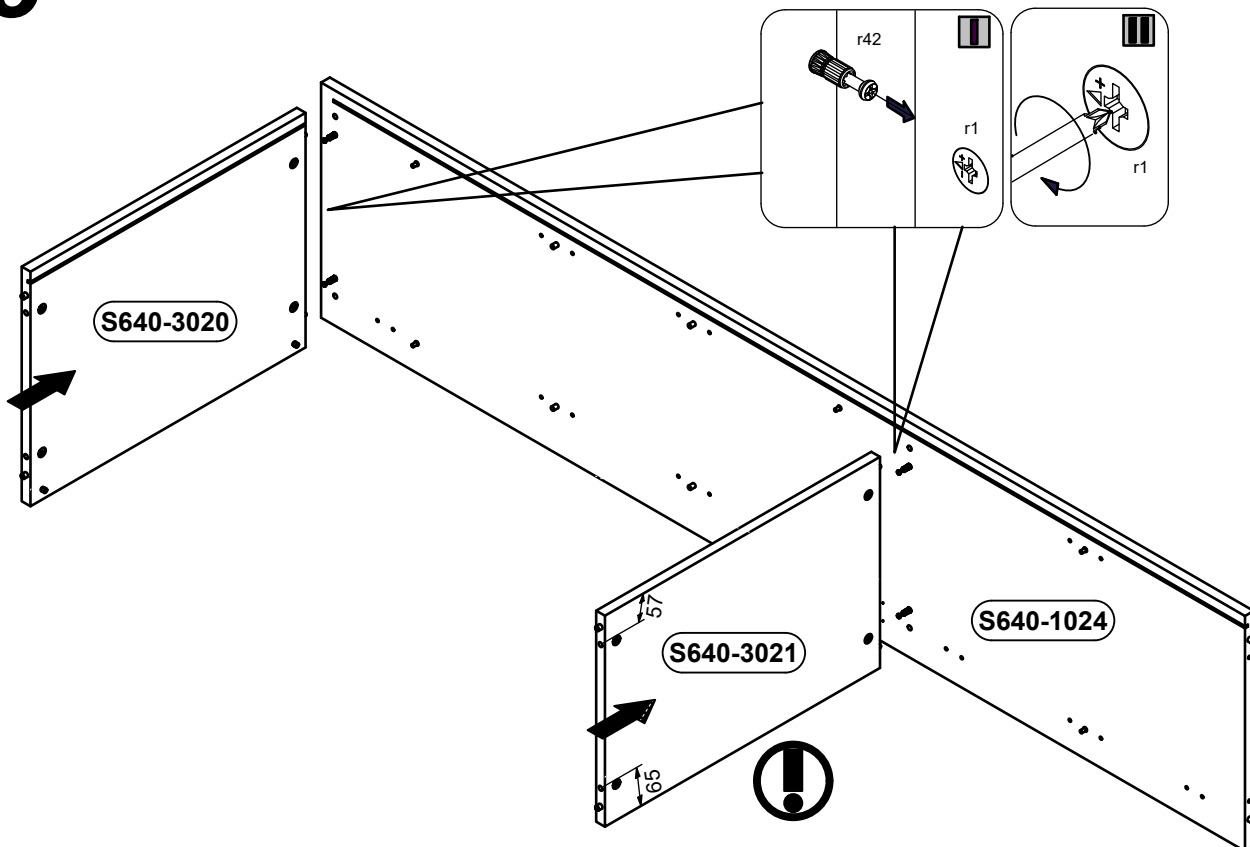


 <p>f1 30mm</p>	<p>2x</p>	  <p>r1 15x12mm</p>	<p>2x</p>
--	-----------	---	-----------

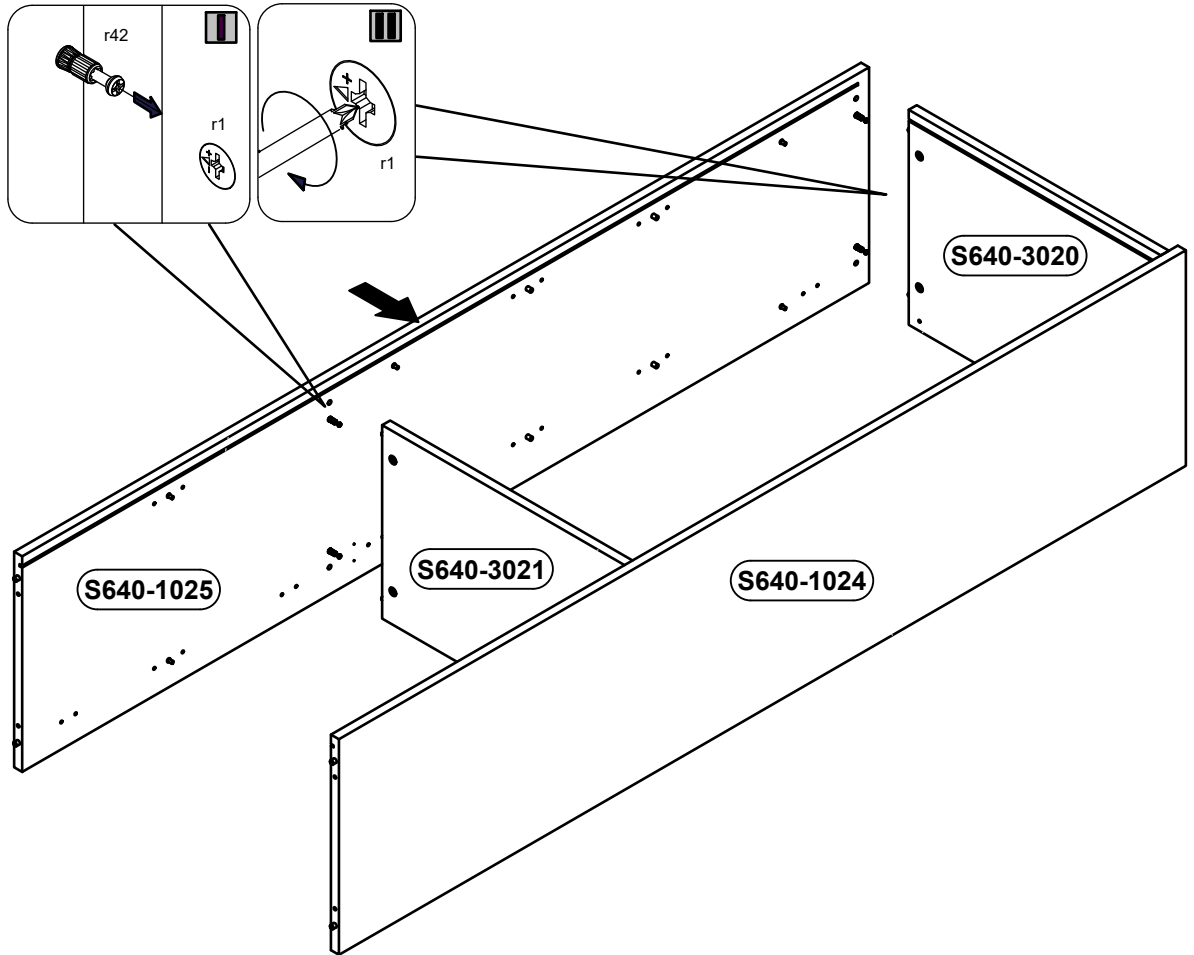
7



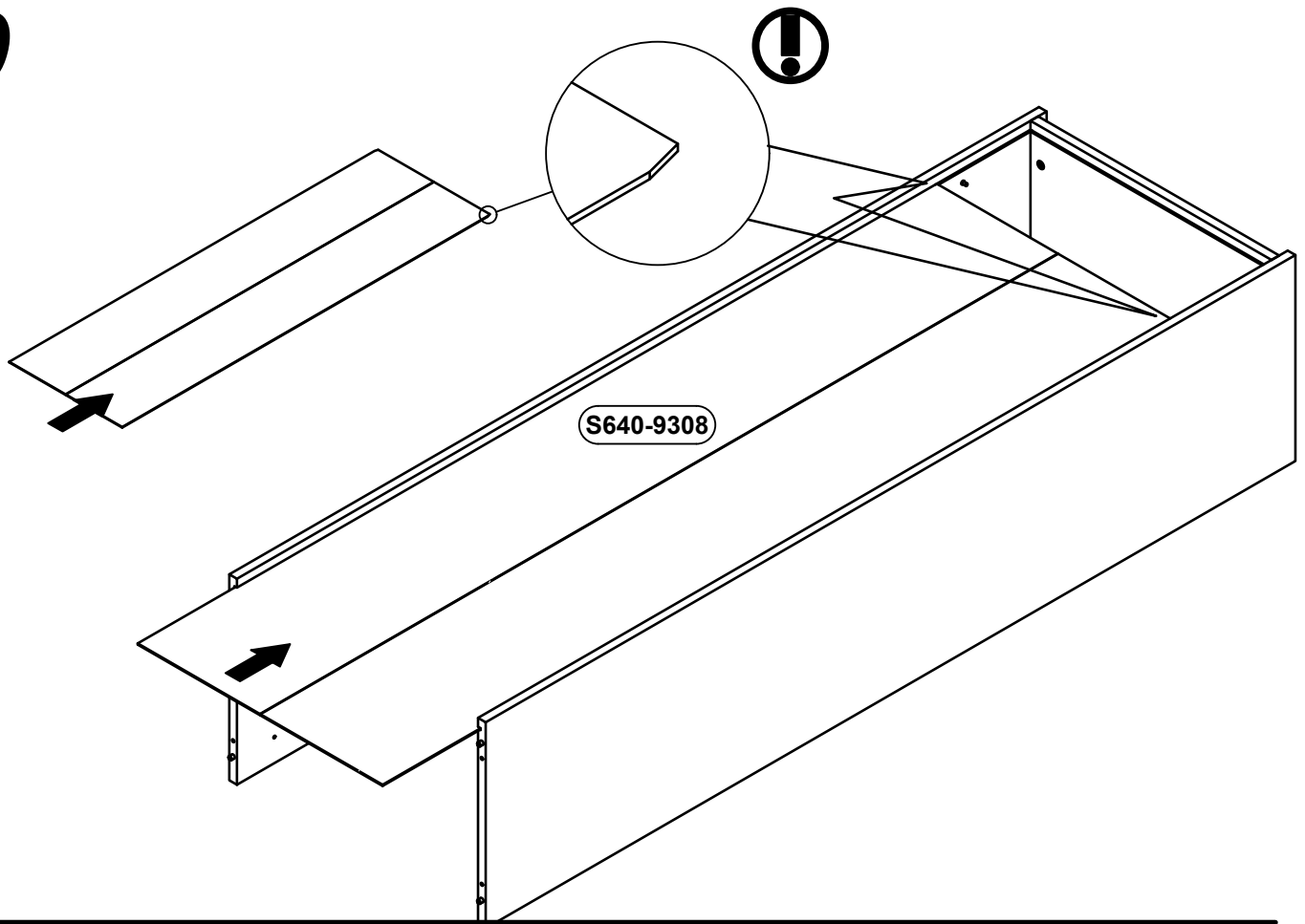
8



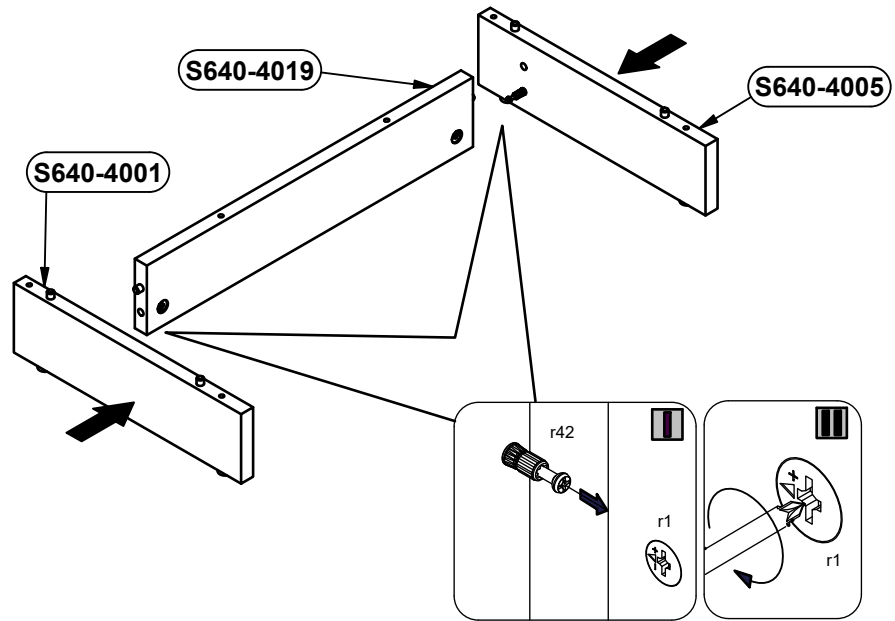
9



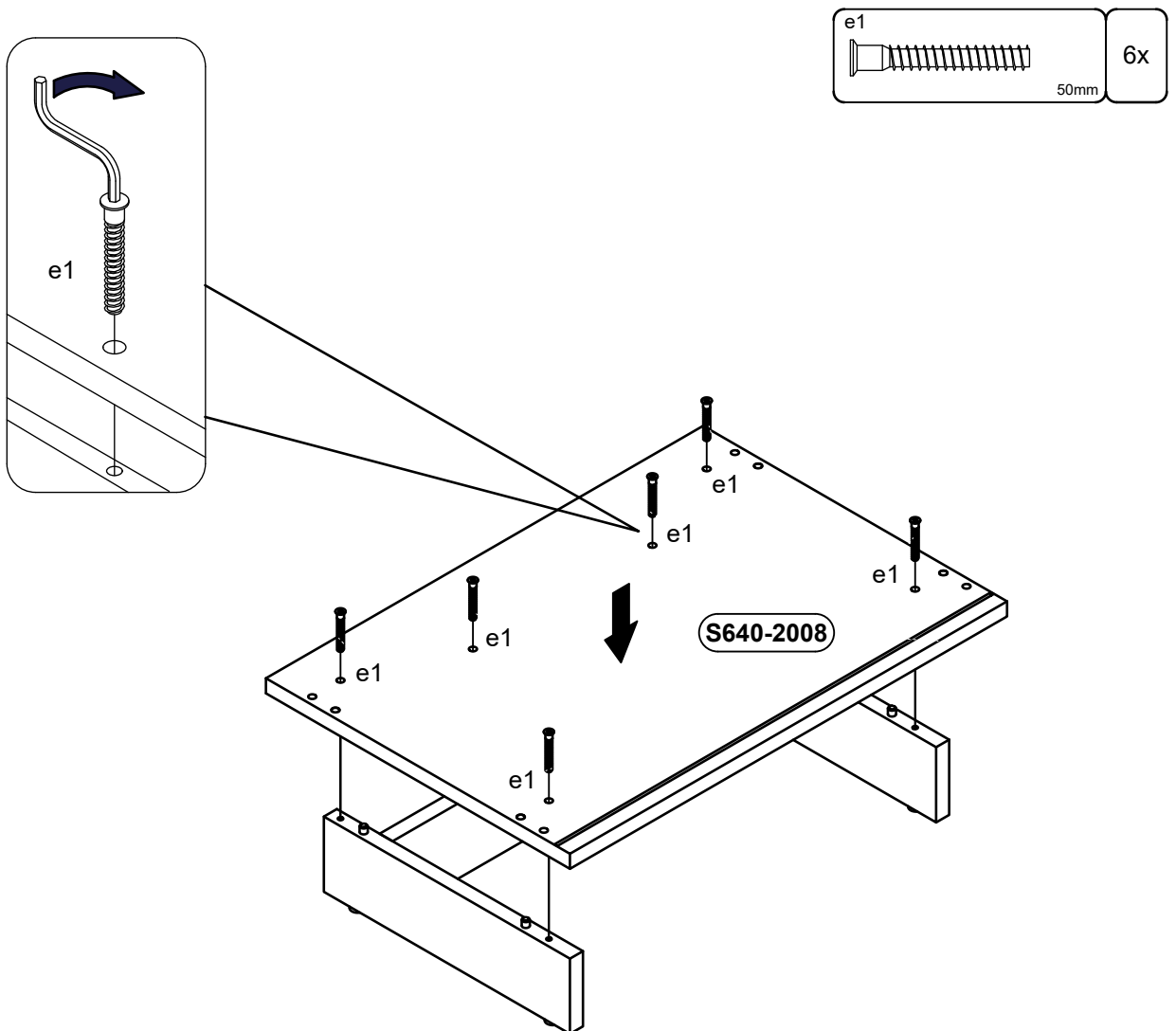
10



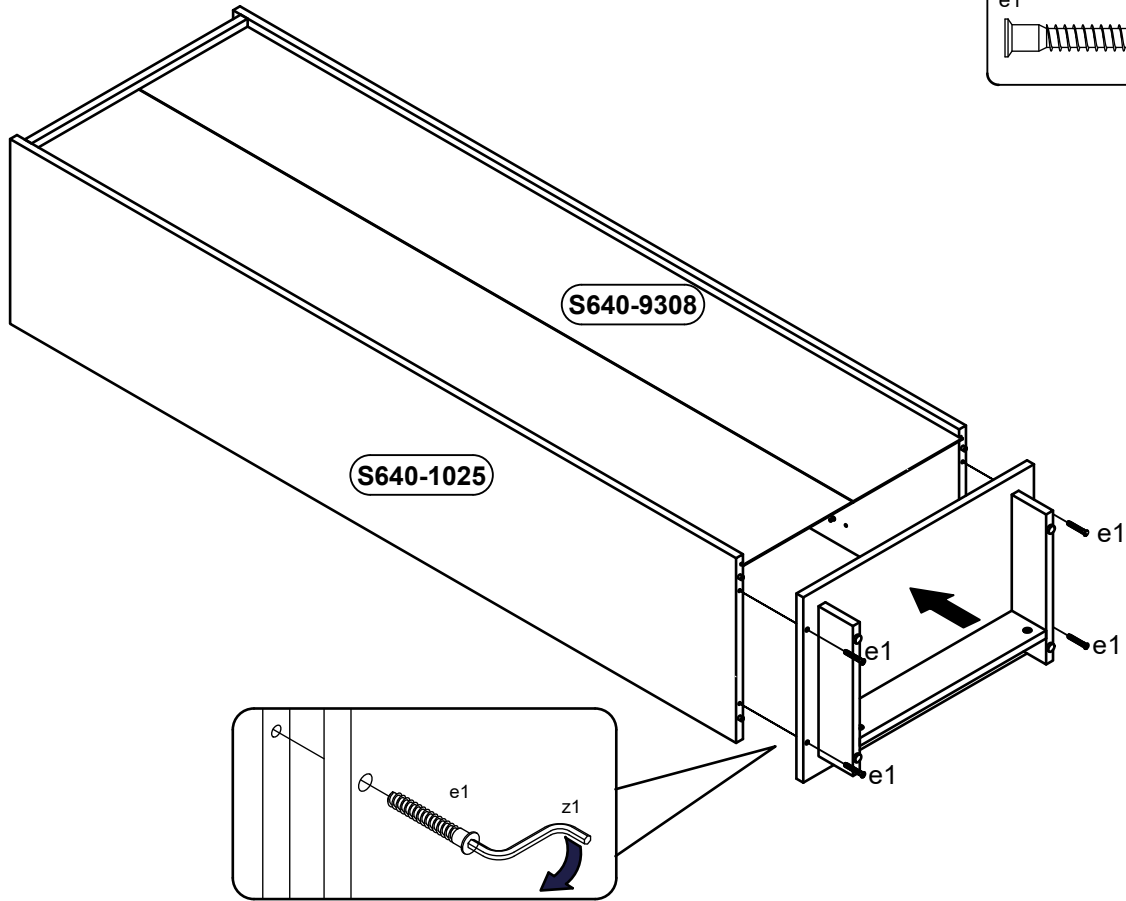
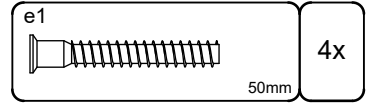
11



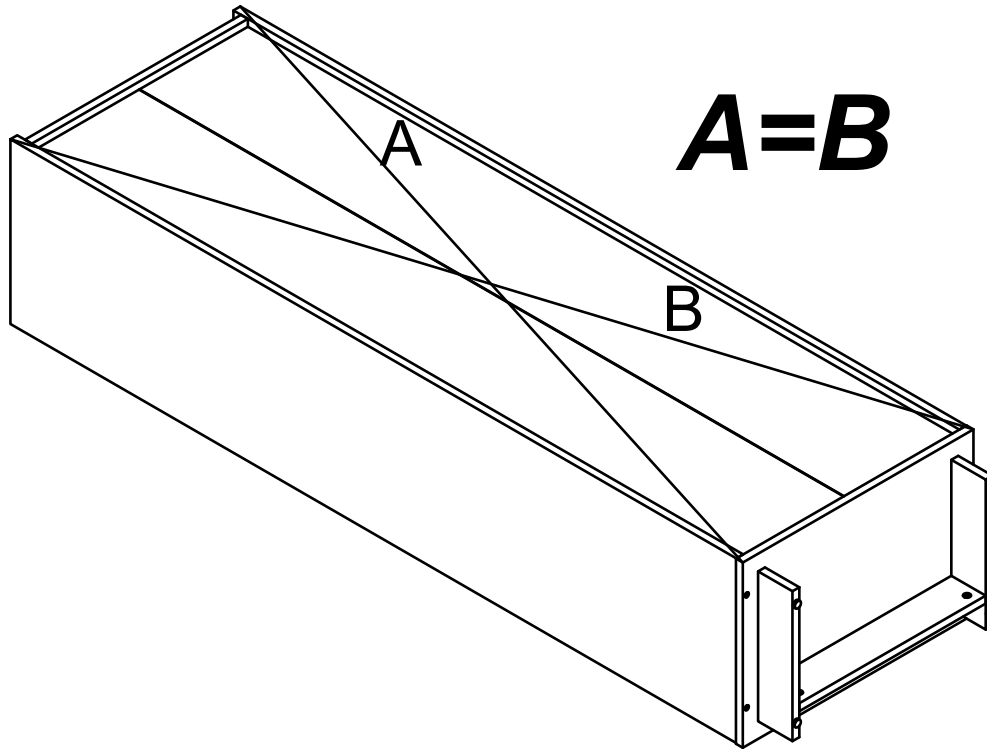
12




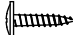
13

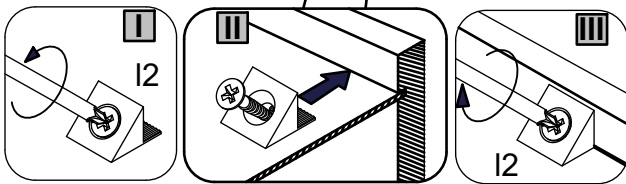
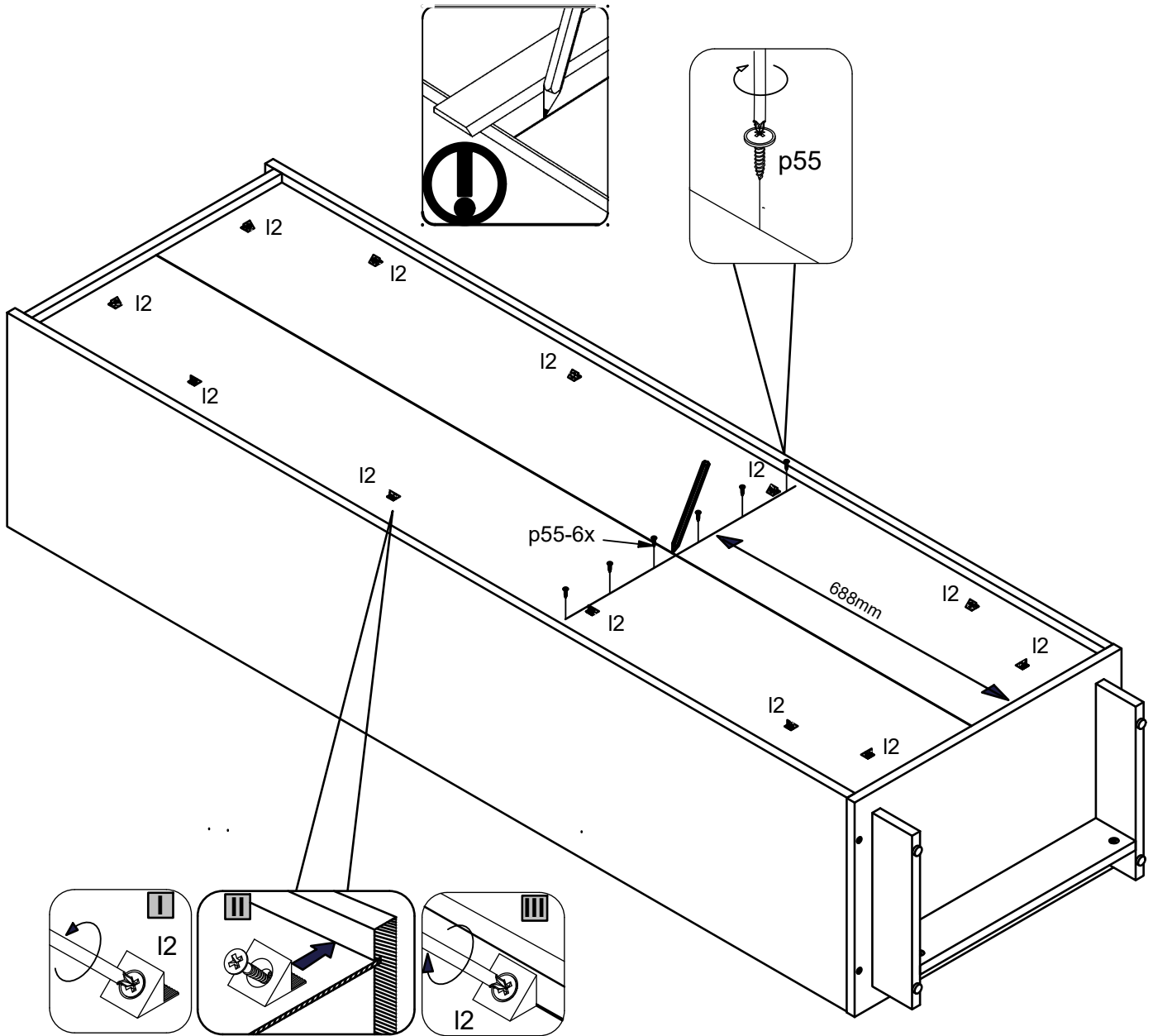


14





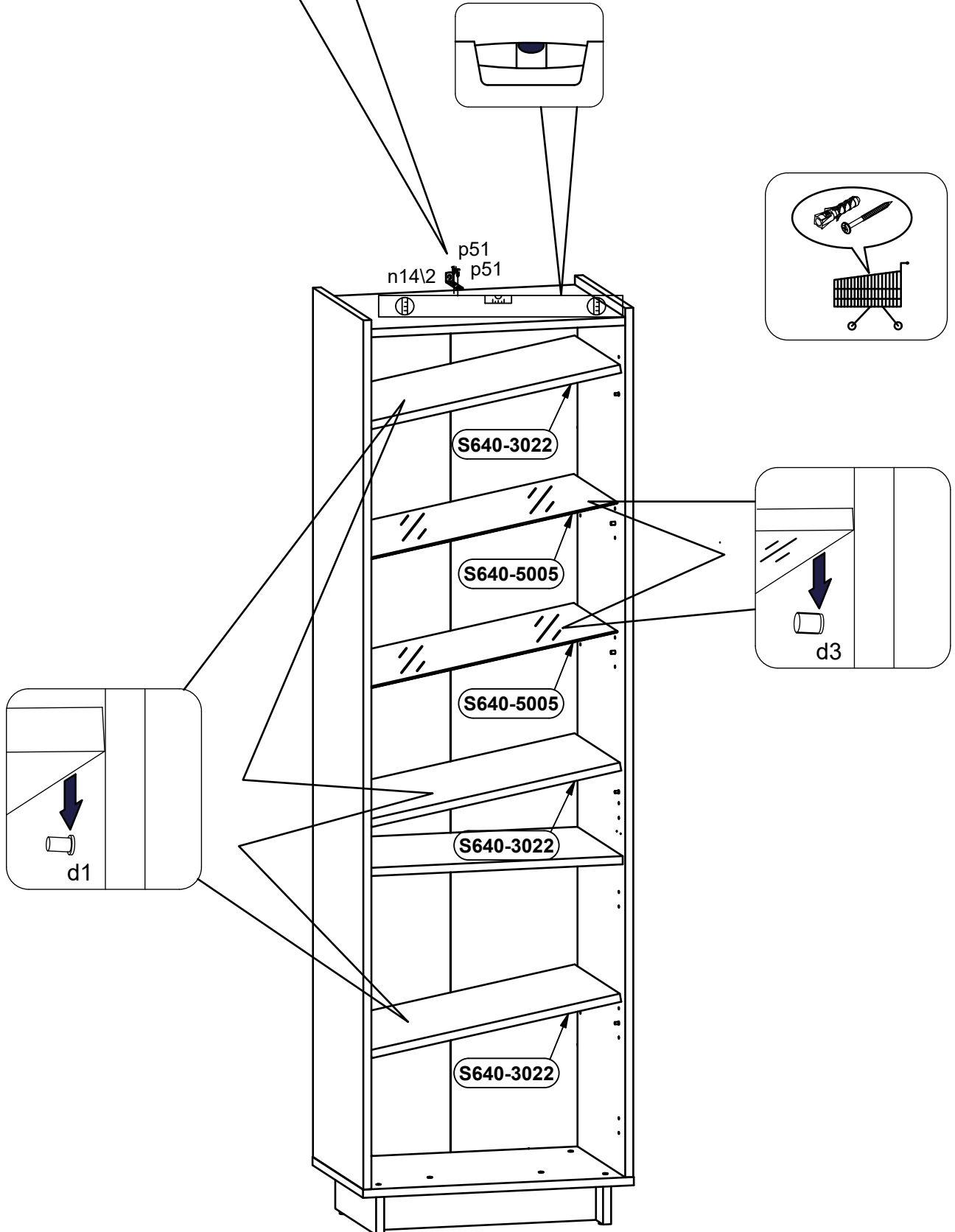
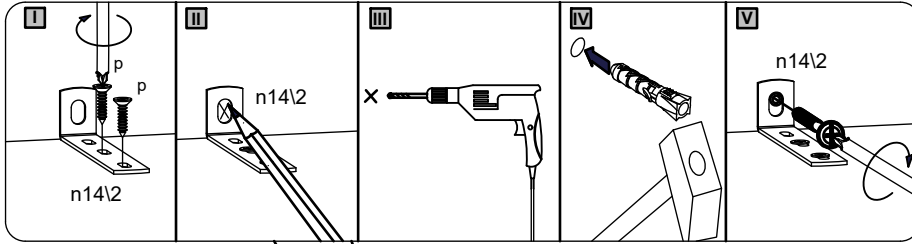
15

12 	12x	p55  Ø2.9x16 mm	6x
--	-----	---	----





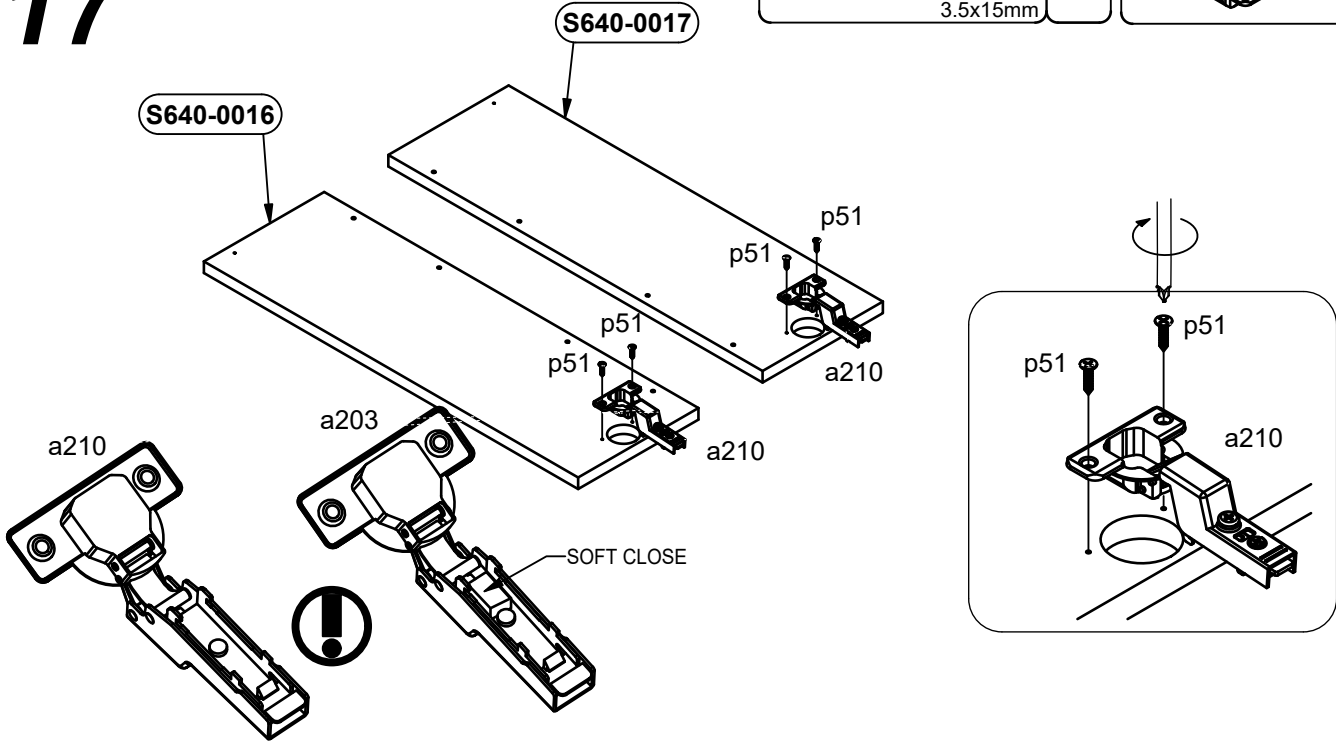
16

n14/2 	1x	p51 	3.5x15mm	2x
--	----	--	----------	----





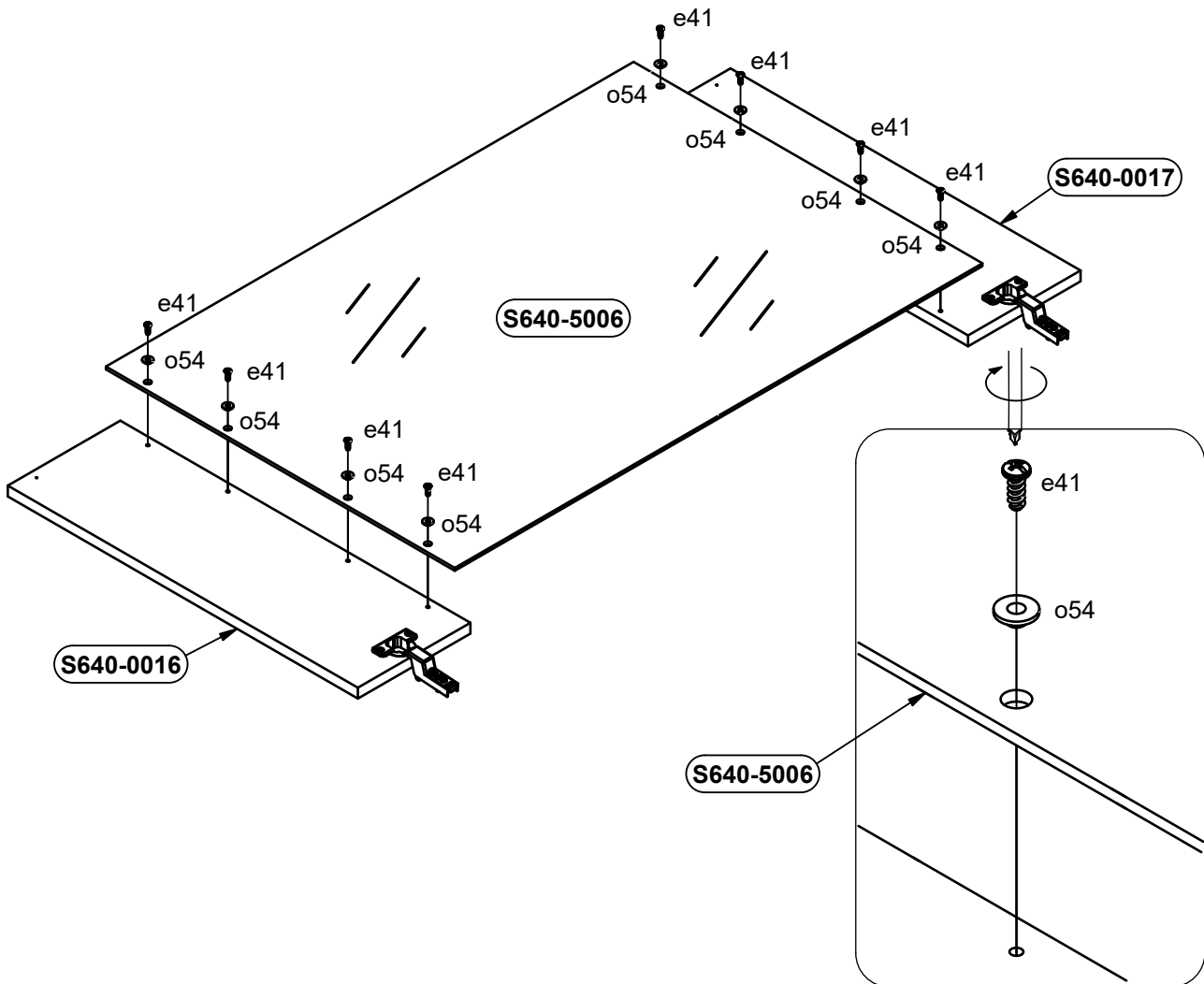
17

p51 	3.5x15mm	4x	a210 	2x
--	----------	----	---	----


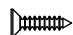



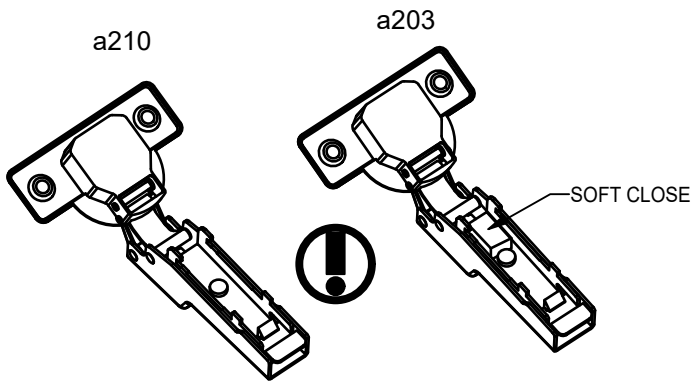
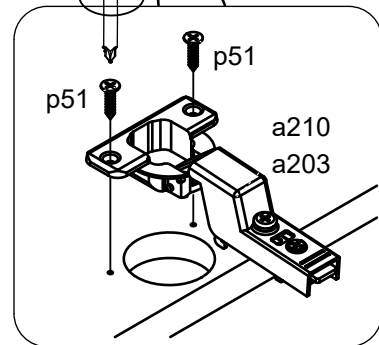
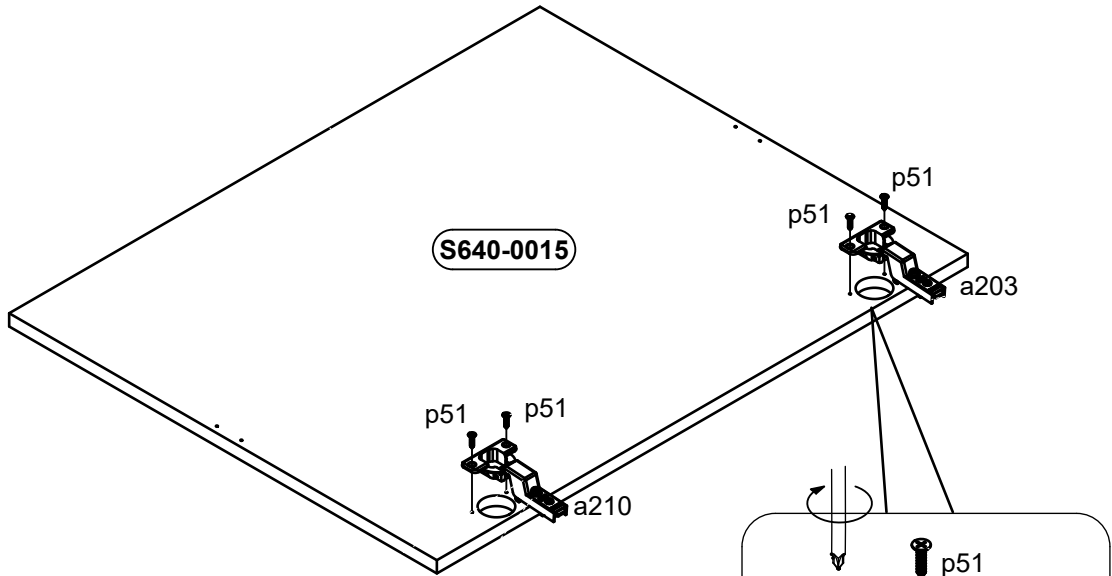
18

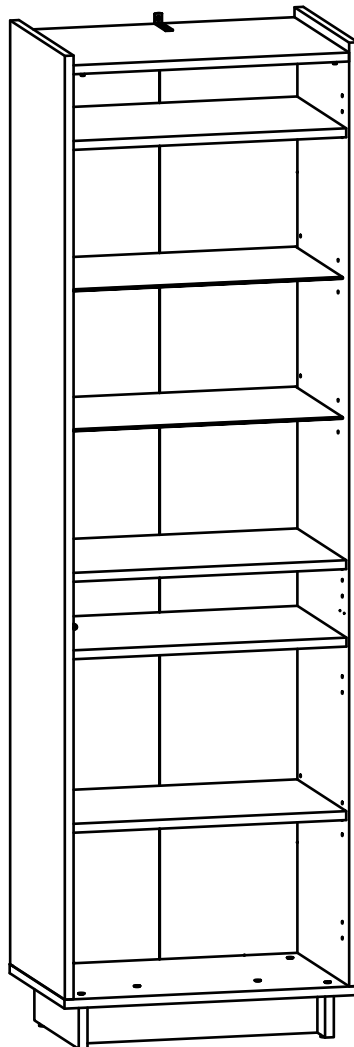
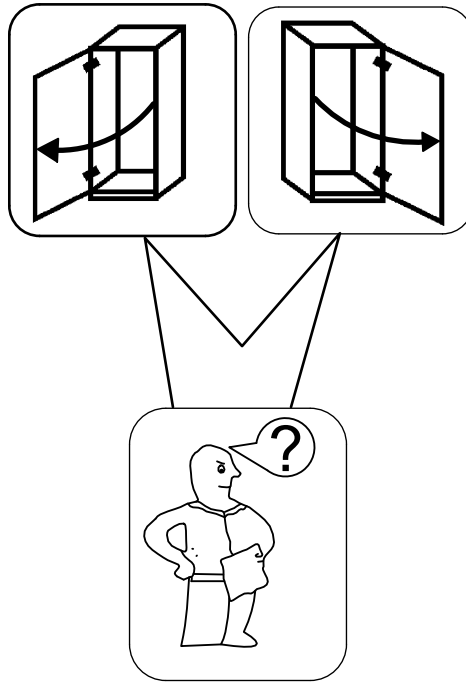
e41 	Ø5x12 mm	8x	o54 	8x
---	----------	----	---	----



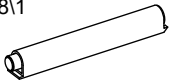



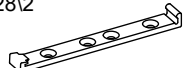
19

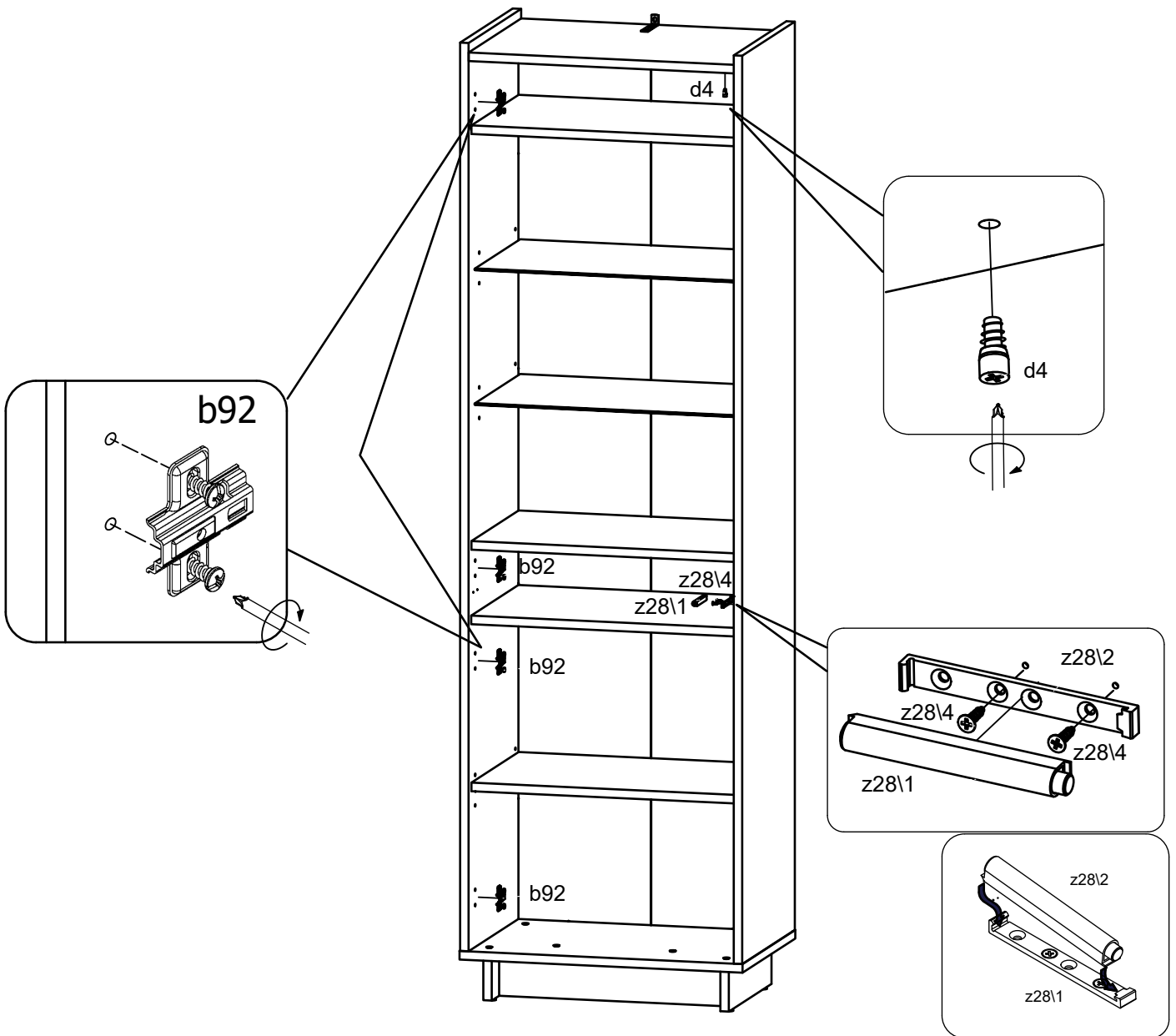
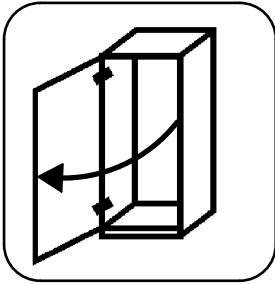
 <p>a210</p>	<p>1x</p>	 <p>p51</p> <p>3.5x15mm</p>	<p>4x</p>	 <p>a203</p>	<p>1x</p>
---	-----------	--	-----------	---	-----------



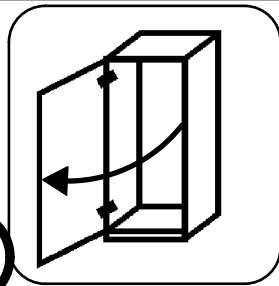


20

z28\1 	1x	b92 	4x	d4 	1x Ø6.3x15 mm
z28\4 	2x 3x12mm	z28\2 	1x		



21

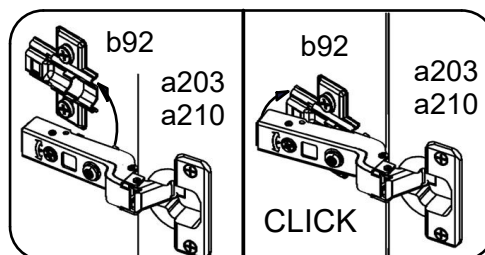
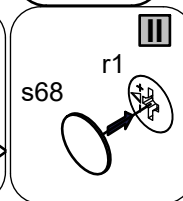
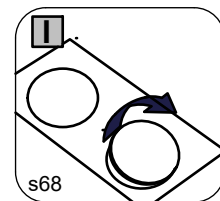
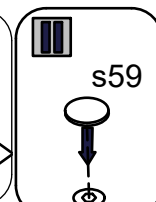
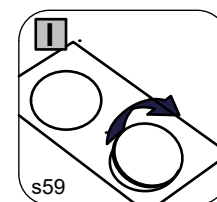
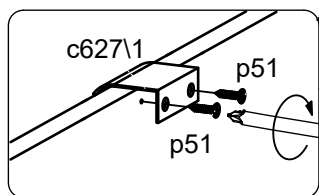
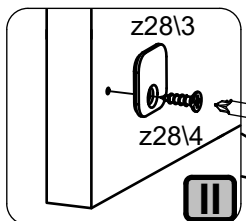
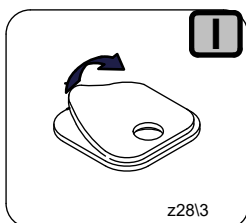
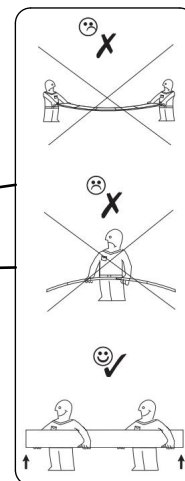


c627\1 L-50mm 1x	z28\4 3x12mm 1x	z28\3 1x
p51 3.5x15mm 2x	s59 Ø14mm 6x	s68 Ø20mm 8x
		c627\1 L-50mm 1x

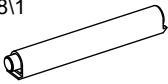


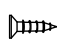
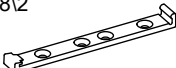
S640-0017

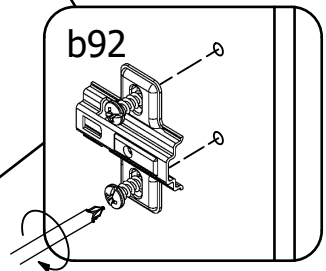
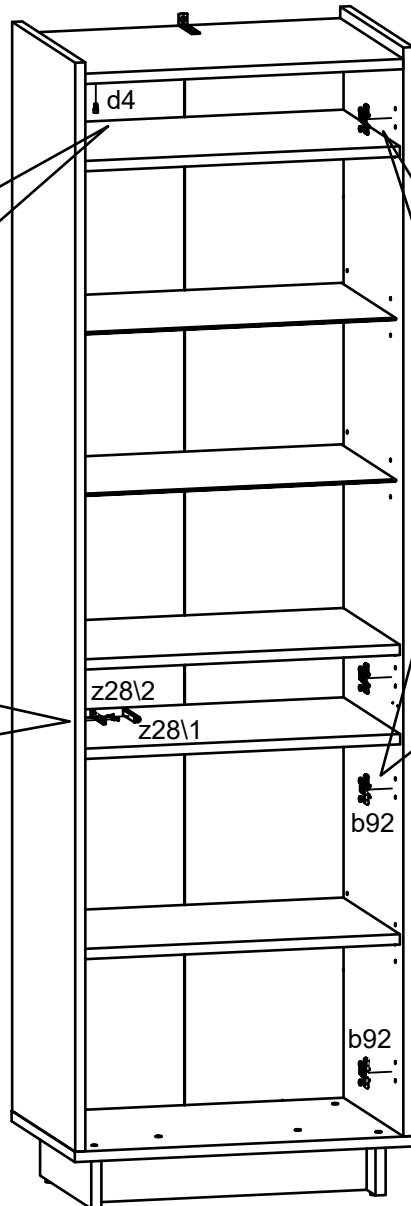
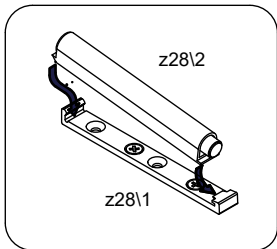
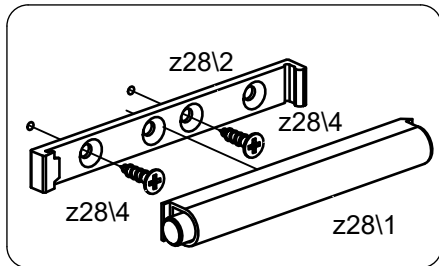
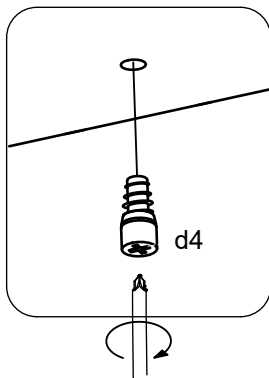
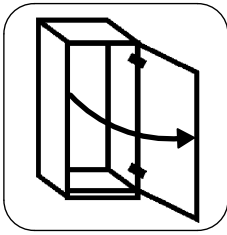
S640-5006

S640-0015



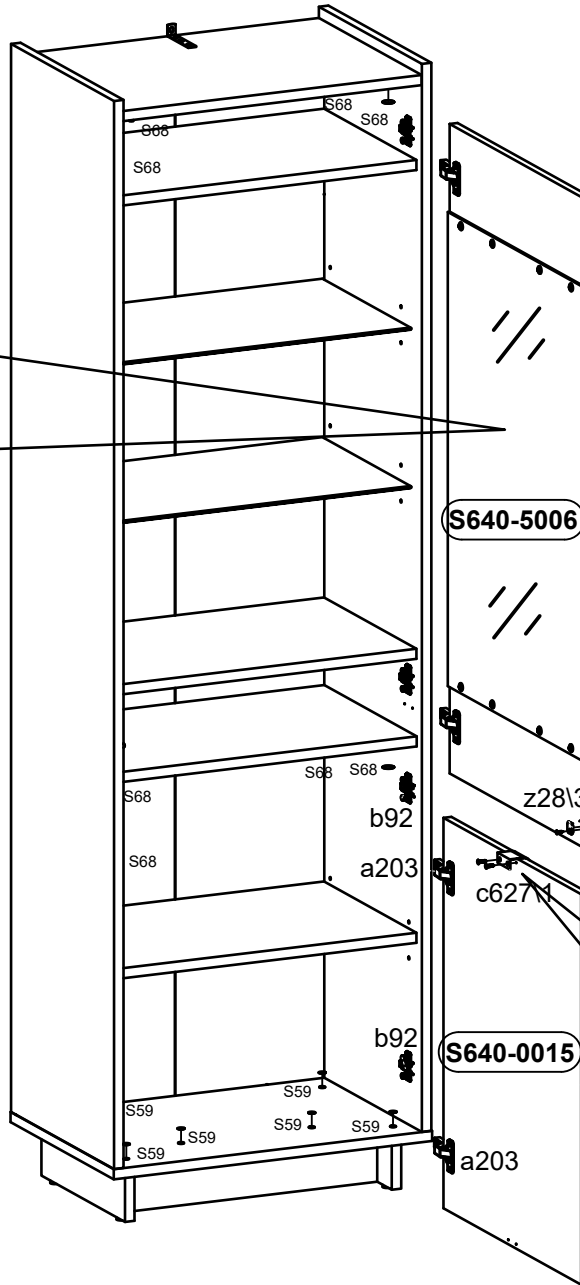
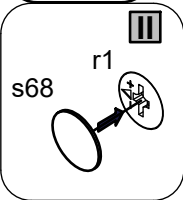
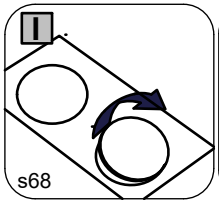
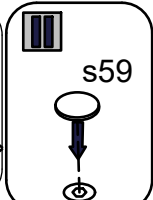
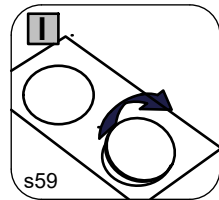
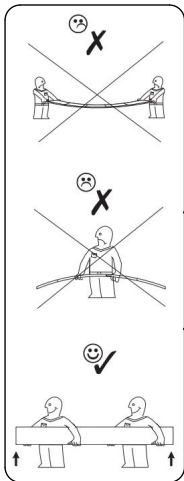
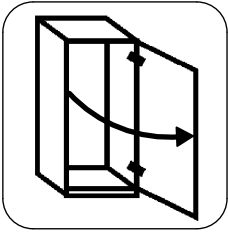
22

z28\1 	1x	b92 	4x	d4  Ø6.3x15 mm	1x
z28\4  3x12mm	2x	z28\2 	1x		

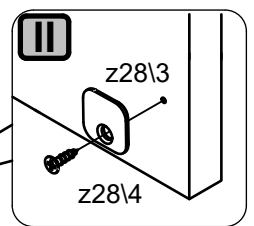
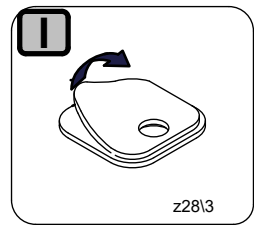


23

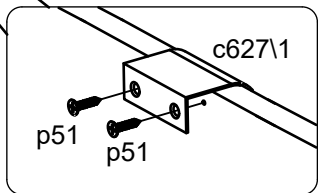
c627\1 L-50mm 1x	z28\4 3x12mm 1x	z28\3 1x
p51 3.5x15mm 2x	s59 Ø14mm 6x	s68 Ø20mm 8x
		c627\1 L-50mm 1x



S640-0016



S640-0017



S640-5006

S640-0015

