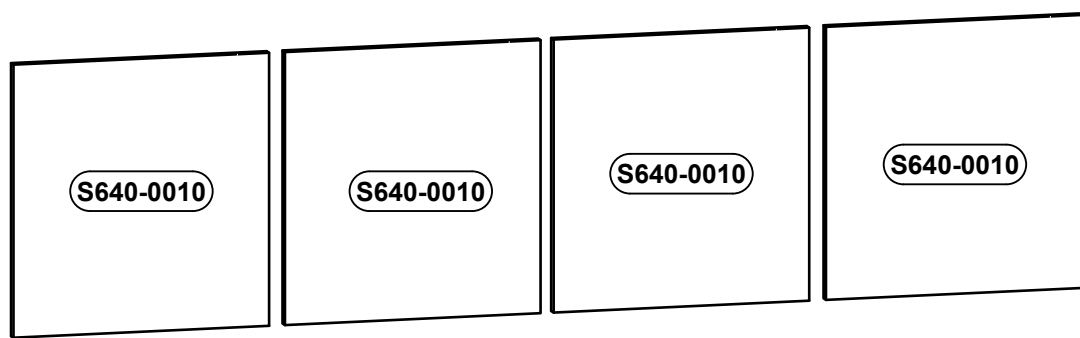
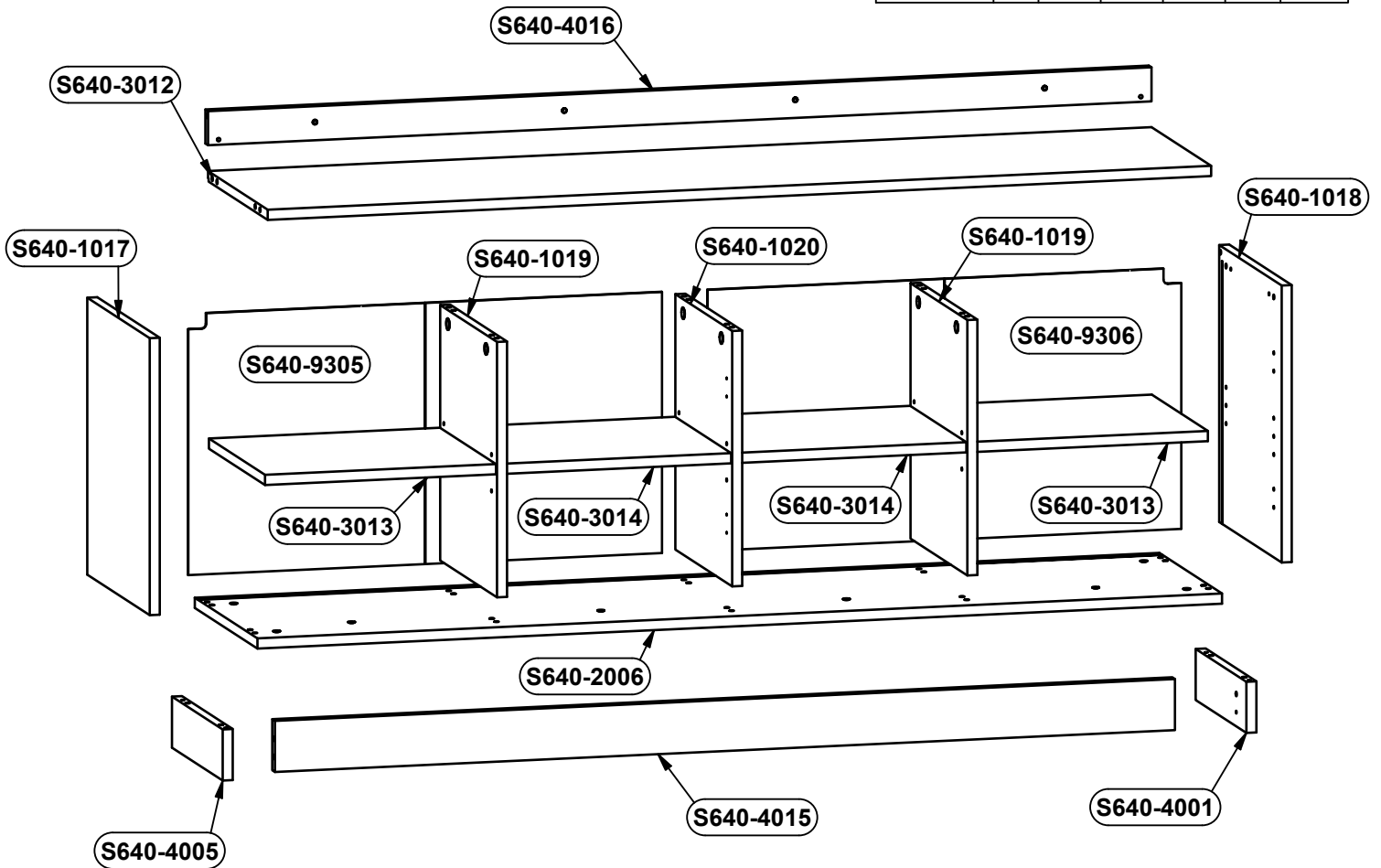
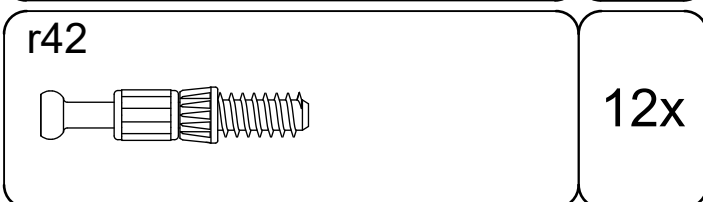
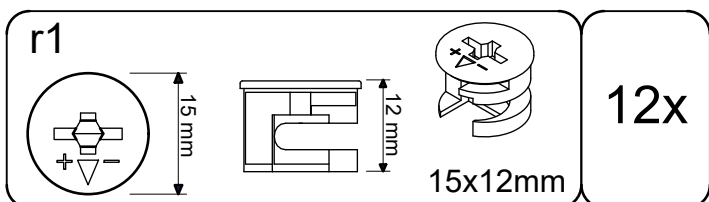
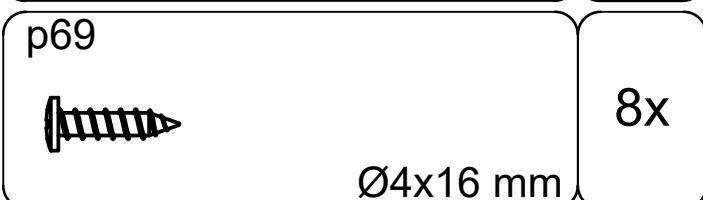
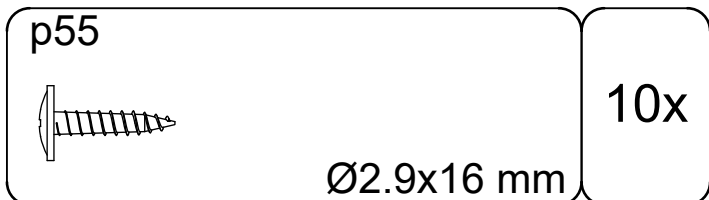
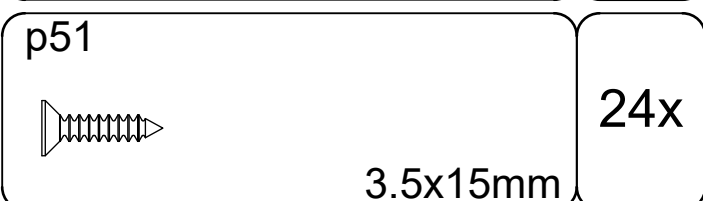
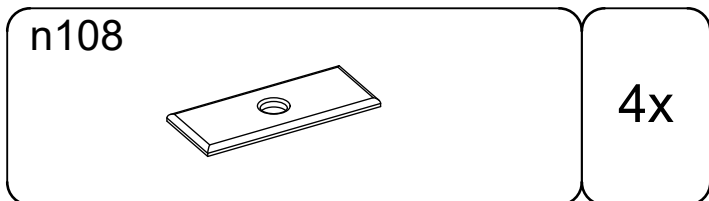
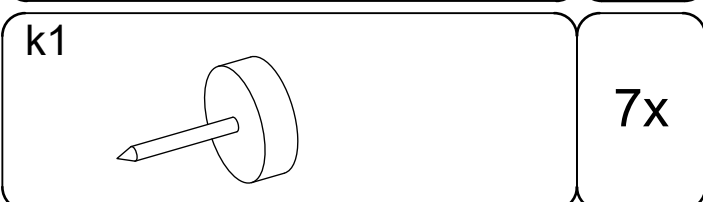
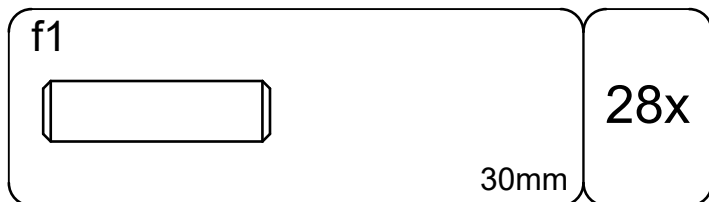
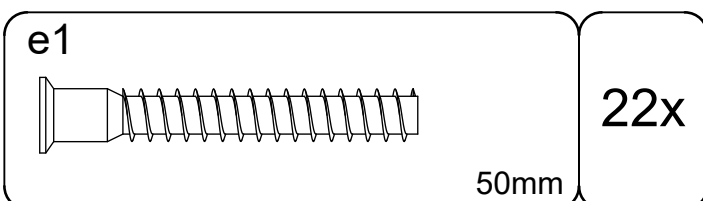
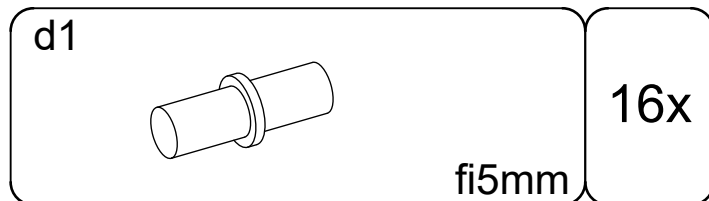
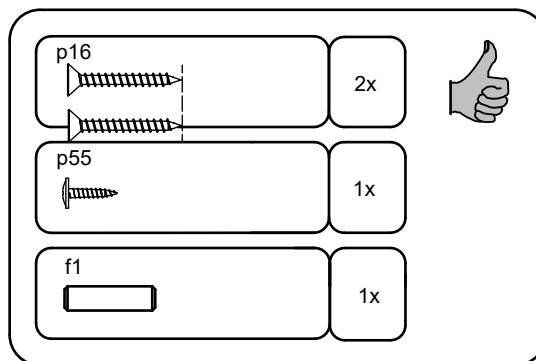
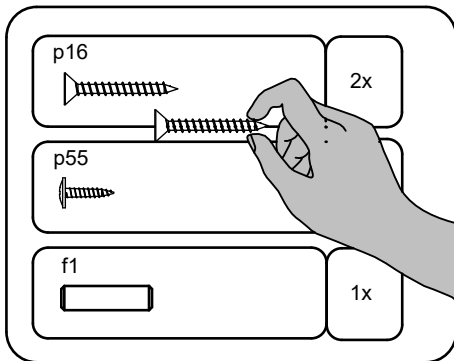


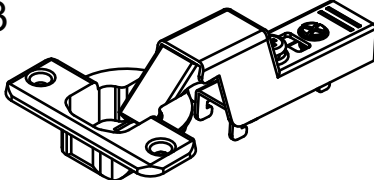
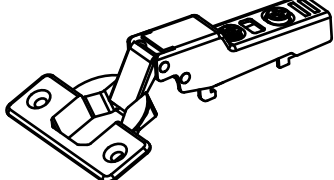
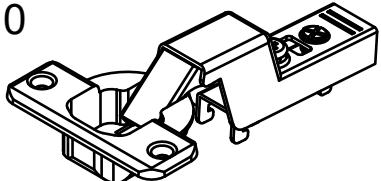
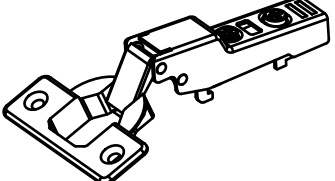
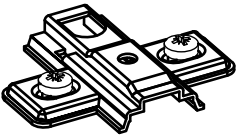
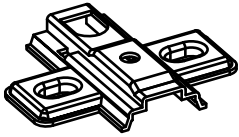
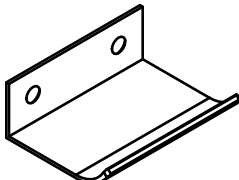
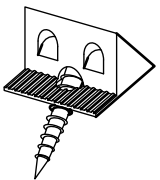
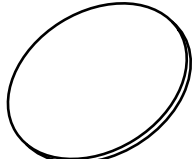

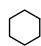
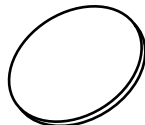
	B1	B2	C1	C2	C3	C4	D
S640-0010	-1	440	420	15	4	2\2	
S640-1017	-1	488	419	18	1	1\2	
S640-1018	-1	488	419	18	1	1\2	
S640-1019	-1	450	381	18	2	1\2	
S640-1020	-1	450	381	18	1	1\2	
S640-2006	-1	1733	420	18	1	2\2	
S640-3012	-1	1695	400	18	1	2\2	
S640-3013	-1	415	376	18	2	1\2	
S640-3014	-1	404	376	18	2	1\2	
S640-4001	-5	340	90	18	1	2\2	
S640-4005	-5	340	90	18	1	2\2	
S640-4015	-1	1617	90	18	1	2\2	
S640-4016	-1	1695	60	18	1	2\2	
S640-9305	-2	460	851	2,5	1	1\2	
S640-9306	-1	460	851	2,5	1	1\2	
a210	-1					2	
a212	-1					2	

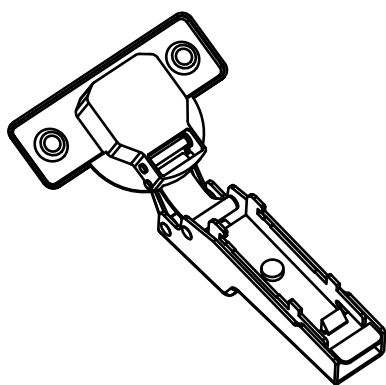
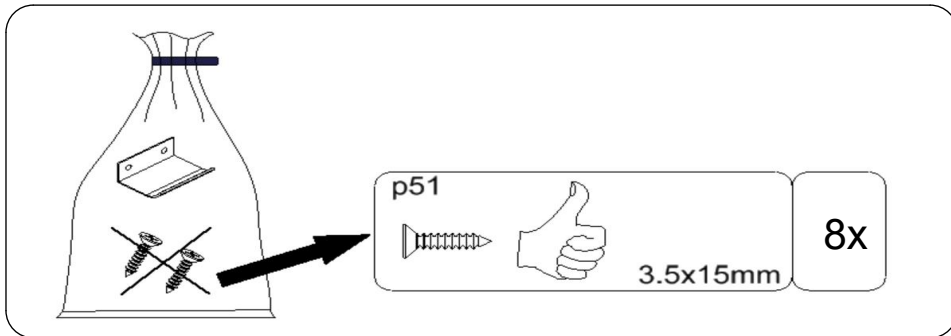
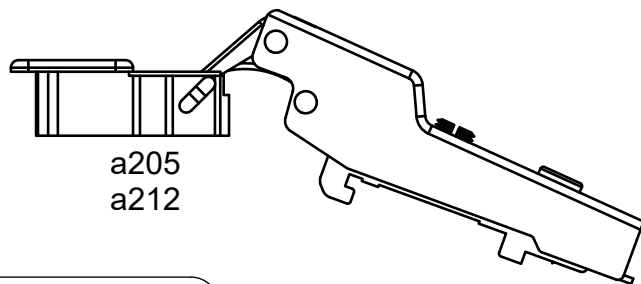
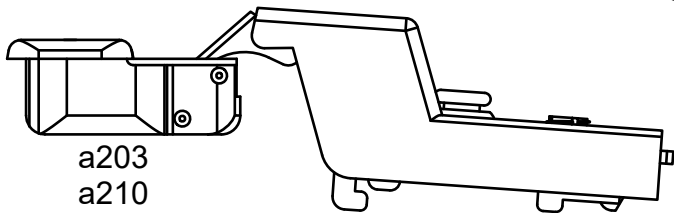


1:1

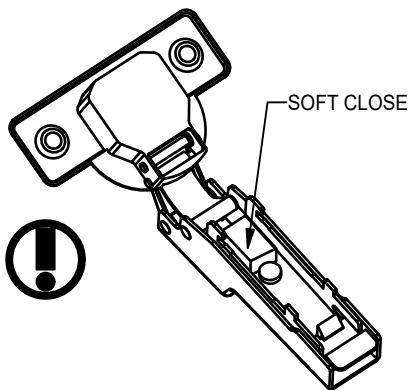


~~1:1~~

a203 	2x	a205 	2x
a210 	2x	a212 	2x
b92 	4x	b92\3 	4x
c627\1 	4x	l2 	6x
s68  Ø20mm	6x	z1   3mm	1x
s59  Ø14mm	8x		

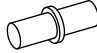
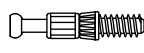
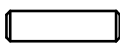



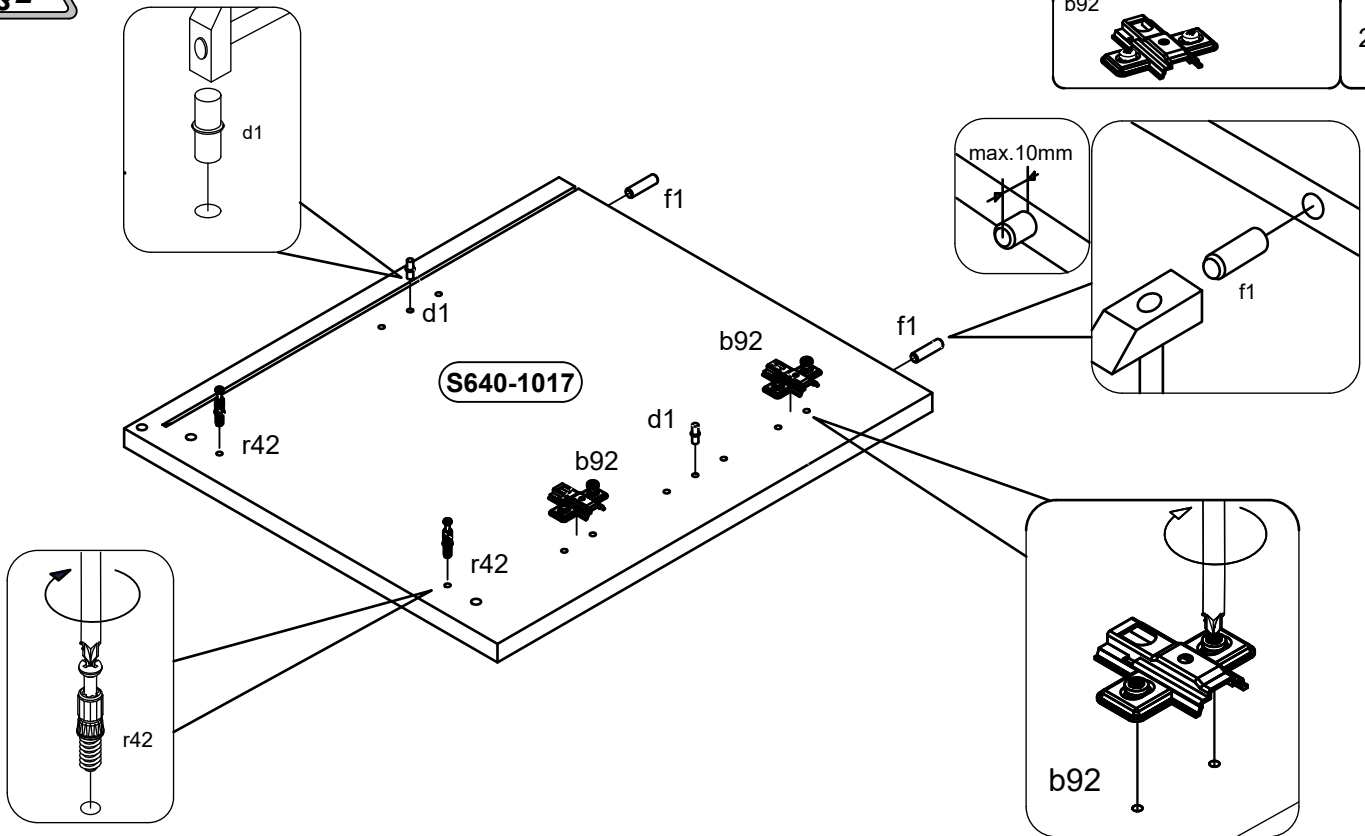
a210
a212

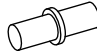
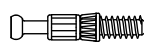
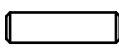



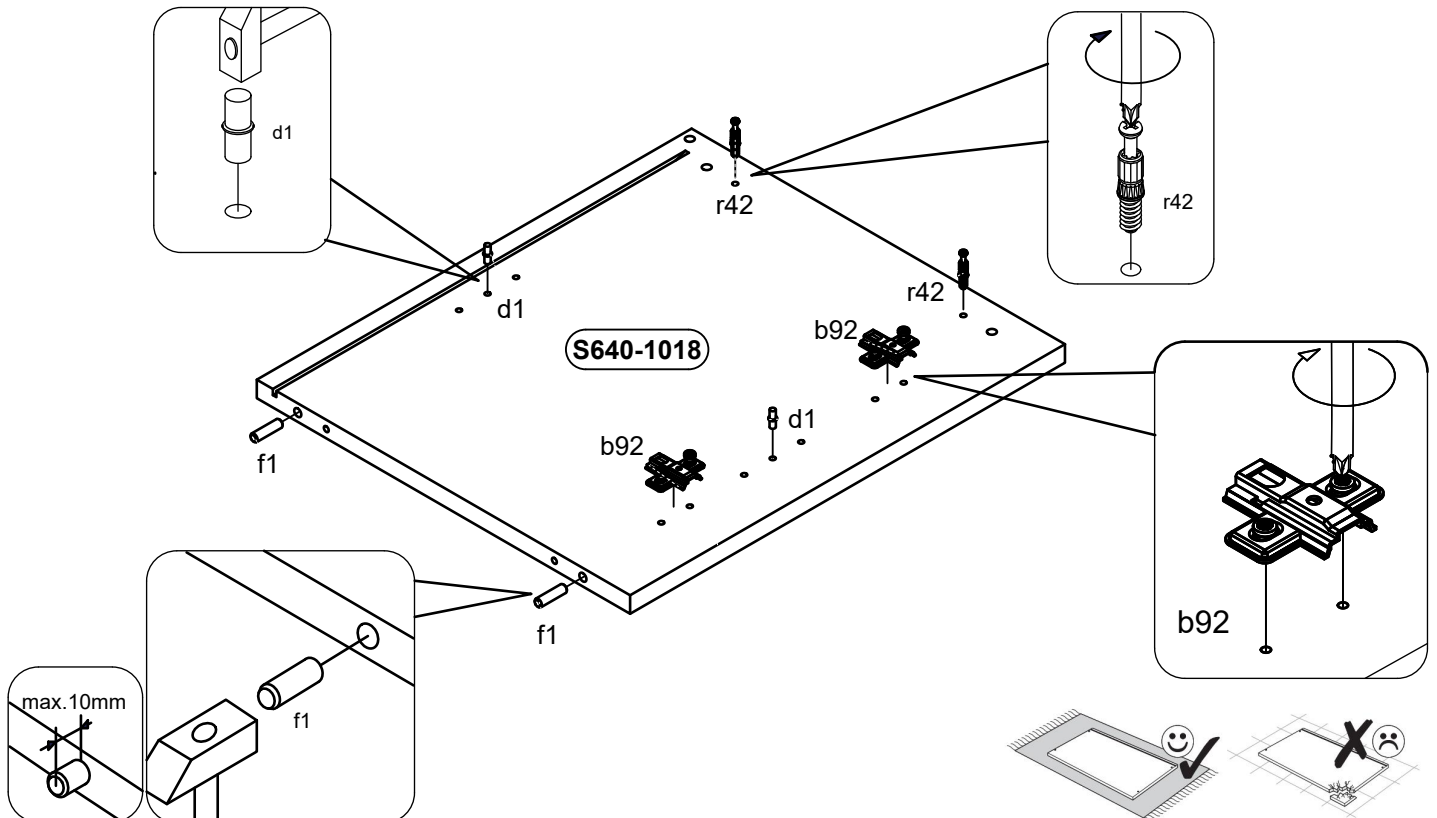
a203
a205

1 


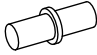
d1  fi5mm	2x	r42 	2x	f1  30mm	2x
b92 					2x

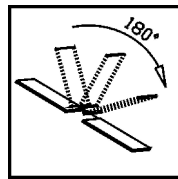
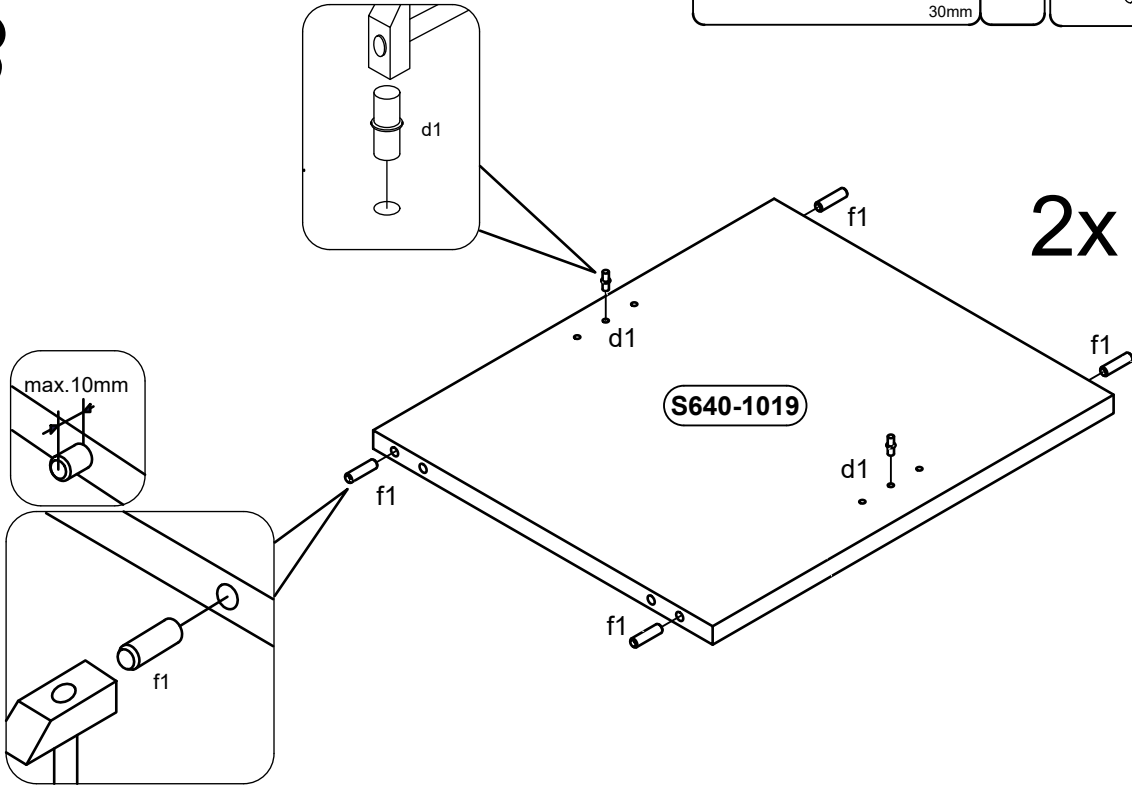
**2**

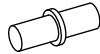
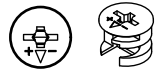
d1  fi5mm	2x	r42 	2x	f1  30mm	2x
b92 					2x



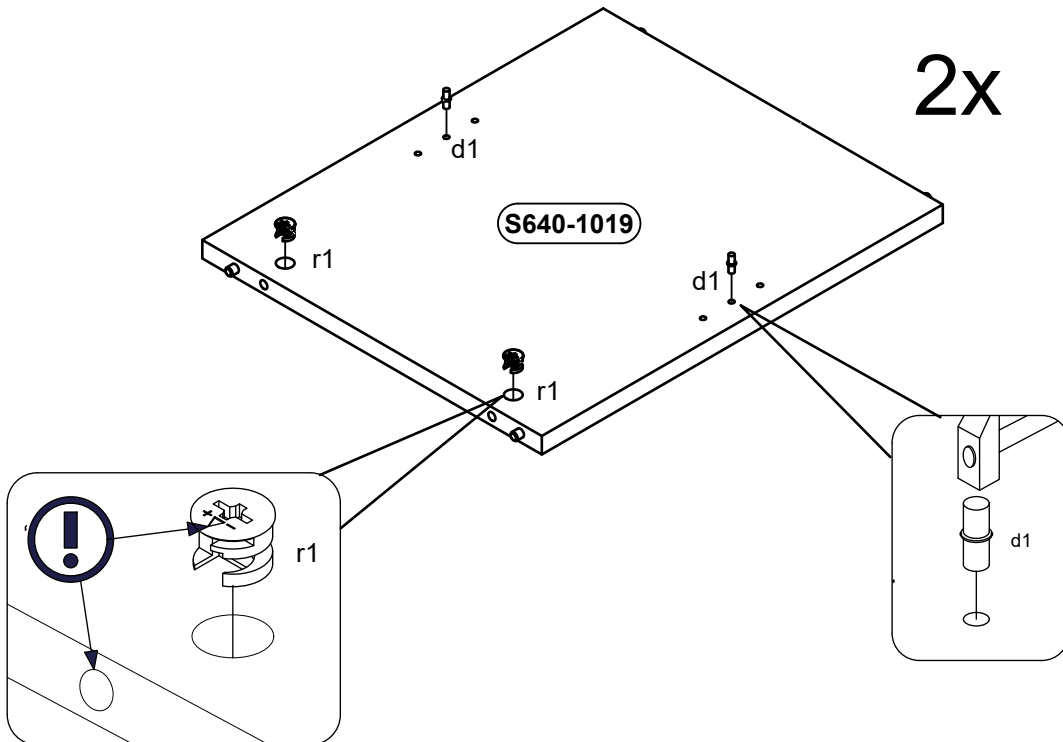
3

f1  30mm	8x	d1  fi5mm	4x
---	----	--	----

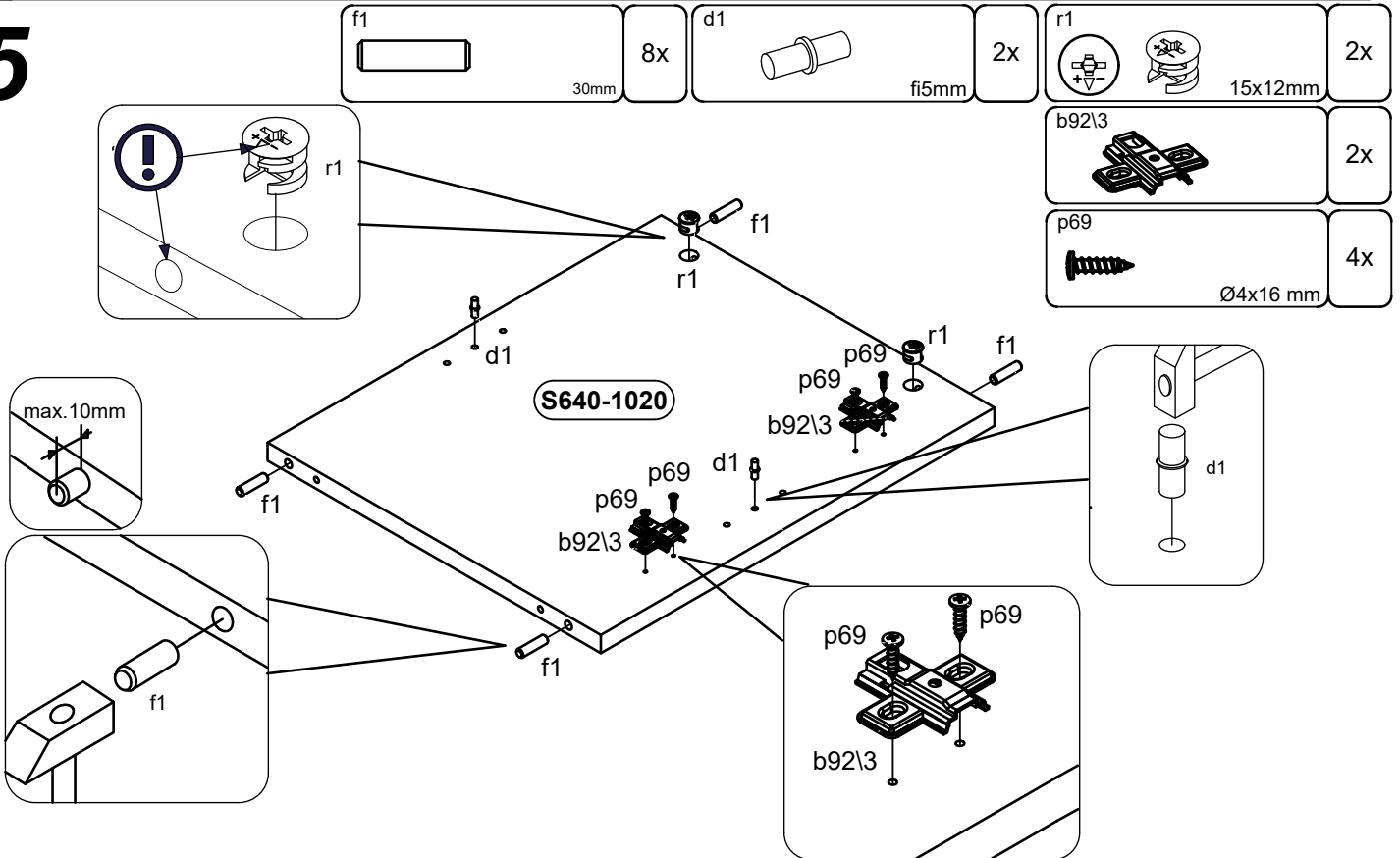


d1  fi5mm	4x	r1  15x12mm	4x
--	----	--	----

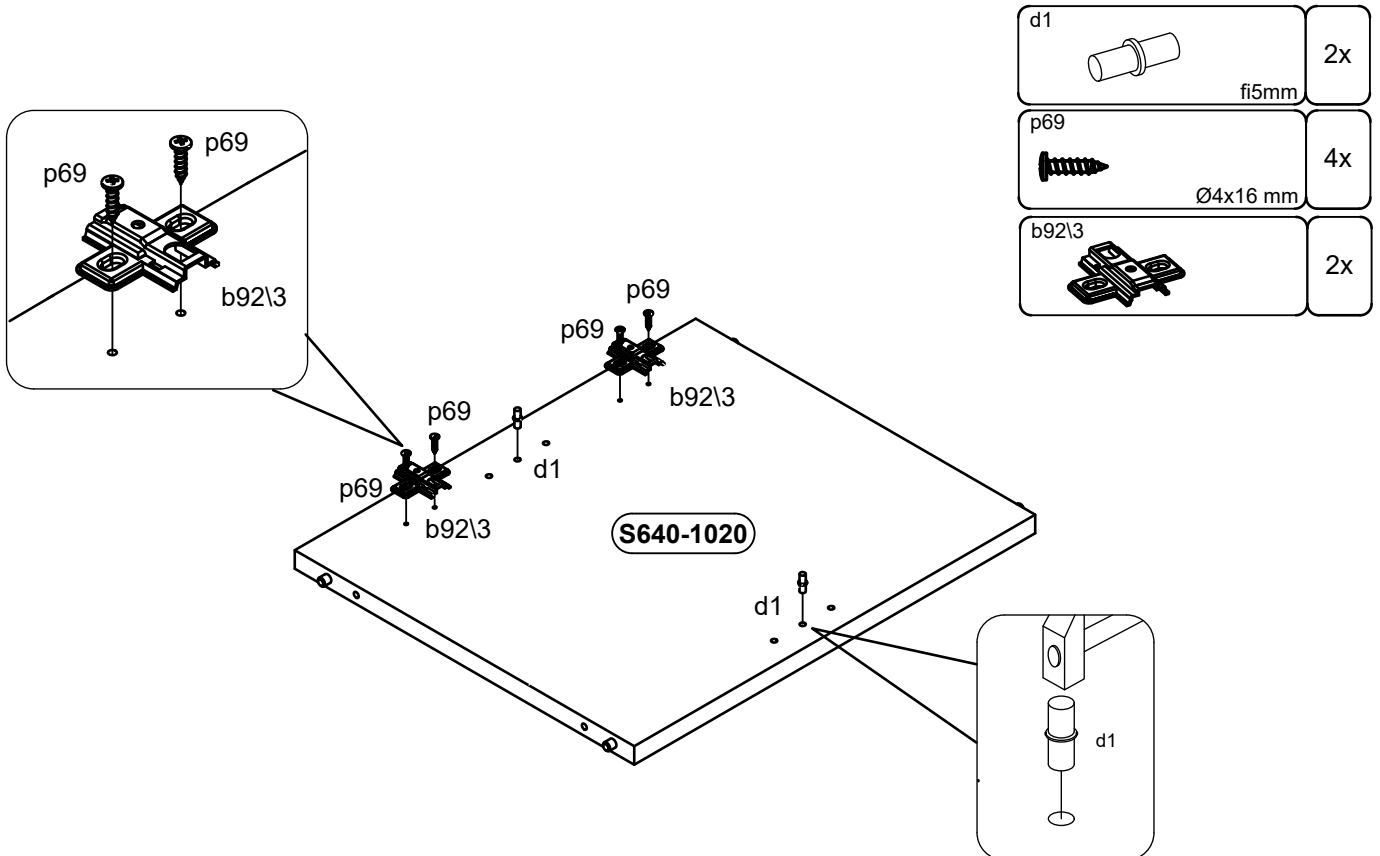
4

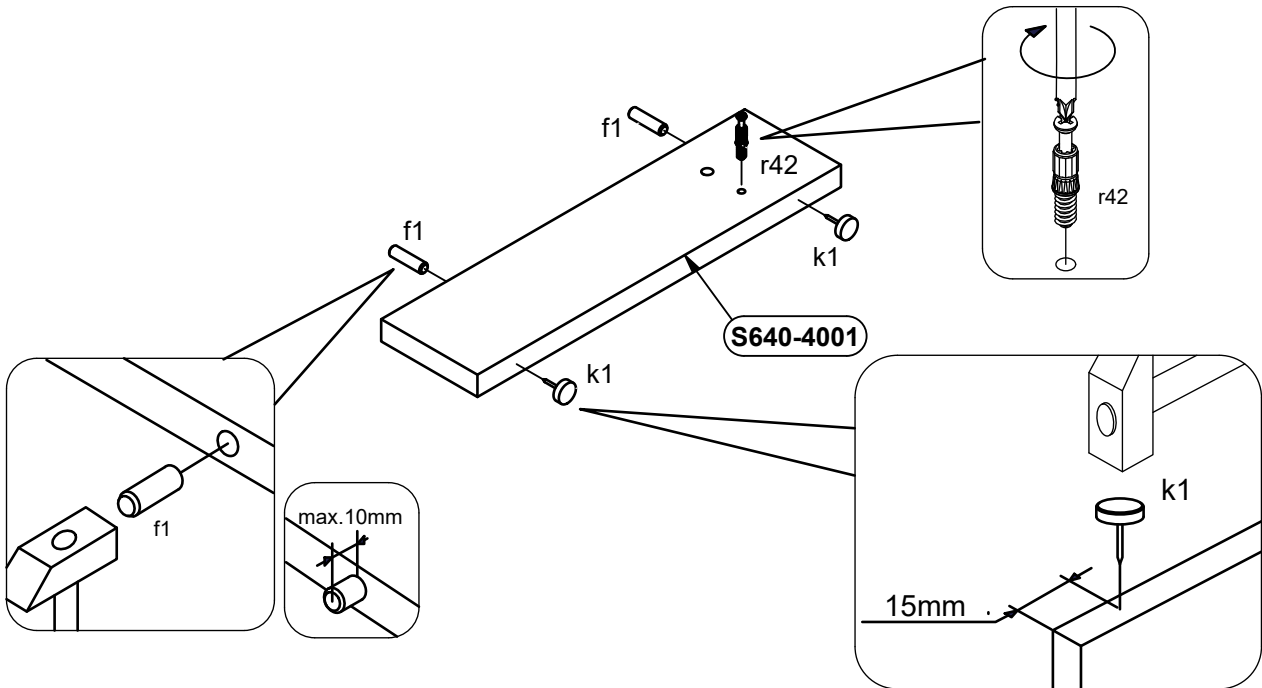
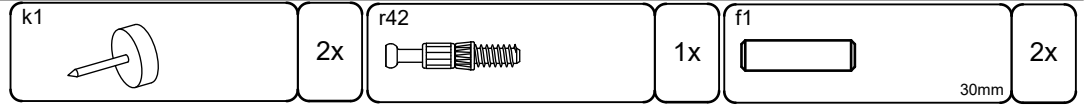
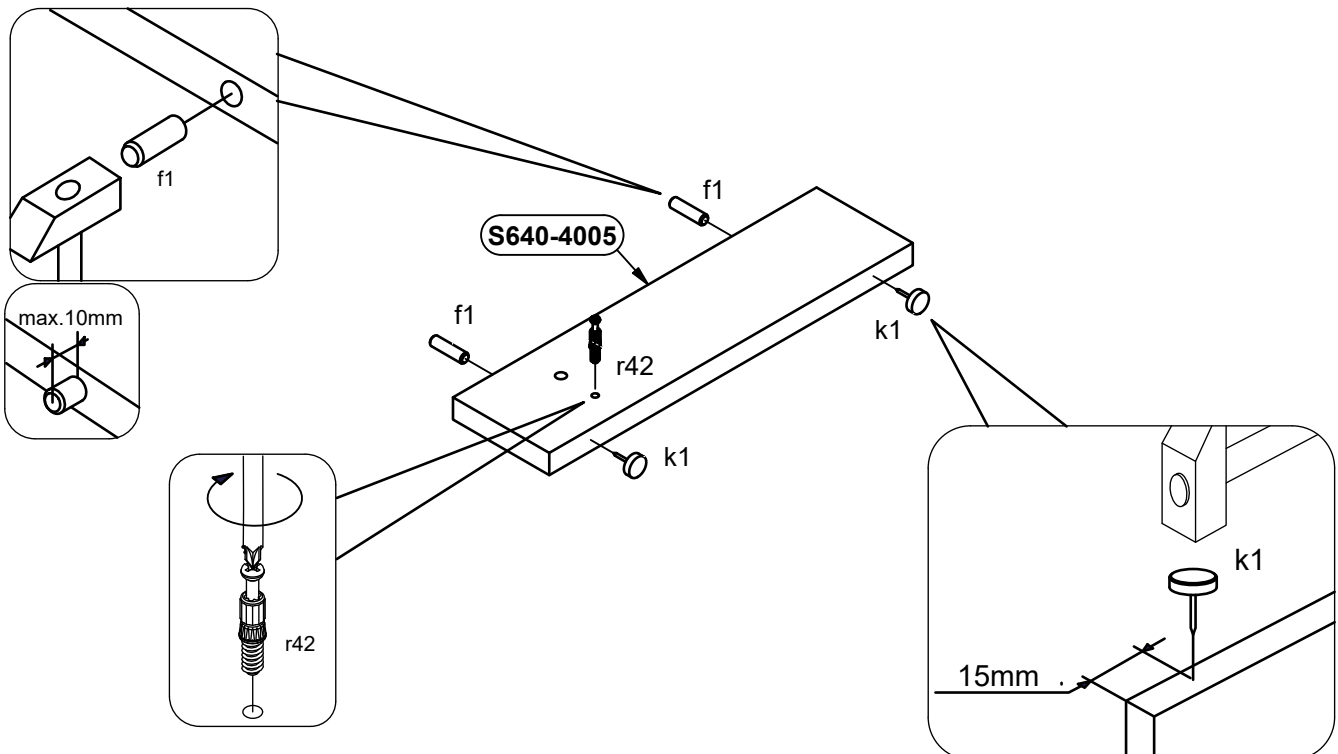
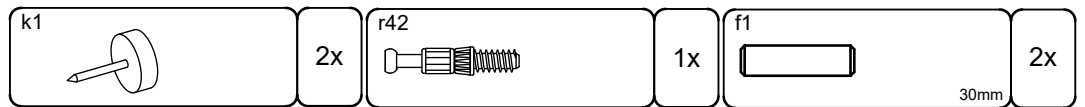


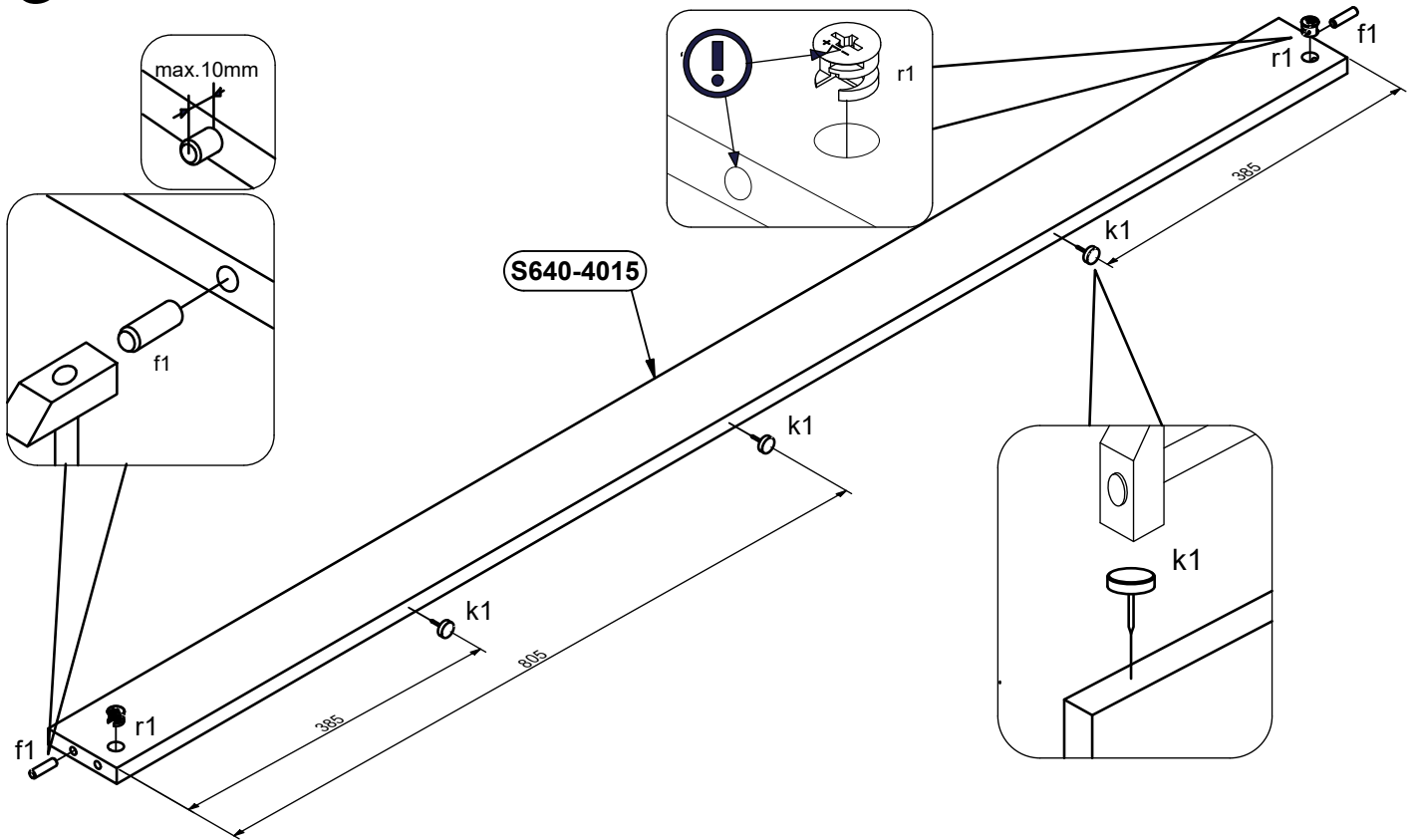
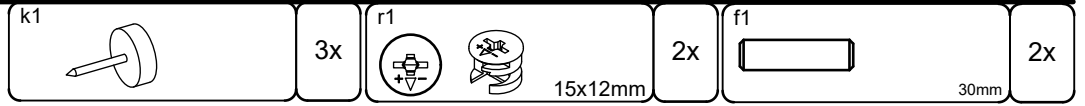
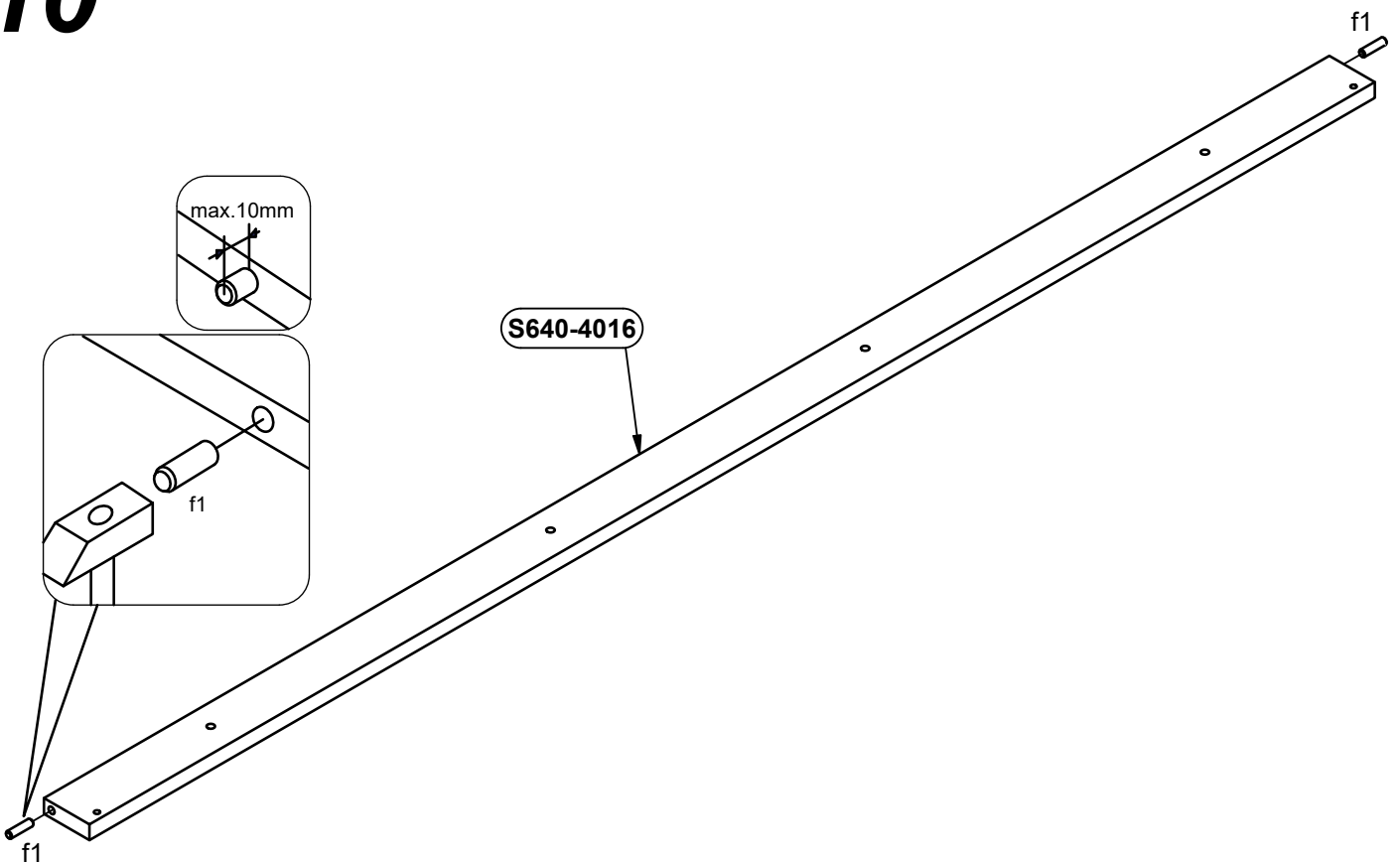
5

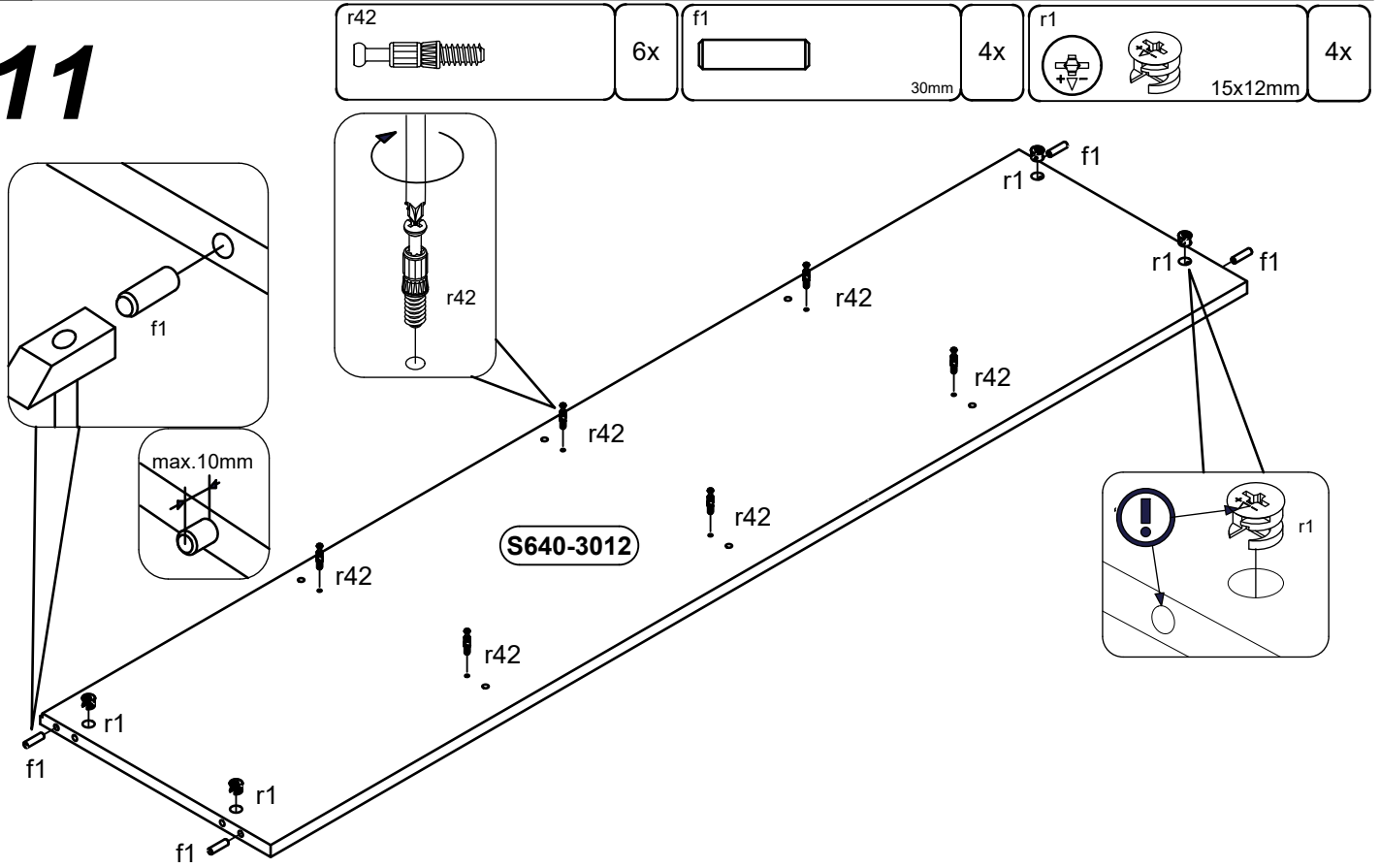
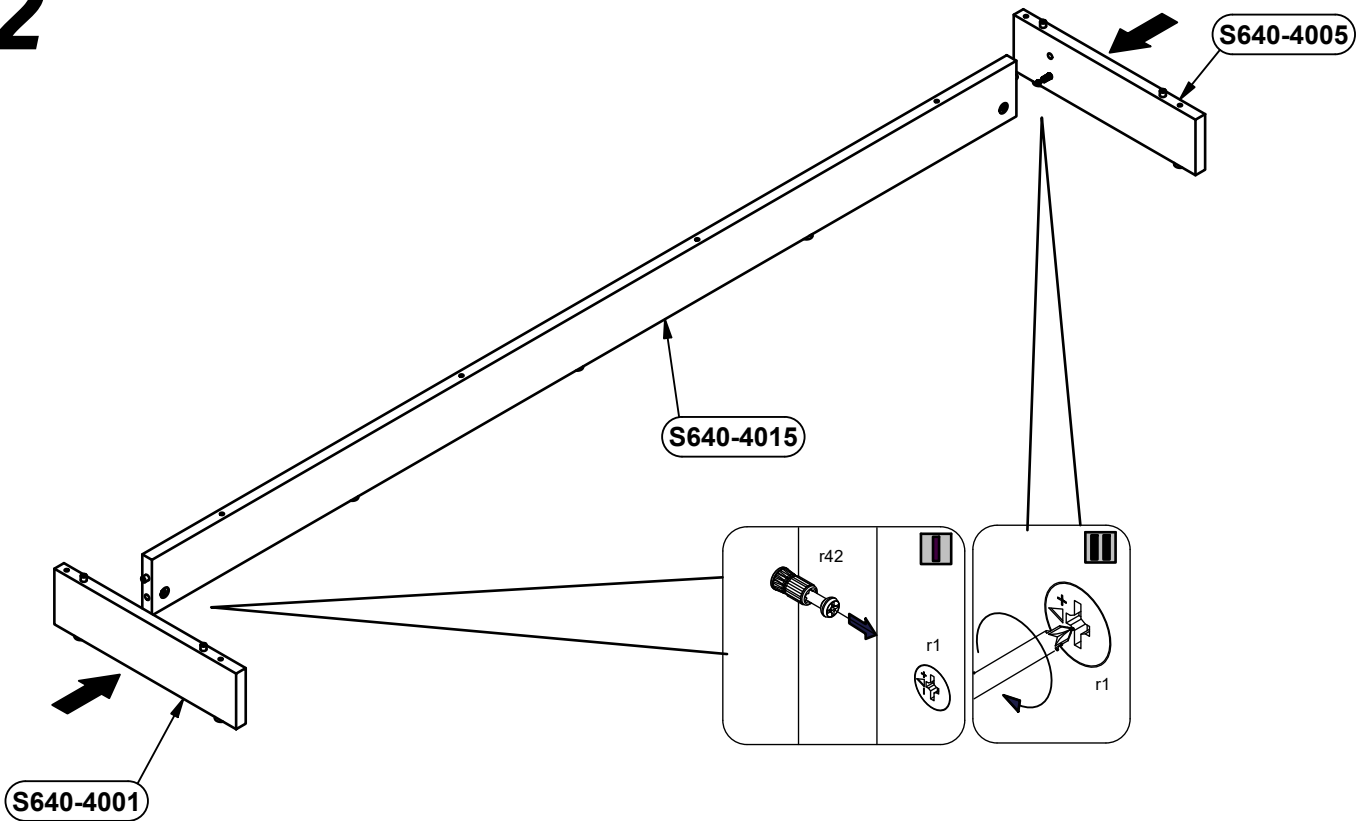


6

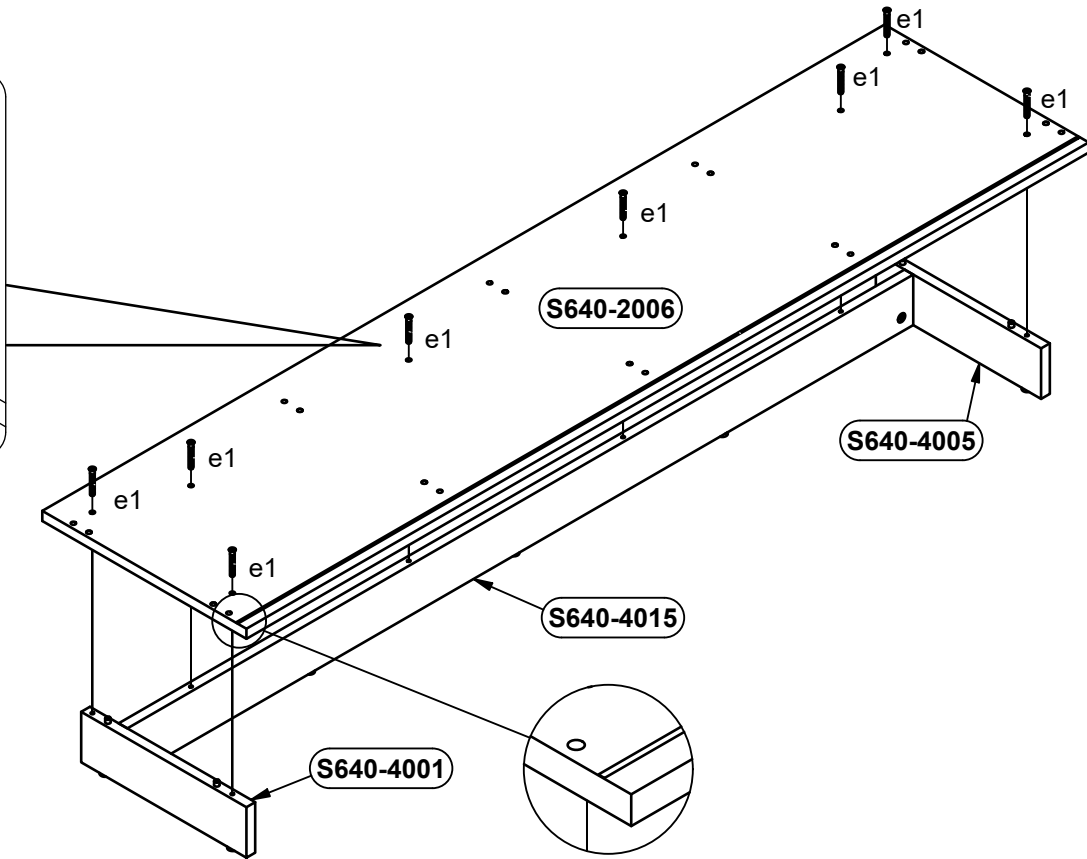
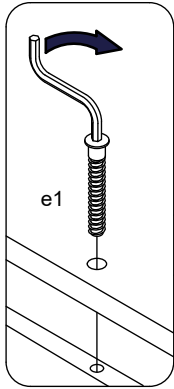
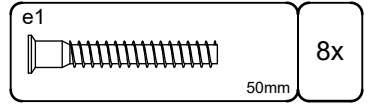


7**8**

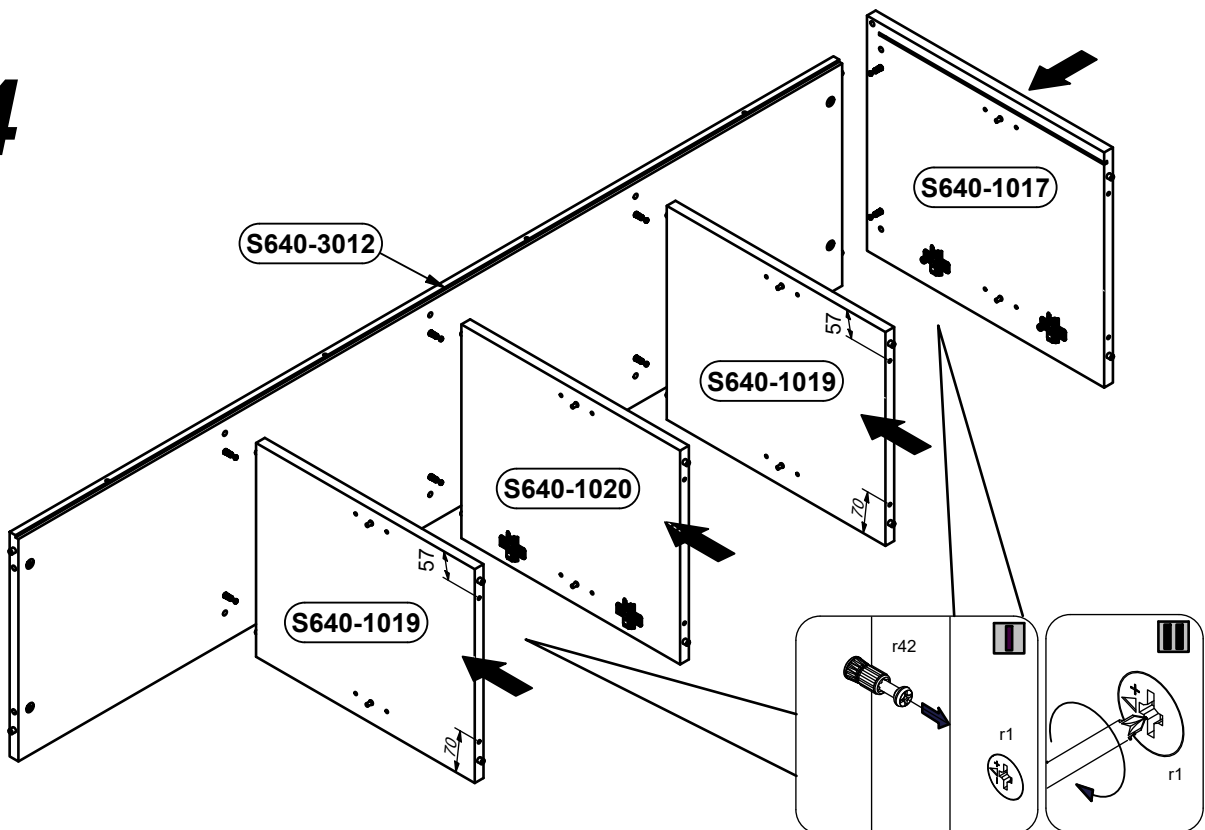
9**10**

11**12**

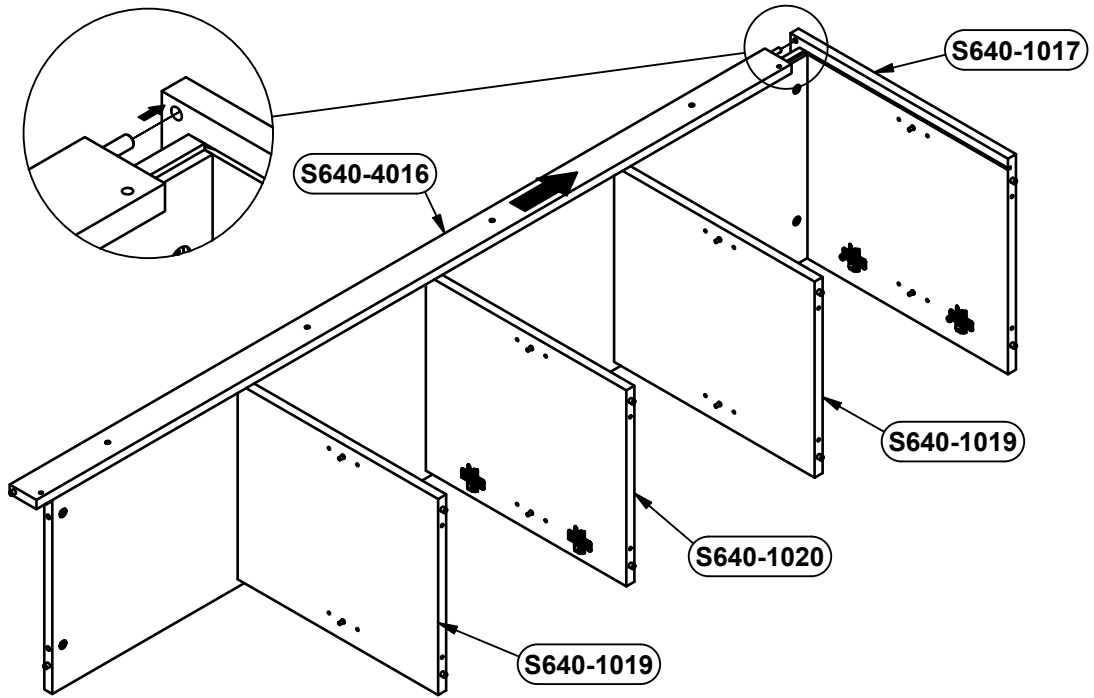
13



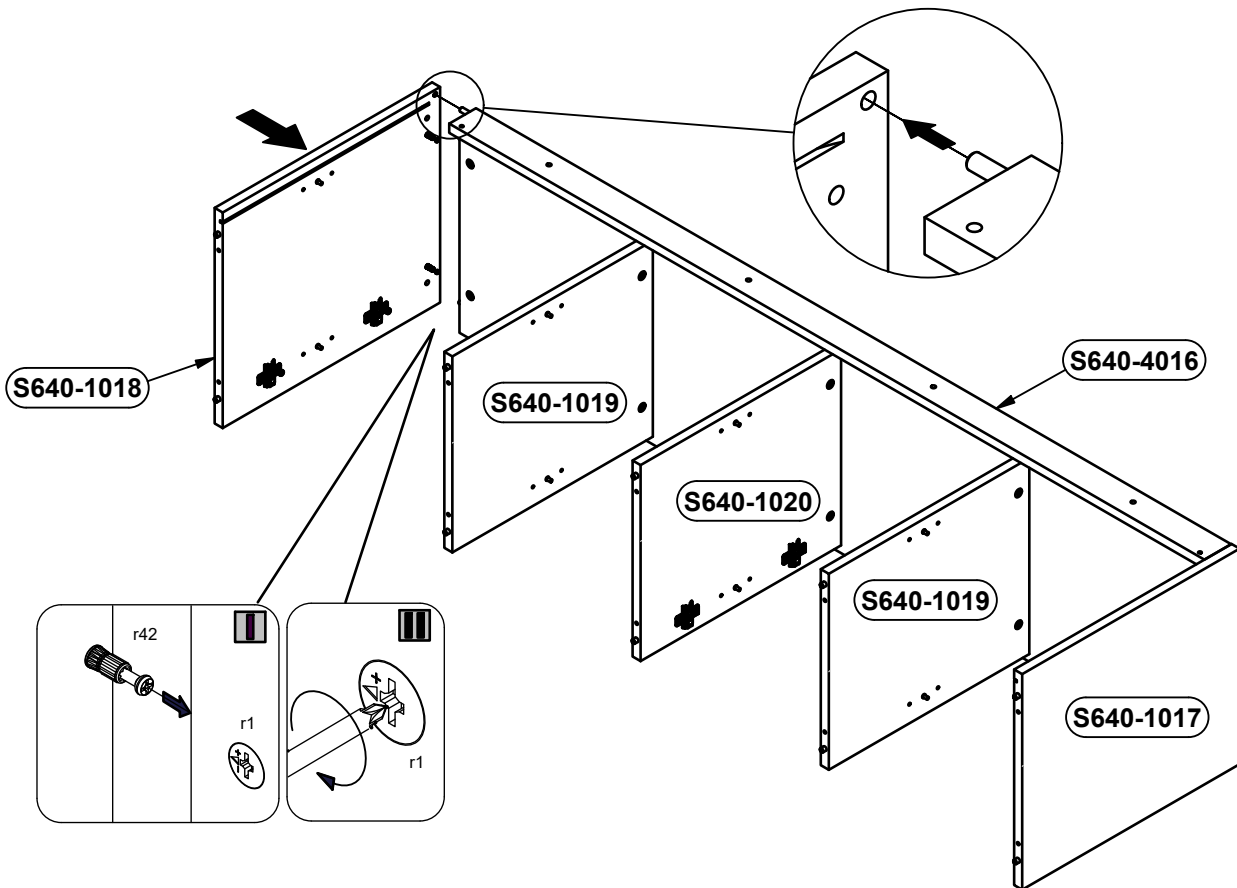
14



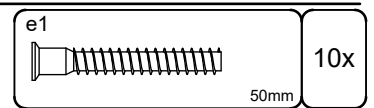
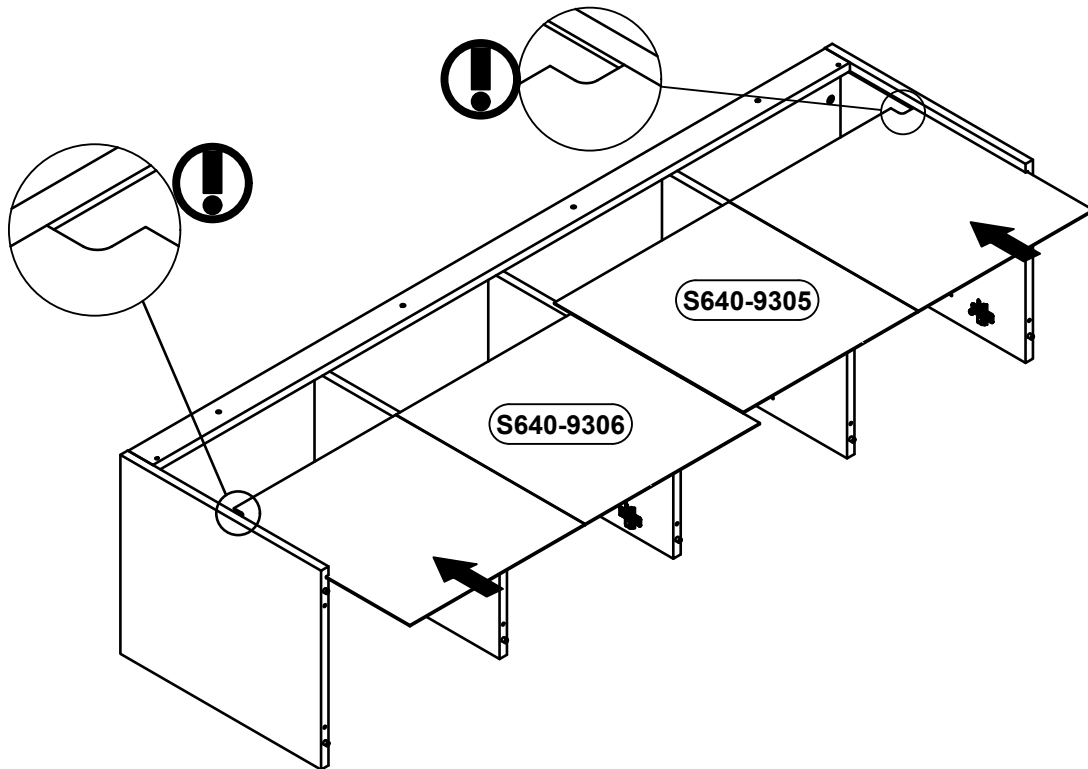
15



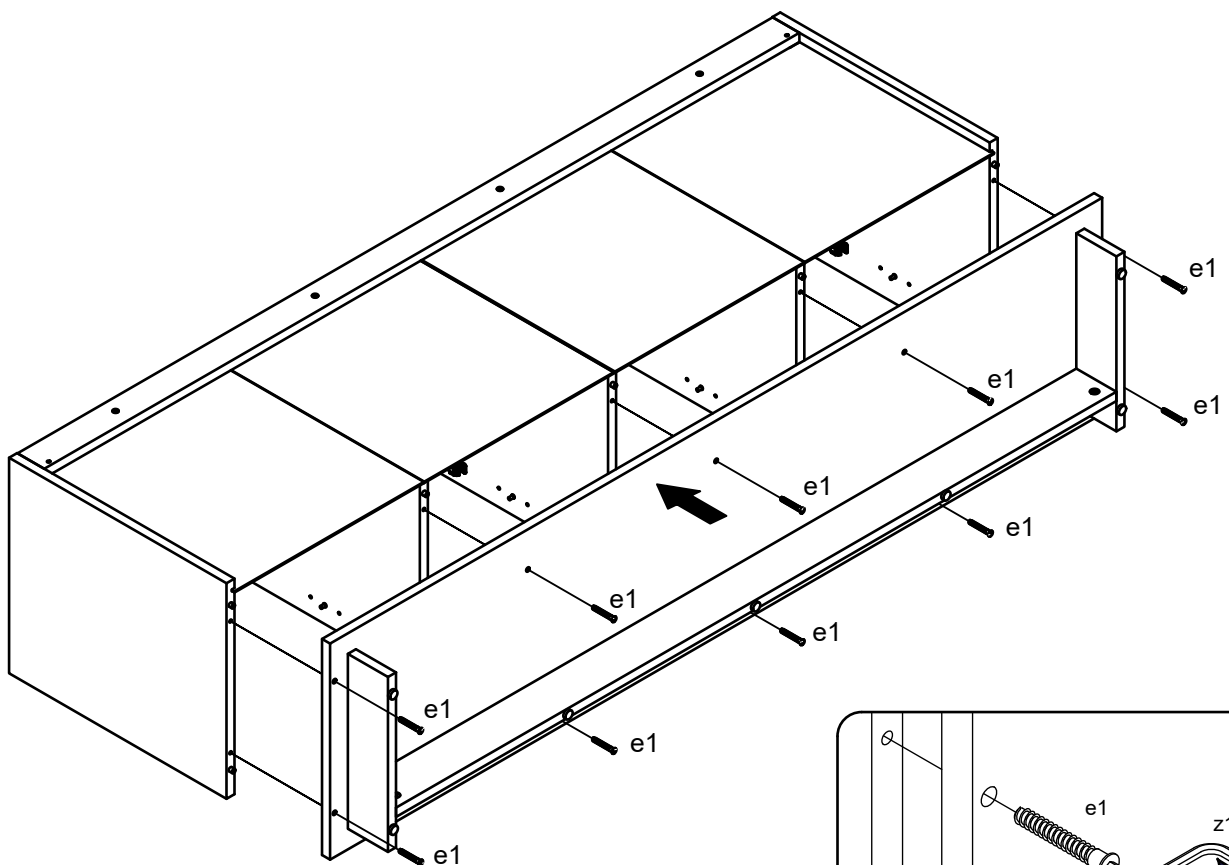
16



17

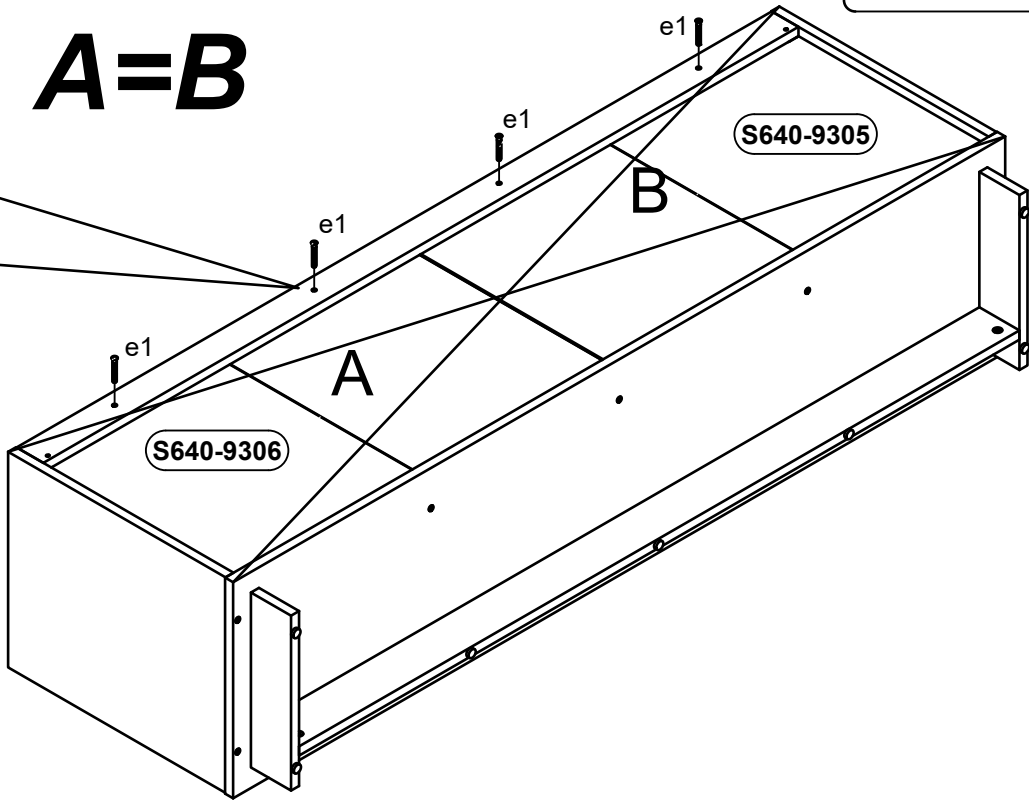
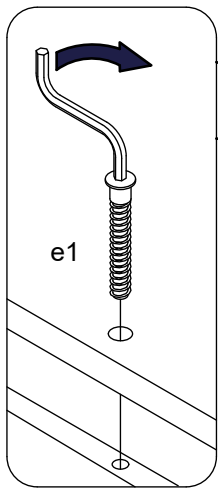
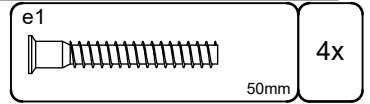


18

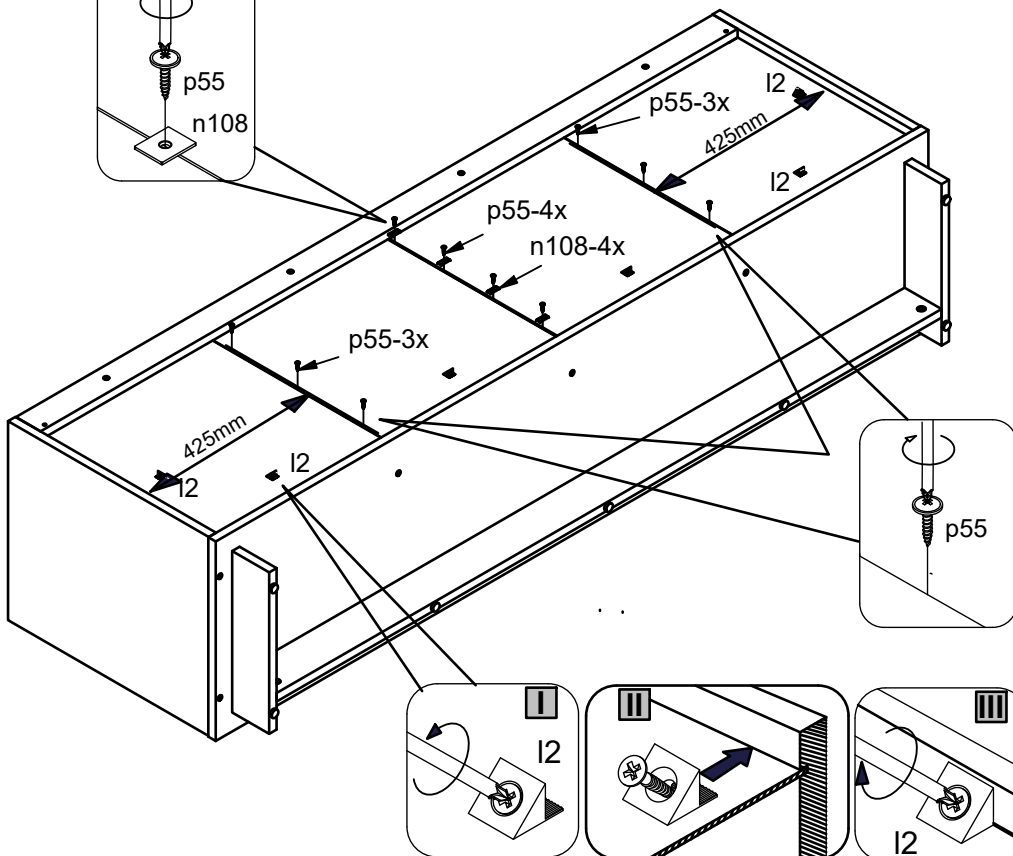
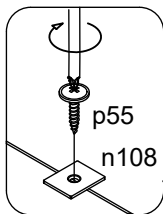
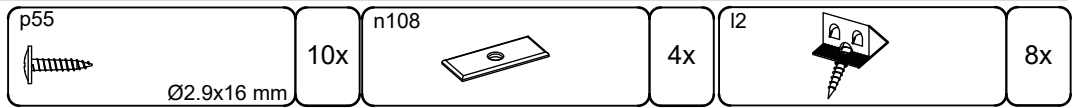


19

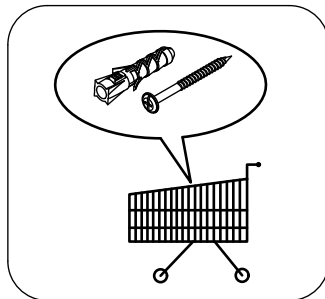
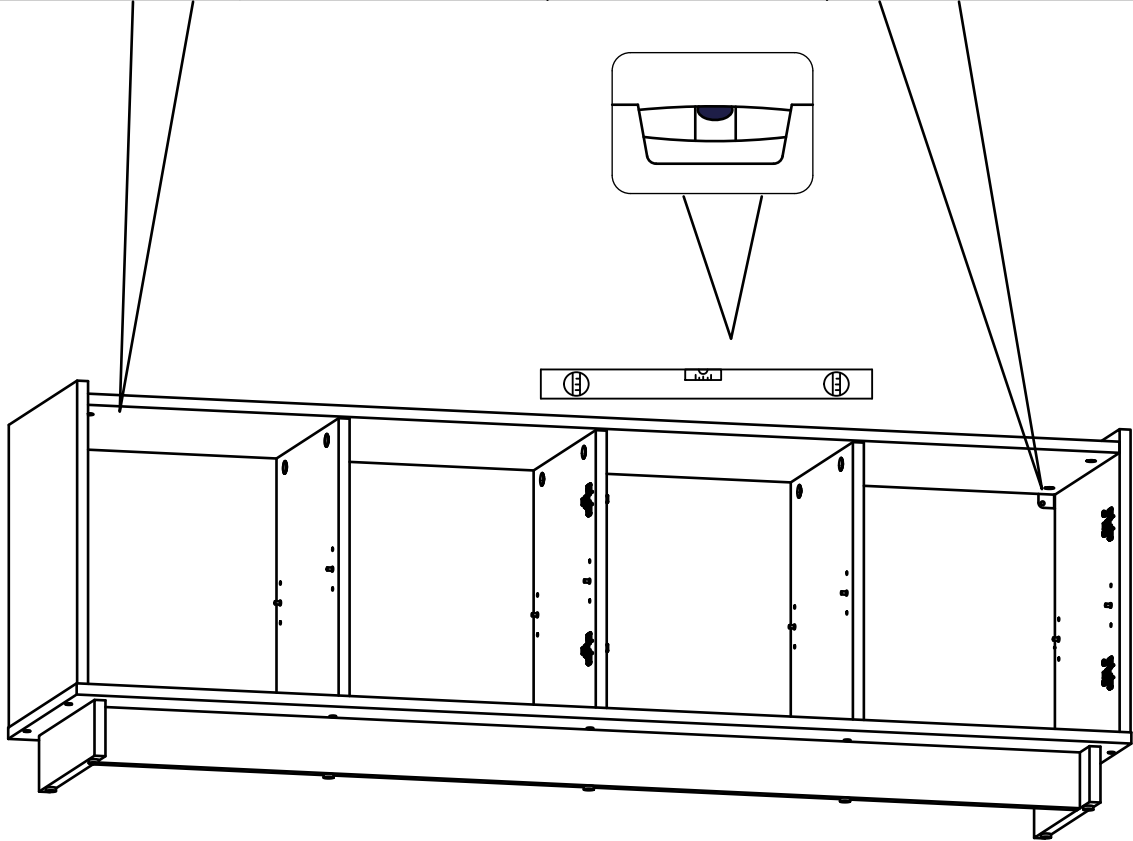
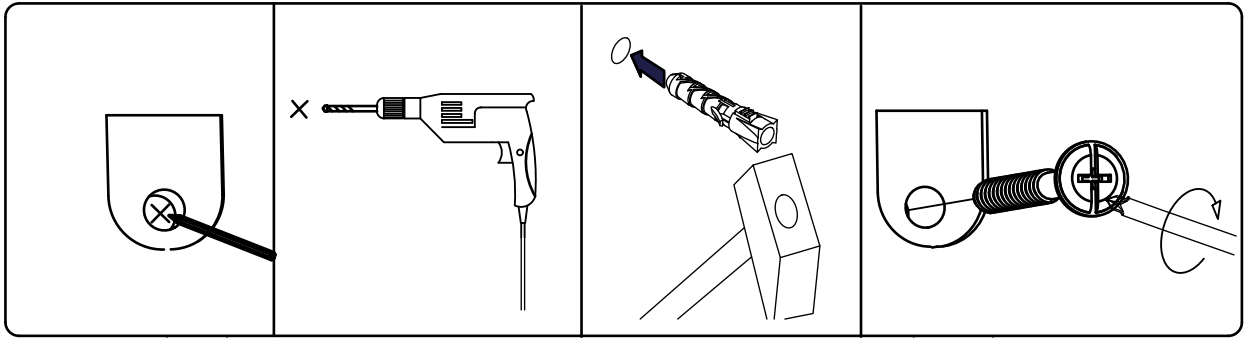
A=B





20

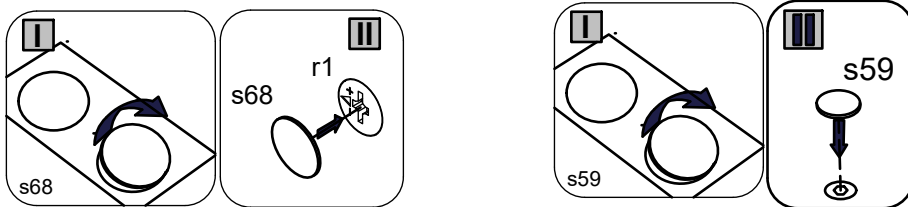
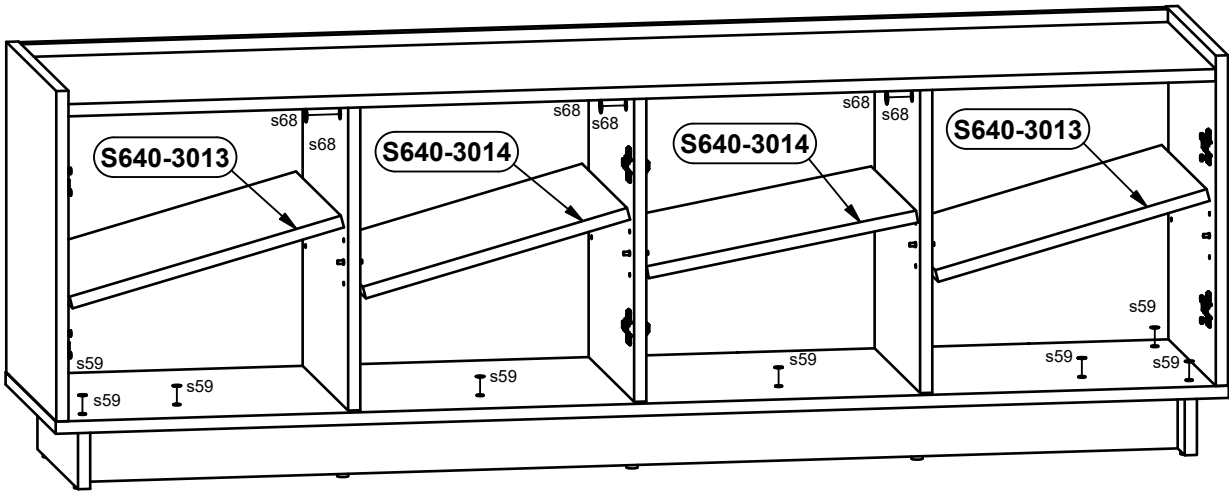


21






22

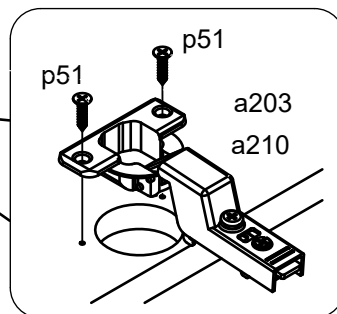
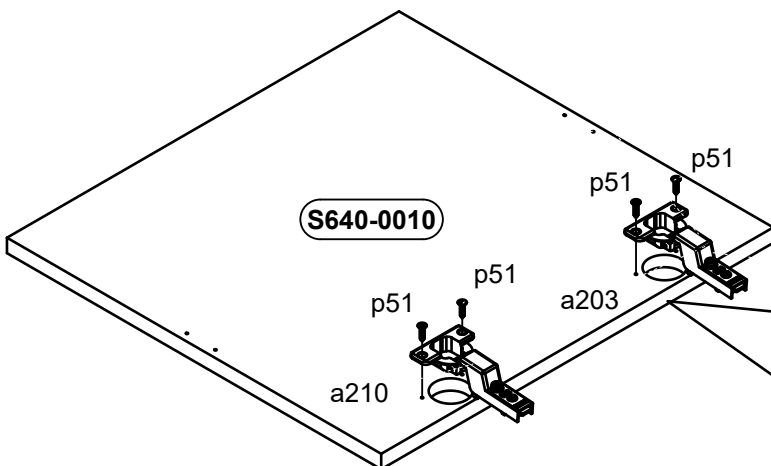
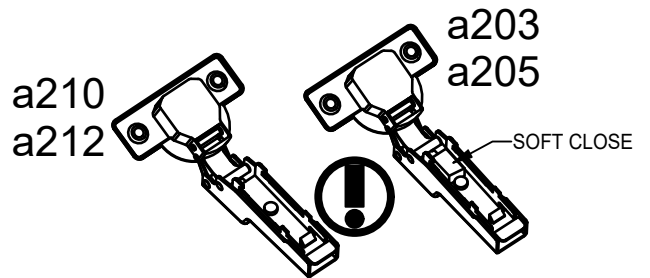
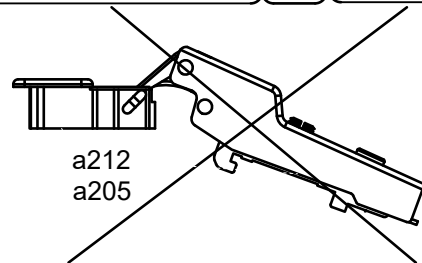
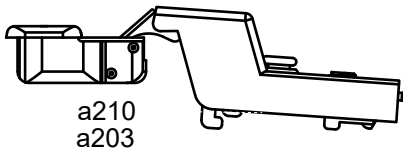
s59  Ø14mm	8x	s68  Ø20mm	6x
---	----	---	----



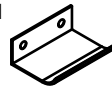
23

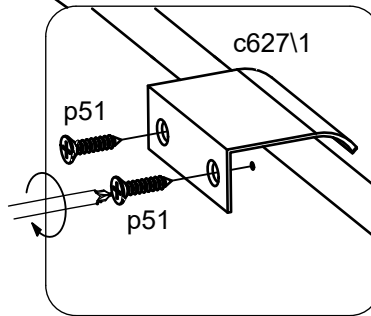
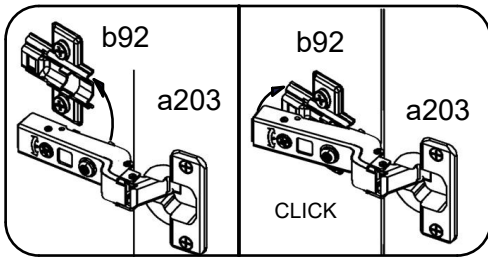
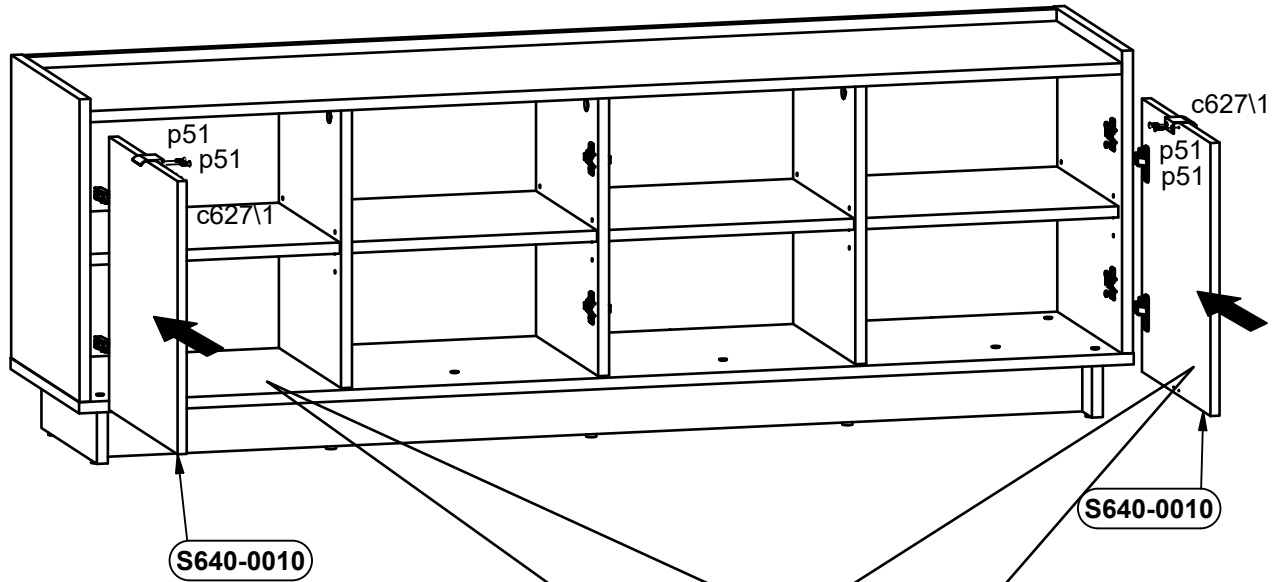
2x

p51  3.5x15mm	8x	a210 	2x	a203 	2x
--	----	--	----	---	----


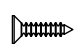



24

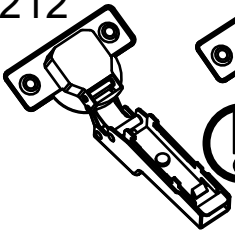
p51  3.5x15mm	4x	c627\1 	2x
--	----	---	----



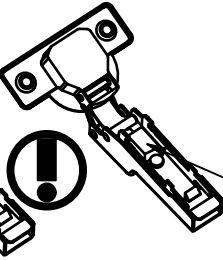
23

a212 	2x	p51 	8x	3.5x15mm	a205 	2x
---	----	--	----	----------	---	----

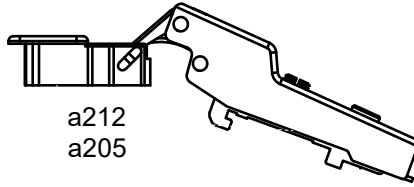
a210
a212



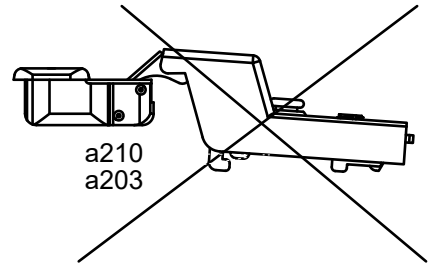
a203
a205



SOFT CLOSE

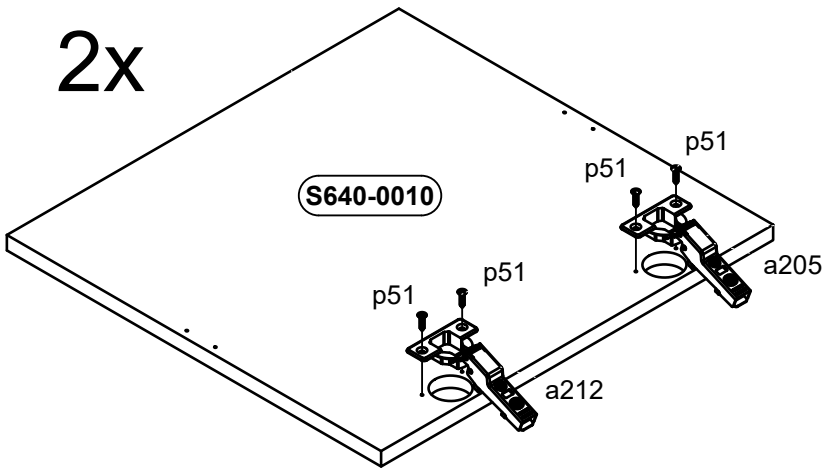


a212
a205

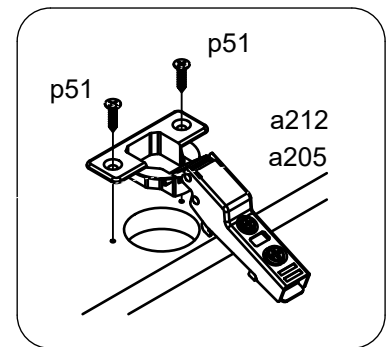


a210
a203

2x




S640-0010



p51
a212
a205

24

<p>p51</p>  <p>3.5x15mm</p>	<p>4x</p>	<p>c627\1</p> 	<p>2x</p>
--	-----------	---	-----------

