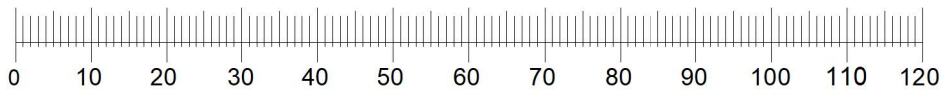
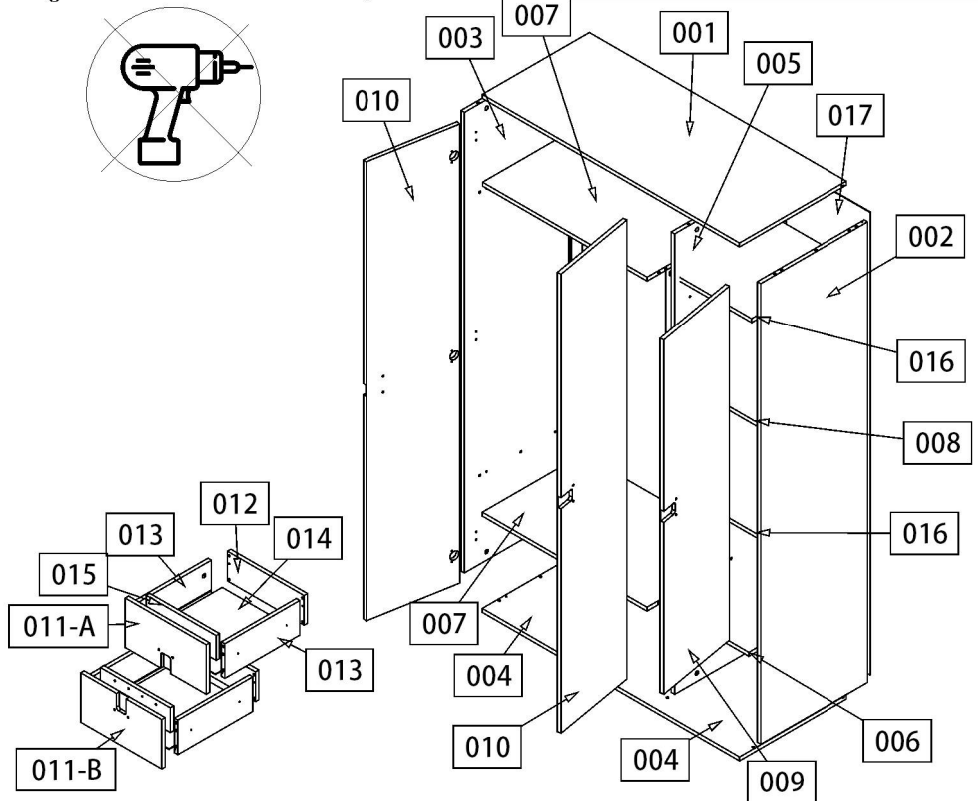
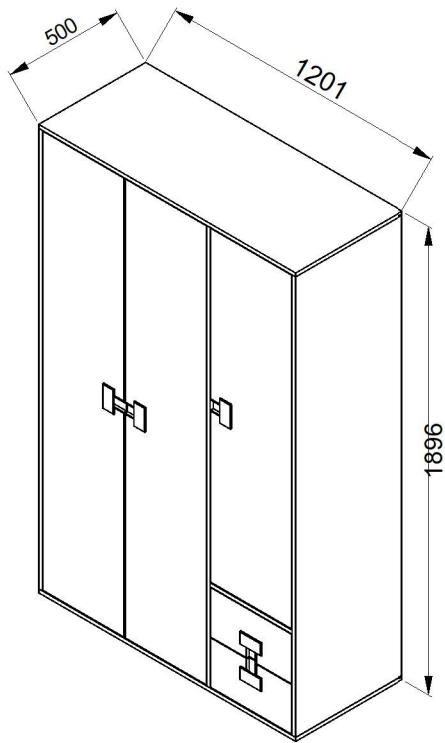
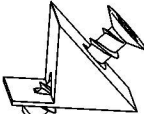
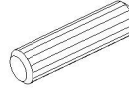
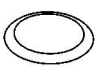
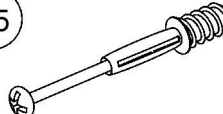


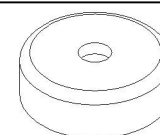
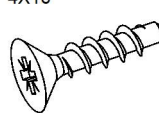
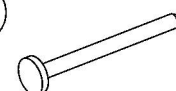
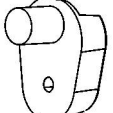

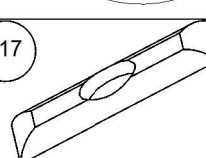
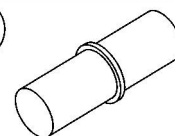
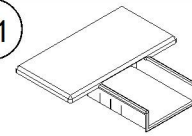
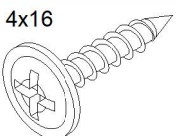
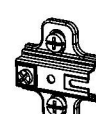
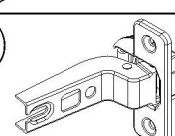

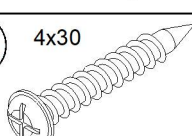
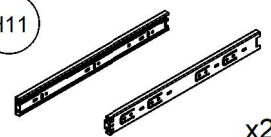
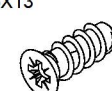
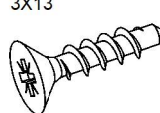
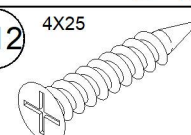


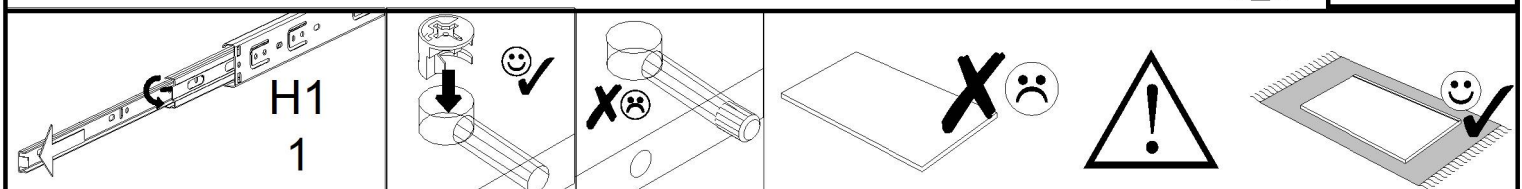
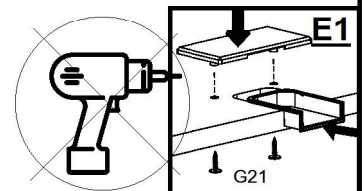
# INDEX 04



# SZAFA 120

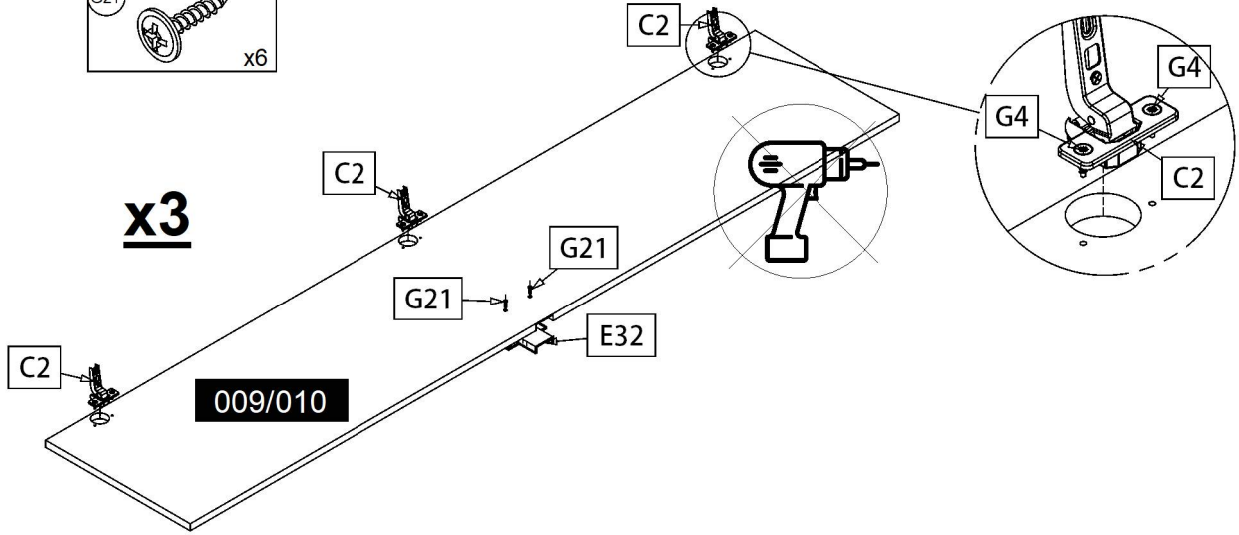
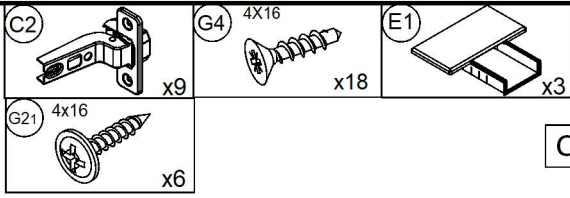


I1  x22	B7 Ø8X30  x58	K1z  x36	K5  x36	K1 Ø15X12  x36
R2  x1	P21  x6	G4 4X16  x24	W4  x45	S4  x2
S5  L=764	S17  x12	F2  x8	E1  x5	G21 4x16  x6
D1  x9	C2  x9	S1  L=1862	G8 4x30  x4	H11  x2
G20 5X13  x16	G6 3X13  x2	G12 4X25  x4		

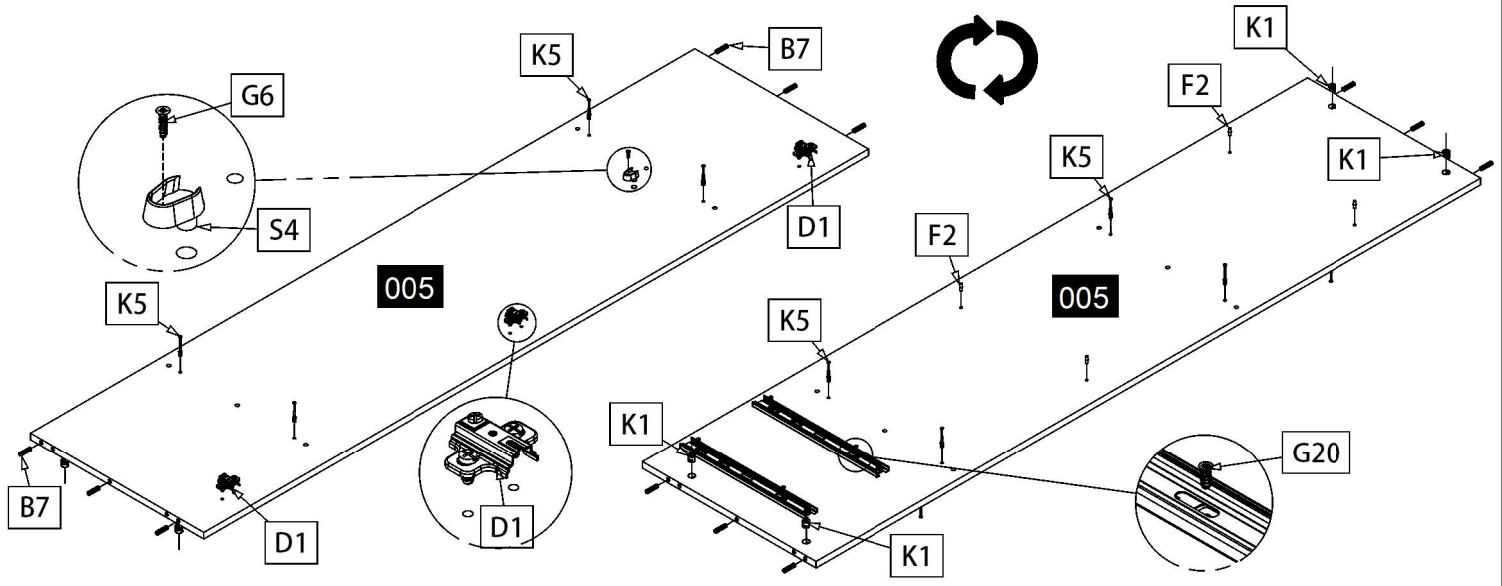
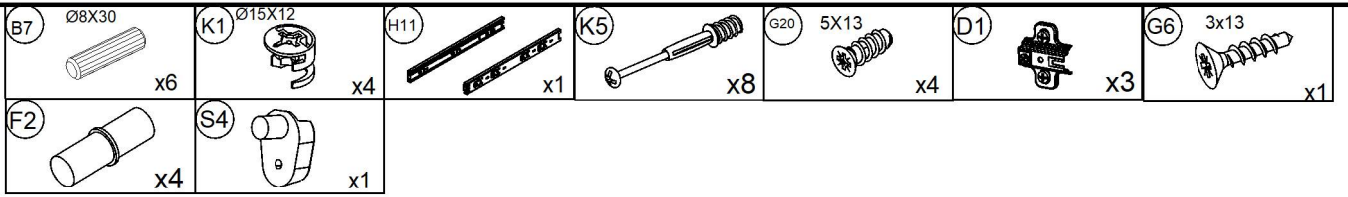




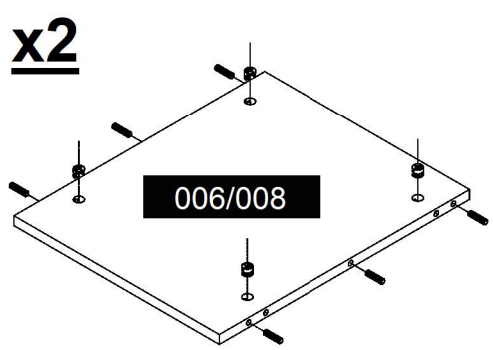
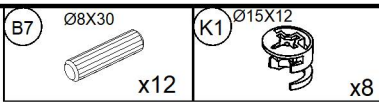
# 03



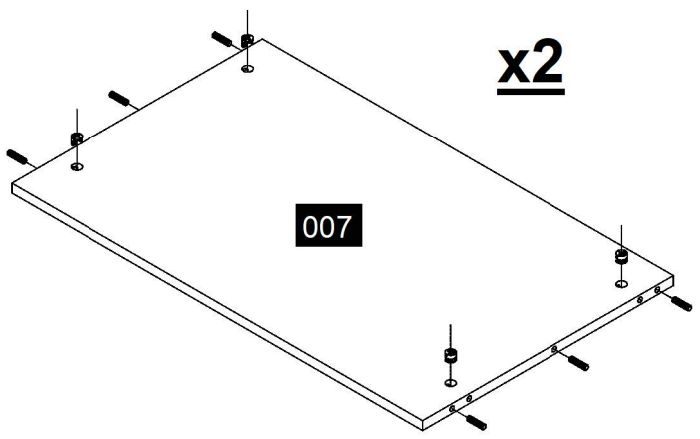
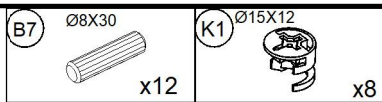
# 04



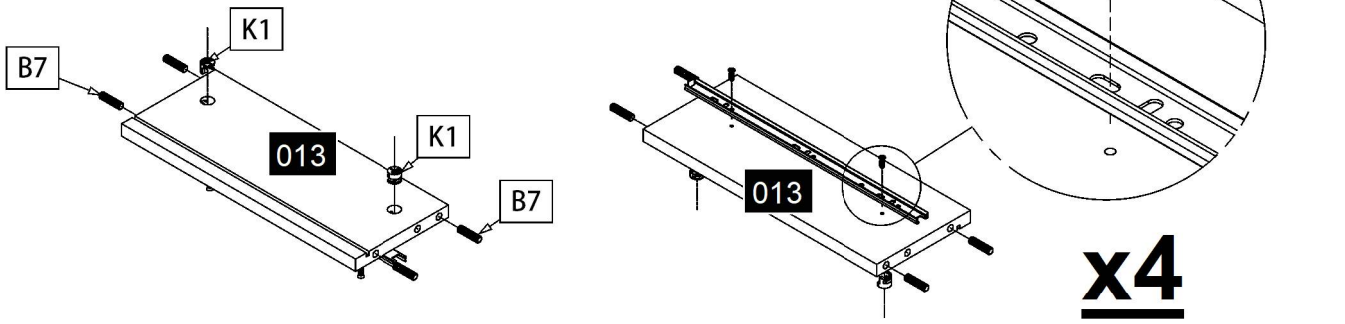
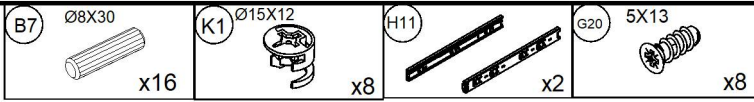
# 05



# 06

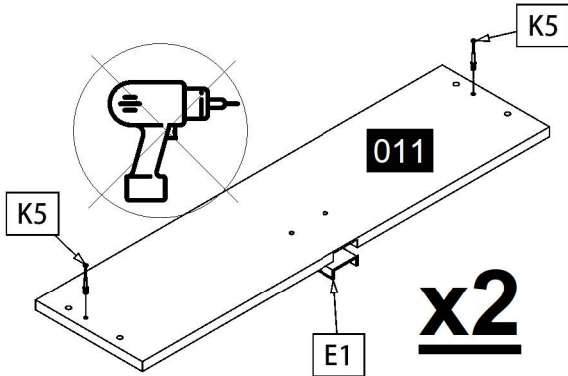
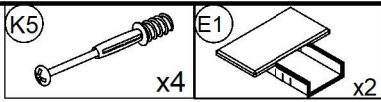


07



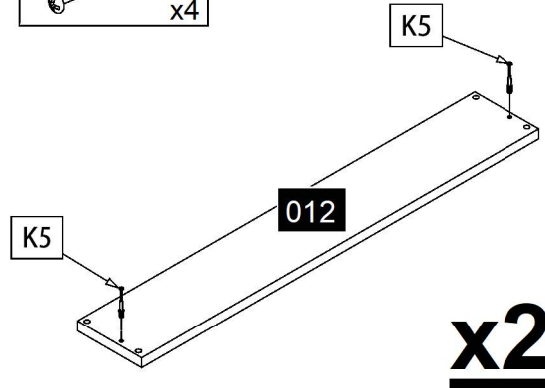
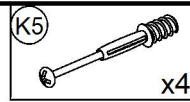
x4

08



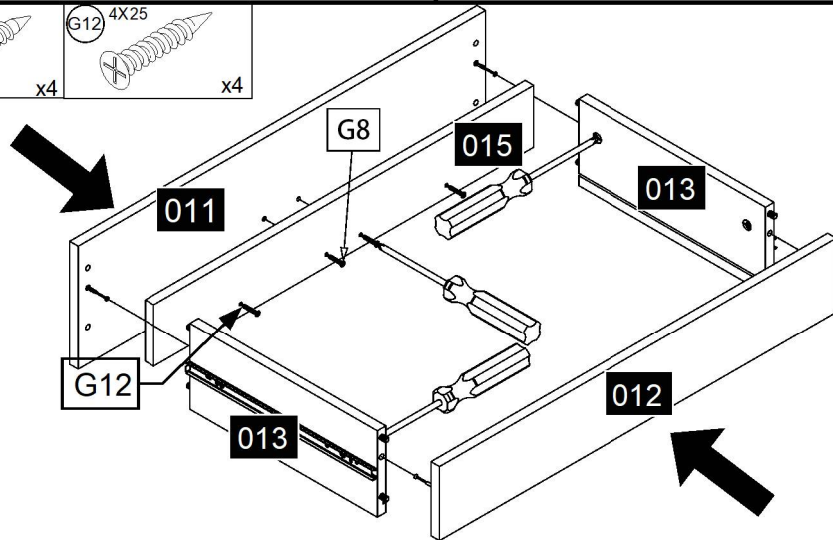
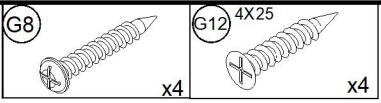
x2

09



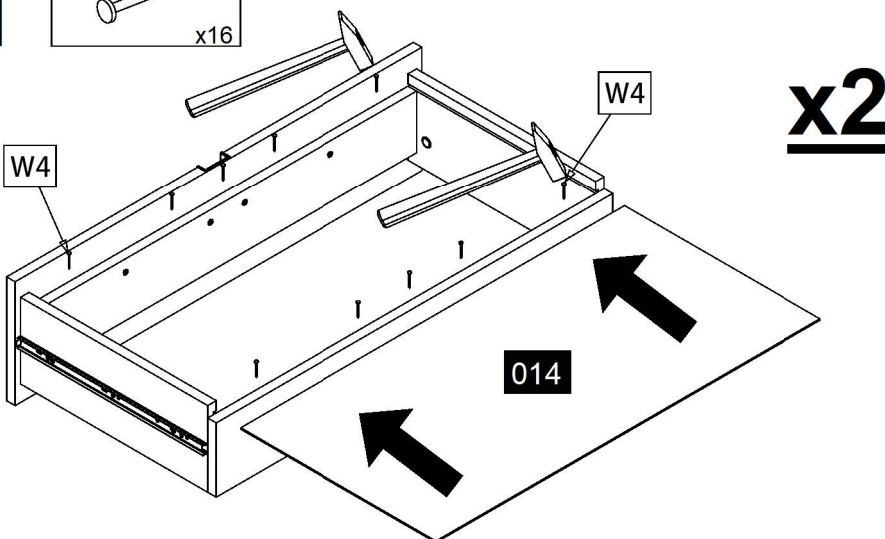
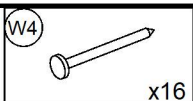
x2

10

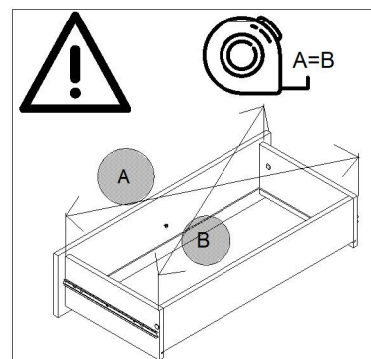


x2

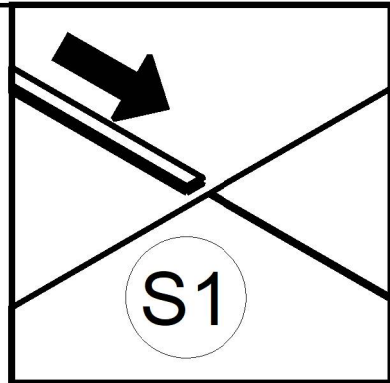
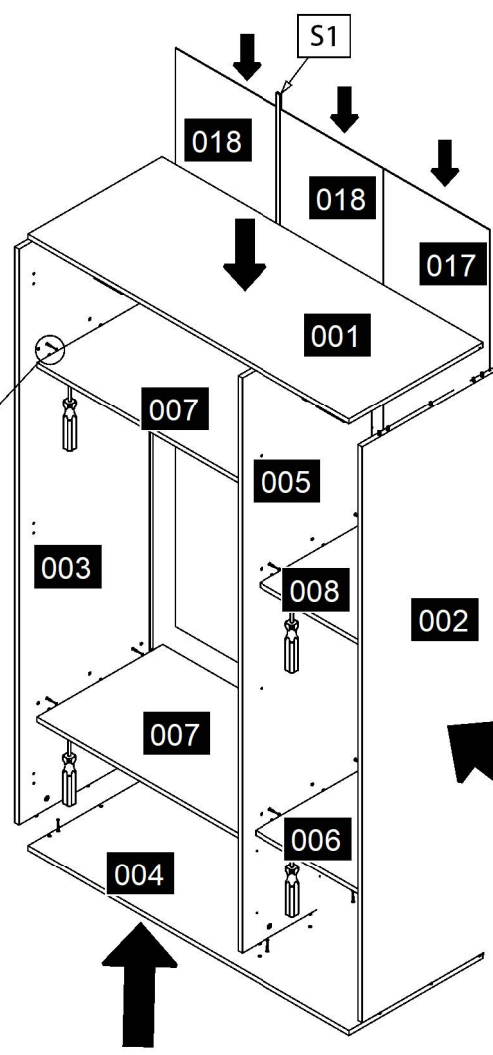
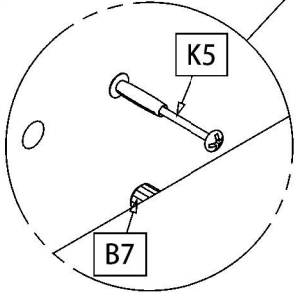
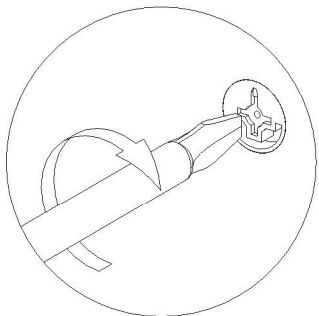
11



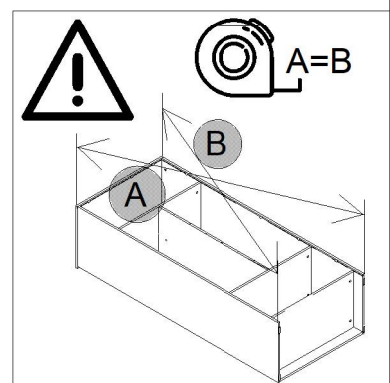
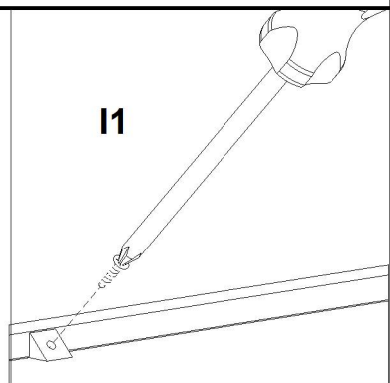
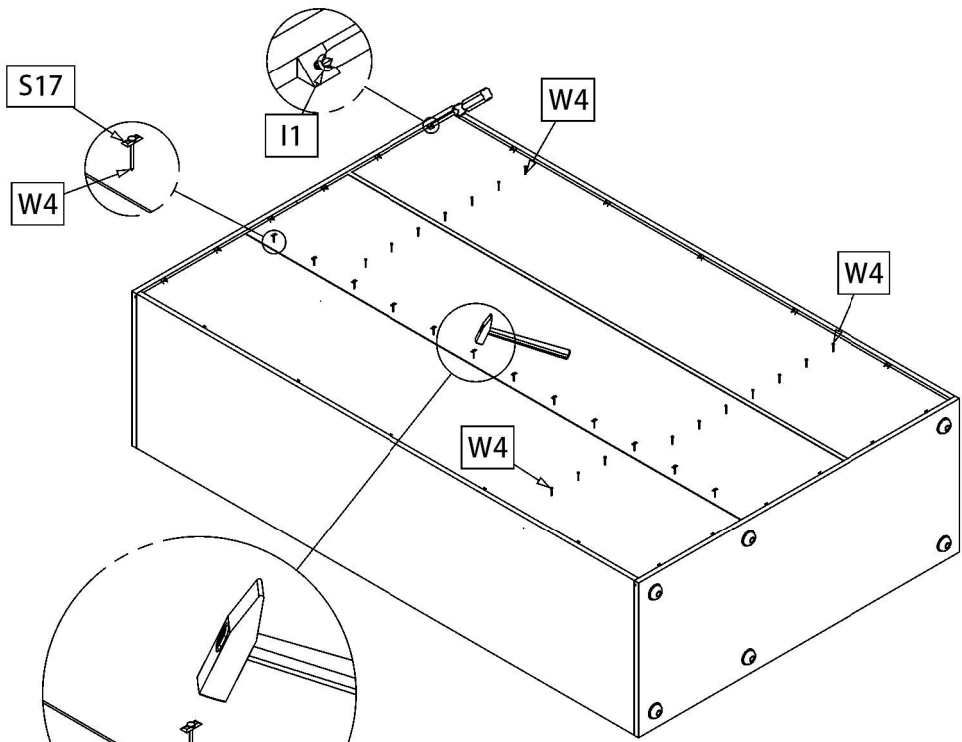
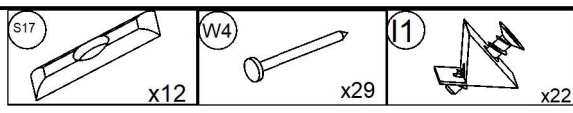
x2



# 12



# 13



14

S5

